

# PLED OPEN LED PROTECTORS – PLEDXN SERIES

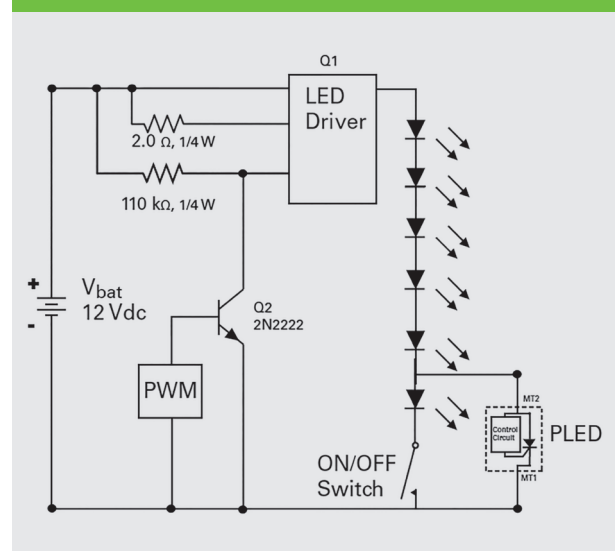


**The open LED protector provides** a switching electronic shunt path when a single LED in an LED string fails as an open circuit. This ensures that the entire LED string will continue to function even if a single LED in the string does not. This provides higher reliable lighting functions in applications such as headlights, aircraft lights, airport runway lighting, roadside warning lights, etc. This component is compatible with one watt rated LEDs with a nominal 350 mA current at 3V. The SOD-123FL package is one of the lowest height profiles (1.1 mm) packages offered in the industry.

## FEATURES & BENEFITS

- Fast switching
- Automatically resets after power cycle
- Compatible with industrial standard package SOD-123FL
- Compatible with industrial lighting environments
- IEC-61000-4-2 ESD 30 kV (Air), 30 kV (Contact)
- ESD protection of data lines in accordance with IEC 61000-4-2 (IEC 801-2)
- Low profile: maximum height of 1.1 mm
- RoHS compliant and halogen-free
- MSL: Level 1 – unlimited

## LED INTERFACE TEST CIRCUIT / APPLICATION EXAMPLE



ELECTRICAL CHARACTERISTICS (ALL PARAMETERS ARE MEASURED AT TA=25°C UNLESS OTHERWISE NOTED)										
PLED6N	P6N	Volts		uA	mA	mA	A	V	V	pF
		Min	Max	Max	Max	Max	Max	Max	Max	Max
		5.5	7.5	250	12	70	1.0 <sup>1,2</sup>	1.2	250	24

Notes: 1) Standard FR-4 PCB with Copper Pads (2mm x 2mm/pad) 2) Aluminum PCB Pads (2mm x 3mm/pad)

Contact for information: Mr. Kiraly · Tel.: +49(0)7452-6007-63 · e-mail: m.kiraly@endrich.com