

HOTSPOT PLUS LED DRIVER & EMERGENCY SYSTEM

THE POWER OF A PROGRAMMABLE LED DRIVER, THE DEPENDABILITY OF AN INTEGRATED LED BATTERY BACKUP SYSTEM



Fulham Company Europe launch a new European Spec All-in-One, LED driver, Emergency driver/inverter and battery backup. Complying with all relevant European standards, including Emergency Lighting and latest revisions, Fulham's new HotSpot Plus looks to take away the headache from emergency lighting.

The all-in-one solution eliminates typical wiring and installation nightmares usually associated with emergency lighting circuits. Hotspot Plus is one single case unit with a max. 45 W dimmable LED driver integrated with cable-clamp, loop-in/loop-out connectors for mains input and LED output connectors to the luminaire; it could not be more simple.

The extremely compact unit has an integrated, replaceable battery with 12 hour recharge and a discharge capacity to power a selectable 3 W/180 minutes or 6 W/90 minutes.

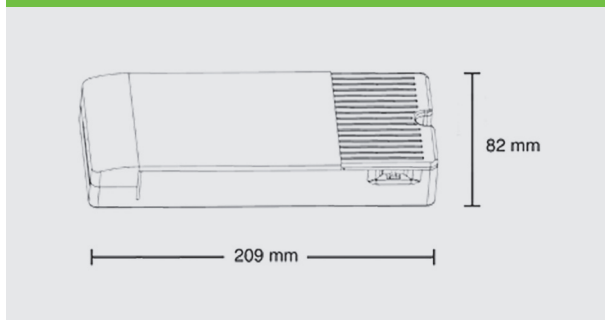
The LED driver output is programmable with a very inexpensive, quick and easy to use, hand held digital programmer. This allows you easily to select the required output current in 1 mA increments from 250 mA to 1400 mA. It means you need to keep just one single product in stock that will cover a vast number of Emergency LED requirements and will be compatible with an extensively wide range of LED luminaires.

In the event of a power outage, the un-switched/permanent live connection to the HotSpot Plus will detect the emergency and will automatically switch over to the integrated battery and emergency driver. Using a simple selector switch on the HotSpot Plus, you can pre-set the required emergency output power up to 6 W for 1.5 hours, the default being set at 3 W output for 3 hours.

FEATURES

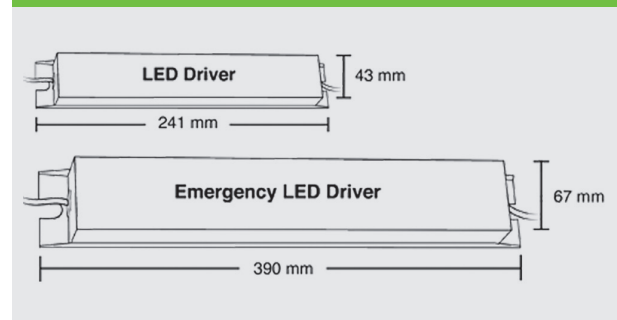
- All-in-One Unit
- 45 W Dimmable LED Driver
- Built-in Emergency Driver
- Inverter/Battery Charger
- Replaceable Integrated Battery
- Selectable Emergency Output
- Selectable Auto / Self-Test Function
- Programmable LED Driver Output
- 5 Year Warranty / 3 Year Battery Warranty

HOTSPOT PLUS



The Smallest complete Emergency LED System

TRADITIONAL EMERGENCY SYSTEM



Standard LED Driver & Emergency Driver

HOTSPOT PLUS LED DRIVER & EMERGENCY SYSTEM

Automatic self-test functionality is also included; so, if required, it's available and built-in, if it is not required, simply leave it switched off. The automatic self-test functionality fully complies with the European standards for monthly and annual test requirements.

Each HotSpot Plus comes with a dual colour, green & red LED status indicator with integrated test-switch. Static green indication will show healthy and correct operation whilst the static red indication alerts of a problem. This circular indicator / test switch is supplied on a lead and is with mounting rings to enable quick and easy installation.

Additional advanced features such as programmable dimming curve, NTC input (temperature protection) and built-in "black-box" for collection of usage data (hours operated and at what temperature for example) are also included as standard.

This compact unit is so simple to use, easy to set-up and quick to install whilst powerful and feature packed, it provides a truly all-in-one Emergency LED solution.

The HotSpot Plus All-in-One is the single stock item solution that will eliminate many of the difficulties, complications and frustrations commonly related to Emergency lighting.

HOTSPOT PLUS LED DRIVER AND EMERGENCY SYSTEM								
45	250-1400	10-55	FHSAC1-230-45CE	220 - 240 (50/60)	0-10 V	1	209 x 82 x 34	Compact w/ Terminals

SPECIFICATIONS						
>0.9	<20 %	100 - 1 %	LiFePO4	12 Hours	5 years	Illuminated test switch/AC power indicator, switchable self-diagnostics, user-selectable emergency power level HotSpot Plus LED Drive



THE POWER OF PROGRAMMABILITY



The HotSpot Plus system runs on Fulham's innovative SmartSet programming platform, giving the user the power to create the right driver for almost any almost any situation. Programming is simple, using either the handheld TPSB-100EU SmartSet controller or feature-rich SmartSet PC Software. The driver does not need to be powered during programming, and an auto-program feature allows quick, one-touch programming of multiple units with confirmation. The same programmer can also be used with Fulham's WorkHorse LED drivers, with new features constantly being added.