



Lithium Coin Cell - CR 2450 H3

- Reliable energy for your application
- Standard cells and customized packs
- ESD protection
- UL recognized
- Battery Certification Experts



RoHS compliant



Pb free



REACH compliant



Conflict mineral free

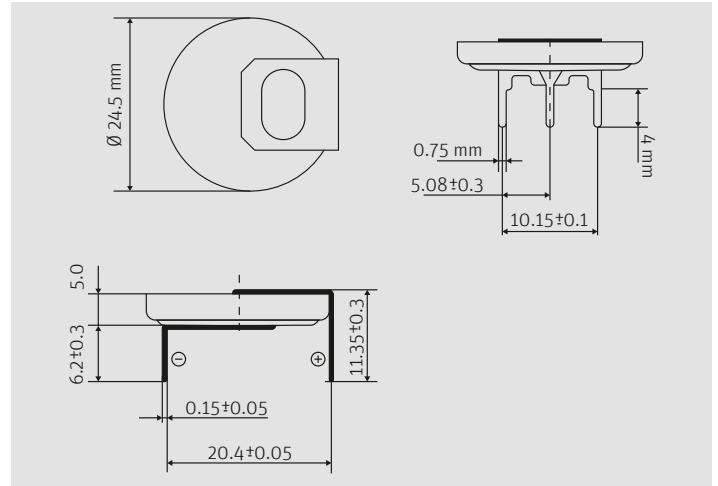
Technical Data Sheet · CR 2450 H3

SPECIFICATIONS

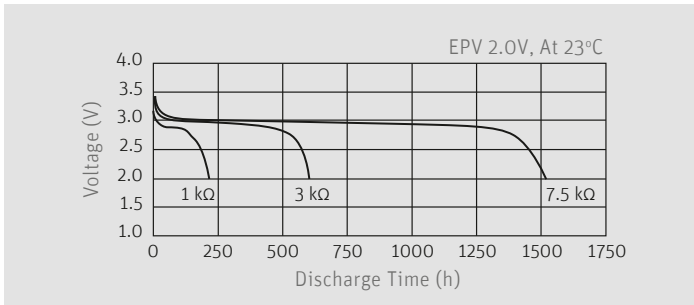
Nominal Voltage	3V
Jauch part number	247285
Nominal Capacity	610 mAh
Standard Load	7.5 kΩ
Standard Current	0.4 mA
Max. Continuous Current	4 mA
Max. Pulse Current	15 mA
Operating Temperature	-30°C to +70°C*
Weight	Approx. 7 gr.
Chemistry	Li/MnO ₂
UI1642	MH10136

* In applications where the battery is exposed to temperatures >60°C, please contact Jauch.

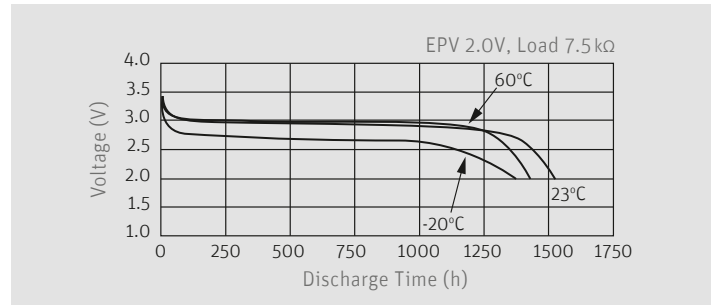
DIMENSIONS



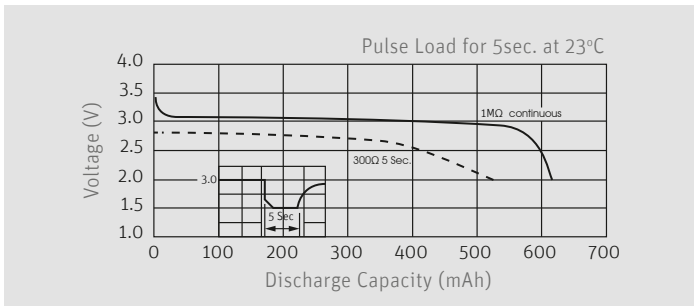
DISCHARGE CHARACTERISTICS



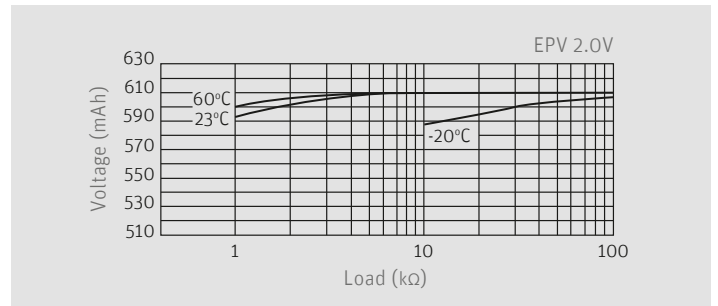
TEMPERATURE CHARACTERISTICS



PULSE DISCHARGE CHARACTERISTICS



LOAD VS: CAPACITY



Wide assortment of mounting options, including through hole, surface mount and wire terminals.

Contact Jauch for more information
batterytechnology@jauch.com