

Lithium Coin Cell - CR 2032 V3



RoHS compliant

Pb free



REACH compliant



Conflict mineral free



- Reliable energy for your application
- Standard cells and customized packs
- ESD protection
- UL recognized
- Battery Certification Experts

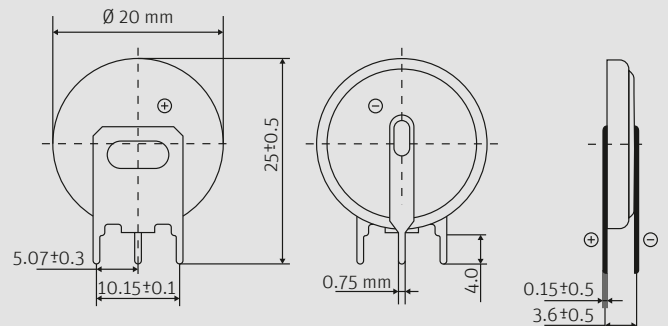
Technical Data Sheet · CR 2032 V3

SPECIFICATIONS

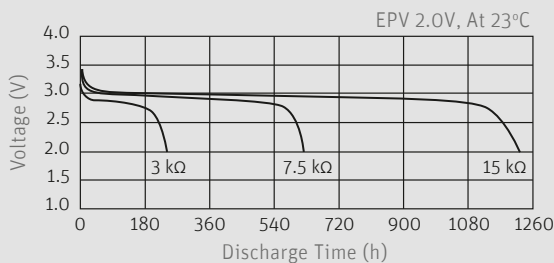
| | |
|-------------------------|---------------------|
| Nominal Voltage | 3V |
| Jauch part number | 245990 |
| Nominal Capacity | 240 mAh |
| Standard Load | 15 kΩ |
| Standard Current | 0.2 mA |
| Max. Continuous Current | 3 mA |
| Max. Pulse Current | 15 mA |
| Operating Temperature | -30°C to +70°C* |
| Weight | Approx. 3.5 gr. |
| Chemistry | Li/MnO ₂ |
| UI1642 | MH10136 |

* In applications where the battery is exposed to temperatures >60°C, please contact Jauch.

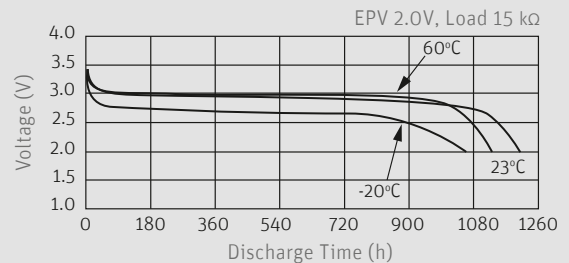
DIMENSIONS



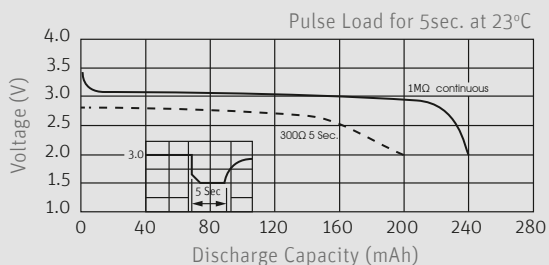
DISCHARGE CHARACTERISTICS



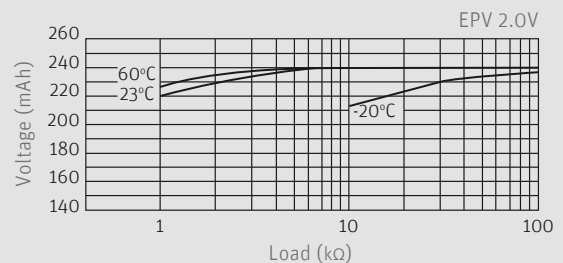
TEMPERATURE CHARACTERISTICS



PULSE DISCHARGE CHARACTERISTICS



LOAD VS: CAPACITY



Wide assortment of mounting options, including through hole, surface mount and wire terminals.

Contact Jauch for more information

batterytechnology@jauch.com