

VECO VANSONIC ENTERPRISE CO., LTD.

8F., No.7, Lane 16, Sec.2, Szechwan Road, Panchiao, Taipei Hsien, TAIWAN.

E-mail: Vansonic@ms4.hinet.net Homepage: <http://www.veco.com.tw>

TEL: +886-2-8966 6335 FAX: +886-2-8966 5220

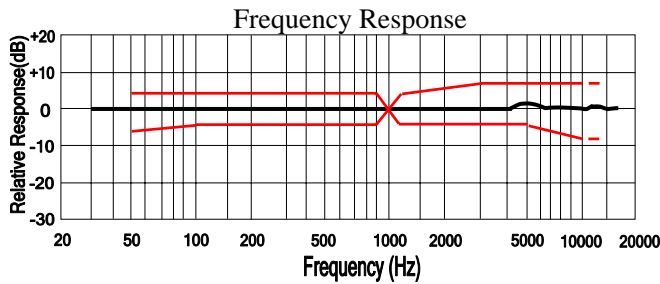
1. Scope This specification applies back electret condenser microphone

2. Model No. PVM-6027B-9423S

3. **Name:** Omnidirectional Back Electret Condenser Microphone (Temp=20±2°C Room Humidity=65±5%)

No	Parameter	Symbol	Condition	Limits			Unit
				Min.	Center	Max.	
3.1	Sensitivity	S	0dB=1V/Pa, at 1kHz	-45	-42	-39	dB
3.2	Output impedance	Z out	f=1kHz			2.2	K Ω
3.3	Current Consumption	I _{DSS}	V _{CC} =3.0V, R _L =2.2K Ω			500	μA
3.4	Signal to Noise Ratio	S/N	at 1kHz S.P.L=1Pa (A-Weighted Curve)	58			dB
3.5	Decreasing Voltage	Δ S-VS	V _{CC} =1.0V to3.0V			-3	dB
3.6	Operating Voltage			1.0		10	V
3.7	Maximum input S.P.L					110	dB

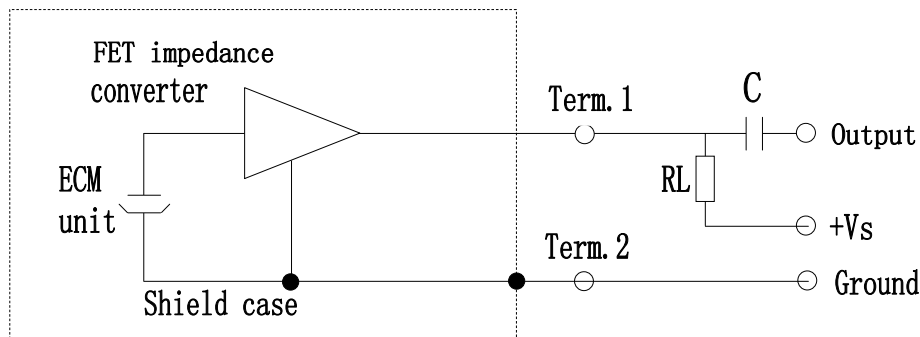
3.8 Typical Frequency Response Curve



Microphone Response Tolerance Window

Frequency(Hz)	Lower Limit(dB)	Upper Limit(dB)
50	-6	+3
100	-3	+3
800	-3	+3
1000	0	0
1200	-3	+3
3000	-3	+8
5000	-3	+8
10000	-8	+8

3.9 Measurement Circuit



Explain

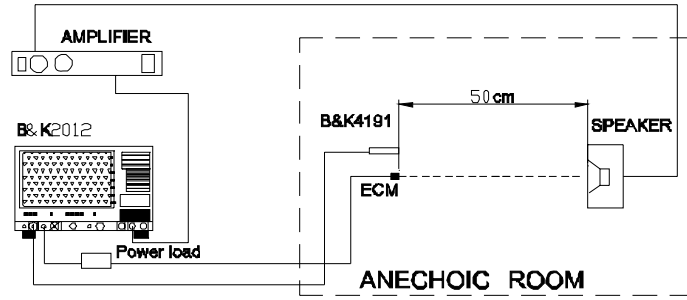
R_L=2.2K Ω

V_s =3.0V

C=1μF

4.

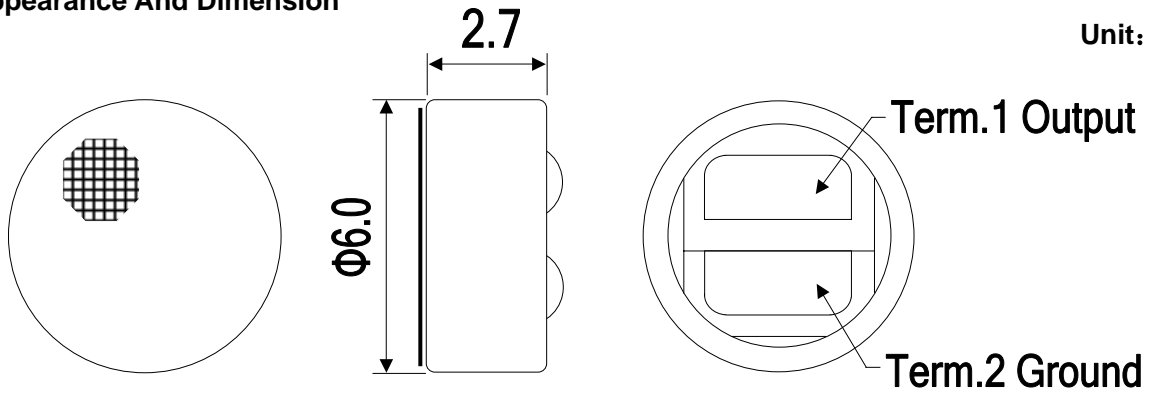
Test Setup Drawing



5

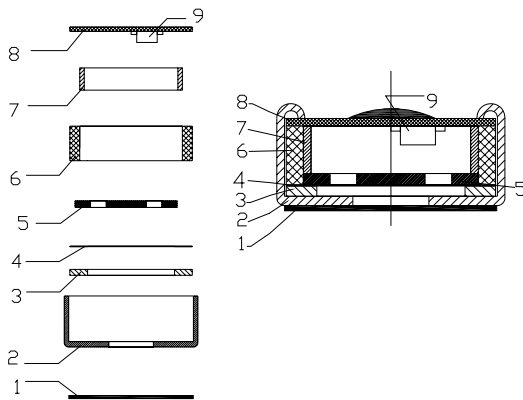
Appearance And Dimension

Unit: mm



6.

Drawing

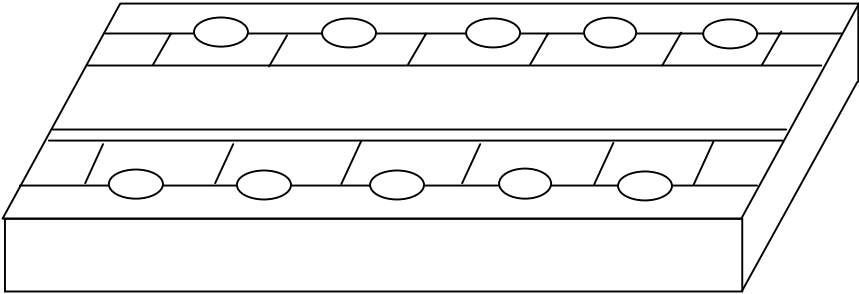


9	FET		1	2SK3857/202
8	P.C.B		1	FR-4
7	Copper ring	Copper tube	1	
6	HOUSPING CHAMBER	Gather formaldehyde	1	
5	ELECTRET	Copper blank	1	
4	SPACER	Mylar	1	
3	POLARIZED DIAPHRAGM	DUPONT	1	
2	CASE	AL	1	
1	FELT	Fabric cloth	1	
No.	Name	material	QTY	Remark

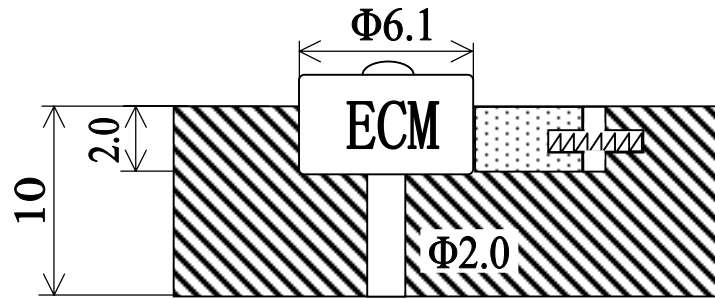
7.

Temperature Conditions

Storage Temperature Range	Operation Temperature Range
-40°C ~ +75°C	-40°C ~ +75°C

8.	<p>Terminal Mechanical Strength</p> <p>Terminal mechanical strength to be no interference in operation after pulled the terminal with 1kg strength for 1 minute.</p>
9.	<p>Reliability Test</p> <p>After any following tests, the sensitivity of the microphone to be within $\pm 3\text{dB}$ of initial sensitivity after 3hours of conditioning at 20°C.</p> <p>9-1 Vibration</p> <p>Frequency1 : 10Hz~55Hz Amplitude : 1.52mm Change of Frequency : 1 octave/min 2 hours in each of 3 axes</p> <p>9-2 Dry Heat / Cold +70°C / -20°C for 72 hours</p> <p>9-3 Damp Heat 90%~95%RH,+40°C for 240 hours</p> <p>9-4 Temperature Cycles -20°C \longleftrightarrow 25°C \longleftrightarrow 70°C \longleftrightarrow -20°C (2h) (1h) (2h) (1h) (2h) (2h) \times 10 cycles</p> <p>9-5 Packing Drop Test Height: 1m Procedure: 5 times from each of 3 axis's</p>
10.	<p>Soldering Condition</p> <p>10-1 The soldering copper of a small type of 13~20W shall be applied.</p> <p>10-2 The temperature of the working surface of the soldering copper shall be below 320°C.</p> <p>10-3 ECM shall be soldered fixed on the metal block (heat sink), which has the higher radiation effects said heat sink shall contact with of ECM.</p> <p>10-4 The soldering time for each terminal shall be 1~2 sec.</p> <p>10-5 The pinhole after soldering shall be avoided.</p> <p>10-6 ECM may easily destroyed by the static electricity and the countermeasure for eliminating the static electricity (the ground for soldering copper, for worktable and for human body) shall be executed.</p> <p>10-7 Heat Sink</p> <p>Shape of heat sink</p> 

Shape of hole at fixed part



11.

Packing Table In Detail

DIMENTION:(LENGTH*WIDTH *HEIGHT)

- a) AVOID STATIC BAG:
100mm*100mm*2mm
- b) SMALL PACKET
100mm*100mm*5mm
- c) MID PACKET:
205mm*105mm*50mm
- d) PAPER CASE:
550mm*230mm*235mm

EQUIPMENT

- e) ADHENSIVE TAPE MACHINE
- f) AUTO PACKER

PACKING INTRODUCTION

- g) 100PCS/ INHALE PLASTIC BOX
- h) 1000PCS/MID PACKET
- i) 20000PCS/PAPER CASE

QUALITY INTRODUCTION

- j) 1PC=0.2g
- k) NET WEIGHT
PAPER CASE: 4.0kg
GROSS WEIGHT: 6.0kg

LABEL STIPULATION

LABELEDEVERY BOXES(SEE THE CHART)
b.DIMENSIONS SHOULD BE SEEN EASILY

