

Programmable thermal resistance isolators



FEATURES

- 3-port electrical isolation between input, output and power supply(3kVDC)
- Ultra-slim 12.5mm case
- High accuracy (0.1% Full Scale)
- High linearity (0.1% Full Scale)
- Extremely low temperature coefficient (0.05°C/°C)
- Low-power dissipation
- Excellent EMC performance
- Mini USB port communication
- Input / Output range programmable
- Proven reliability with MTBF >500,000 hours

TR1x0PWE series thermal resistance isolator which are mainly applied in industrial automation systems can isolated convert thermal resistance input signal of the industrial field instruments to the matched analog output signal for the DCS/PLC, realizing the acquisition and transmission of field signal.

An independent power supply is needed for the product and the port of power supply, input and output are isolated from each other. This series of products contain combinations of 1 input 1 output, 1 input 2 output, 2 input 2 output and so on. The thickness of 12.5mm meet the need for high density field installation.

Connection of field devices and the regions:
2-wire, 3-wire thermal resistance

Selection Guide

Output Type	Single Input/Single Output
Current Output	TR100PW
	TR100PWE-WL
Voltage Output	TR140PW

Input Signal: programmable (2-wire system or 3-wire system input)

Model	Signal Type	Measuring Range	Min. Measuring Range
TR100PWE	Pt100	-30°C to +70°C	--
TR100PWE-WL		-60°C to +120°C	--
TR140PWE	Pt100	-200°C to +850°C	50°C
	Cu50	-50°C to +150°C	50°C
	Cu100	-50°C to +150°C	50°C

Output Type	Output Signal
Current Output	4~20mA
Voltage Output	0~5V / 0~10V / 1~5V / 2~10V (programmable)

- Notes:
1. Customers need to determine the type of input signal, measuring range and form of output signal while placing an order, customization is available for special requirements.
 2. The auxiliary USB adapter model is T-01; please contact our technical staff for specific information.

Input Specifications

Item	Operating Conditions	Value
Power Supply Input	Input Power	18-30VDC (Typical value 24VDC)
	Power Dissipation	Single input/ single output <1.2W
	Power Supply Protection	Input reverse polarity protection

Field Area	Input Signal	See List of Product Models
------------	--------------	----------------------------

Output Specifications

Item	Operating Conditions	Value	
Control Area	Output Signal	See selection guide	
	Load Capacity	Output current maximum	≤ 500 Ω
		Output voltage maximum	≥ 1MΩ
	Communication Port		Mini USB port
	Communication Protocol		See <i>MORNSUN Modbus Bus Protocol Rules</i> for details
	Fault Output		
	Output Type	4~20mA 0~20mA 1~5V	0~5V 0~0V 2~10V
	Input Disconnection	About 23mA About 23mA	About 5.75V About 5.75V About 11.5V About 11.5V
	Input Over-range Lower Limit	3mA 21mA	0.75V 5.25V 10.5V 1.5V
	Input Over-range Upper Limit	22mA 22mA	5.5V 5.5V 11V 11V
	Disconnection Alarm	Red light on	
	Over-range Alarm	Red light flash	

Transmission Specifications

Item	Operating Conditions	Value
Accuracy	Full-scale range, 100% load, @25℃	0.1%Full Scale or 0.5℃, take the larger one
Zero Offset	Sin = 0, 100% load, @25℃	0.1%Full Scale or 0.5℃, take the larger one
Temperature Coefficient	Operating temperature range of -25 to +71℃	0.05℃(Sampling deviation) / ℃(Ambient temperature)
Output Signal Rise Time	Measured from 10% to 90% of the full signal amplitude	<0.5s
Output Signal Fall Time	Measured from 90% to 10% of the full signal amplitude	<0.5s

General Specifications

Item	Operating Conditions	Value
Electric Isolation	1Min leakage current ≤5mA	Field area and control area 2000VAC/3000VDC
		Output and power supply 3000VDC
Isolation Resistance	Signal input terminal, Signal output terminal	100MΩ, 500VDC
Operating Temperature		-25 to +71℃
Transportation and Storage Temperature		-40 to +85℃

Mechanical Specifications

Case Material	Retardant material UL94-V0
Safety Class	IP20(IEC60529 / EN60529)
Vibration Class	IEC61373:1999
Package Dimensions	35mm DIN-rail package: T-rail card package (DIN50022), pluggable connection pin, 12.5mm wide
Weight	88.0g.(Typ.)
Cooling Method	Free air convection

Electromagnetic Compatibility (EMC)

Emissions	CE	GB/T24338.4-2009 0.15MHz~0.5MHz, QP limits 79dB μV, 0.5MHz~30MHz, QP limits 73dB μV
	RE	GB/T24338.4-2009 30MHz~230MHz, QP limits 40dB μV/m, 30MHz~1000MHz, QP limits 47dB μV/m
Immunity	ESD	GB/T24338.4-2009 Contact ±6KV/Air ±8KV perf. Criteria B
	RS	GB/T24338.4-2009 10V/m perf. Criteria A
	EFT	GB/T24338.4-2009 power supply port ±2KV, 5kHz perf. Criteria B
		GB/T24338.4-2009 signal port ±2KV, 5kHz perf. Criteria A
	Surge	GB/T24338.4-2009 power supply port ±2KV perf. Criteria B

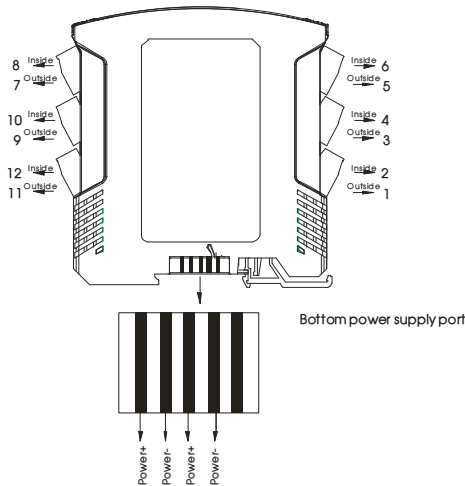
		GB/T24338.4-2009 signal port $\pm 2kV$ (line-to-ground)	perf. Criteria B
CS		GB/T24338.4-2009 10 Vr.m.s	perf. Criteria A

Application Precautions

1. Carefully read and follow the instructions before use; contact our technical support if you have any question;
2. Do not use the product in hazardous areas;
3. Use only DC power supply source for this product and 220V AC power supply is prohibited;
4. It is strictly forbidden to disassemble the product privately in order to avoid product failure or malfunction.

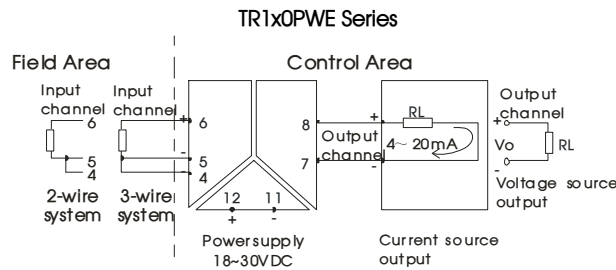
Design Reference

1. Wiring diagram for product application



PIN	Description (double input double output)
1	NC
2	NC
3	NC
4	L1C Signal 1 input line C
5	L1B Signal 1 input line B
6	L1A Signal 1 input line A
7	So1- Signal 1 output-
8	So1+ Signal 1 output+
9	NC
10	NC
11	Power- power input-
12	Power+ power input+

Note: When use bottom power supply, anyone group or both is OK.



- ① Use dismantable terminals for instrument wiring, easy to operate;
- ② The sectional area of conductor is 0.5mm²-2.5mm²;
- ③ The length of conductor exposed is 8mm and is fastened by M3 bolts.

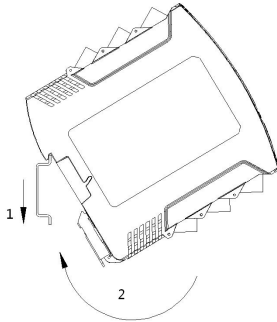
2. For additional information please refer to application notes on www.mornsun-power.com

Installation & Removal

Installation

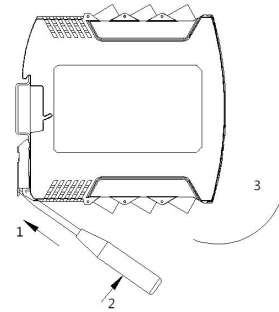
Standard 35mm DIN rail installation:

1. Insert top of Module into DIN rail;
2. Push bottom of Module into rail until it snaps in.

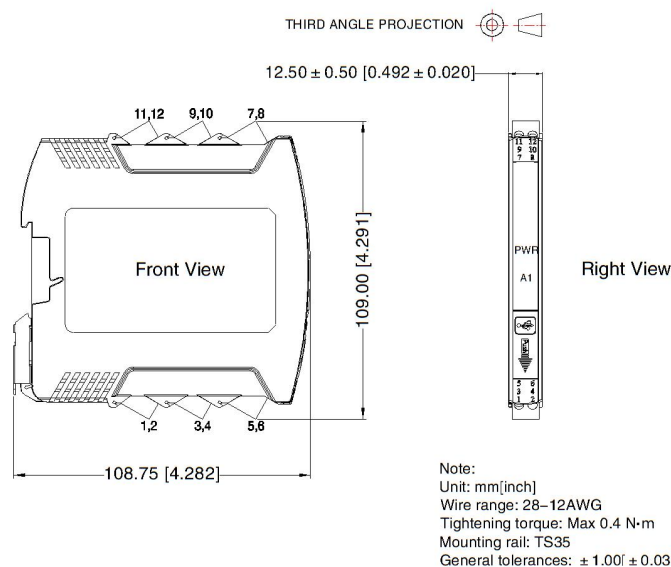


Removal

1. Insert screw driver on the lower end of Module to release clamp (tool edge width $\leq 6\text{mm}$);
2. Push screw driver up towards Module to slide clamp out;
3. Pull Module up out of the guide rail.



Dimensions



Notes:

1. For additional information on Product Packaging please refer to www.mornsun-power.com. The Packaging bag number: 58240007;
2. Unless otherwise specified, parameters in this datasheet were measured under the conditions of $T_a=25^\circ\text{C}$, humidity < 75%RH with nominal input voltage and rated output load;
3. All index testing methods in this datasheet are based on company corporate standards;
4. The above are the performance indicators of the product models listed in this datasheet. Some indicators of non-standard models will exceed the above requirements. For details, please contact our technical staff;
5. We can provide product customization service, please contact our technicians directly for specific information;
6. Products are related to laws and regulations: see "Features" and "EMC";
7. Our products shall be classified according to ISO14001 and related environmental laws and regulations, and shall be handled by qualified units

MORNSUN Guangzhou Science & Technology Co., Ltd.

Address: No. 5, Kehui St. 1, Kehui Development Center, Science Ave., Guangzhou Science City, Huangpu District, Guangzhou, P. R. China
Tel: 86-20-38601850 Fax: 86-20-38601272 E-mail: info@mornsun.cn www.mornsun-power.com