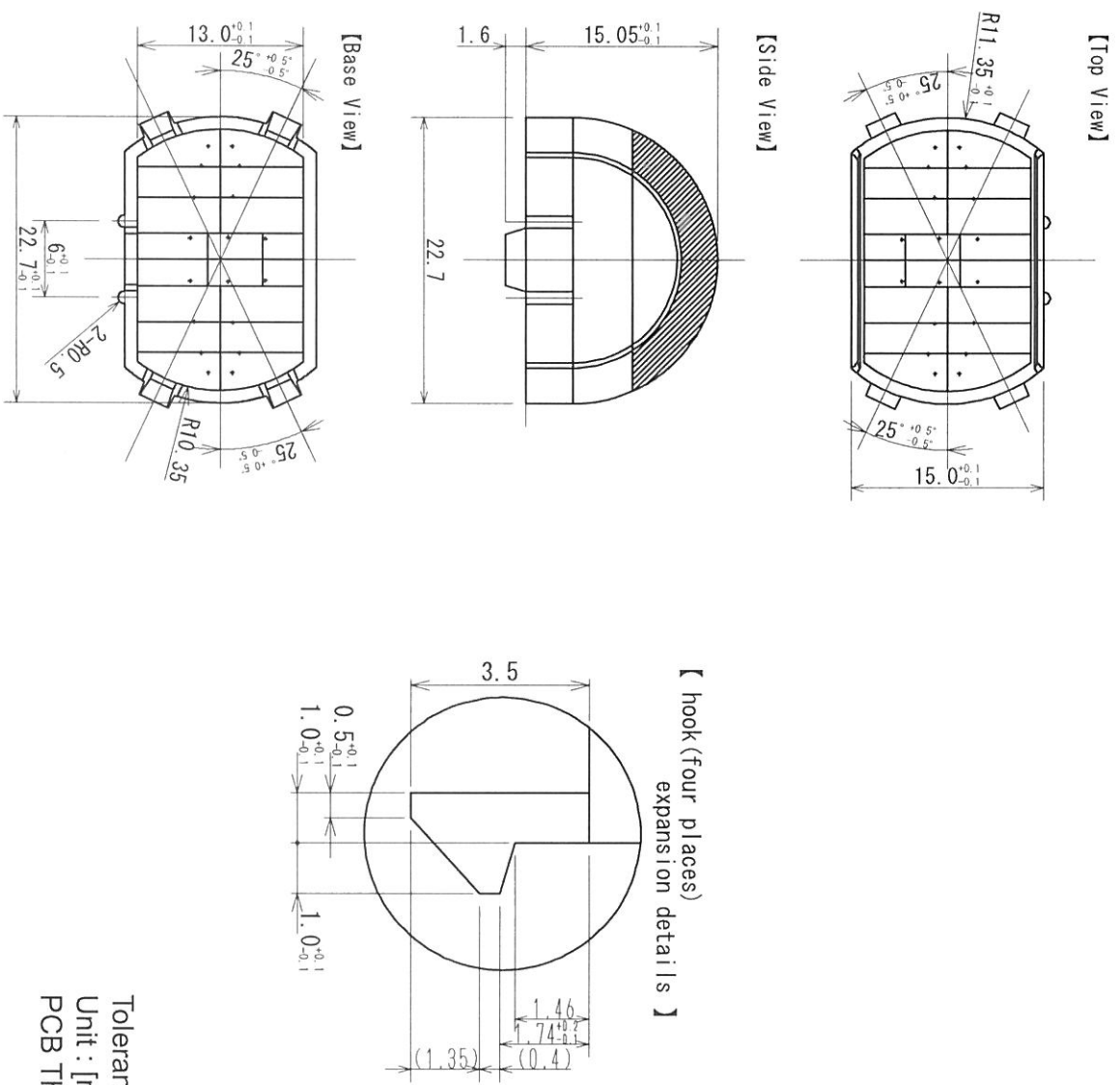


NCL-14 Shape & Dimensions

Fig.61
Segments: 12



Tolerance : ± 0.2
 Unit : [mm]
 PCB Thickness : 1.6mm

CONFIDENTIAL

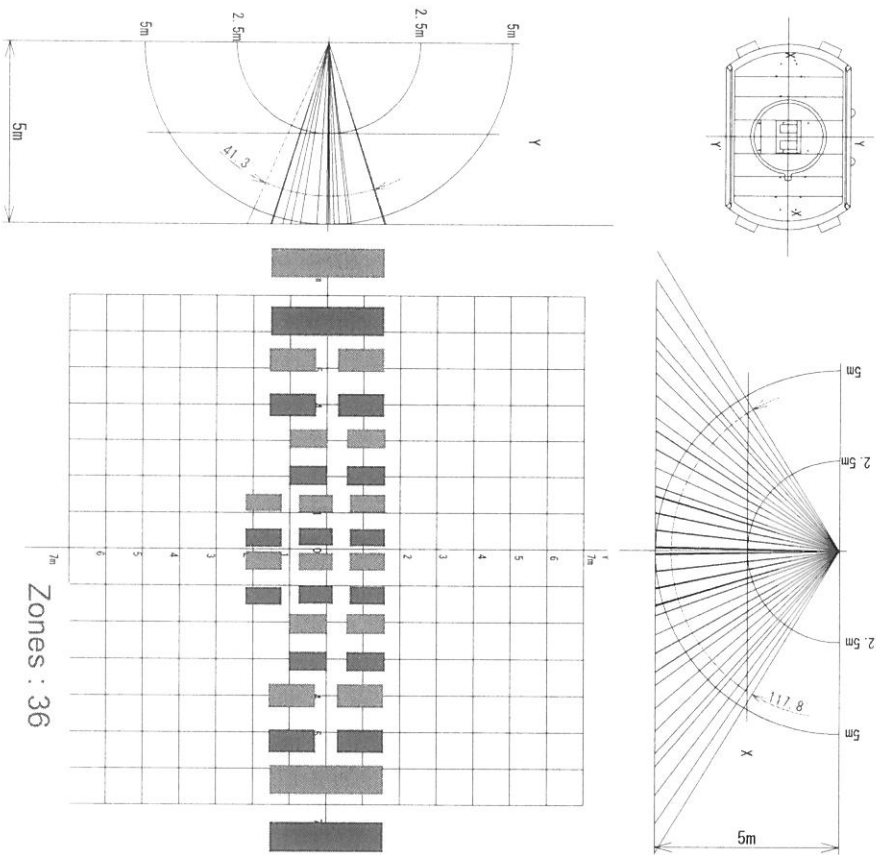
Copyright © Nippon Ceramic Co., Ltd. 2012 All Right Reserved



NCL-14 Combination with Sensor and Detection Segment

Fig.62

Sensor : Dual element

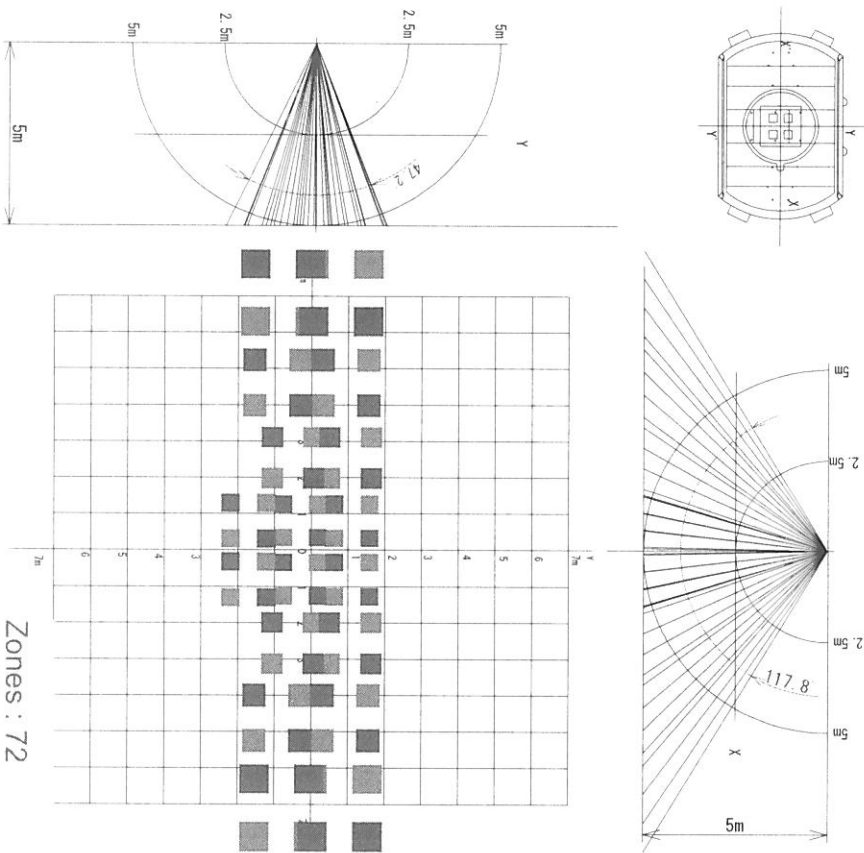


Distance : 5.0m
[Traverse Plane]

Zones : 36

Fig.63

Sensor : Quad element



Distance : 5.0m
[Traverse Plane]

Zones : 72

NCL-14 Combination with Sensor and Detection Segment

Fig.64

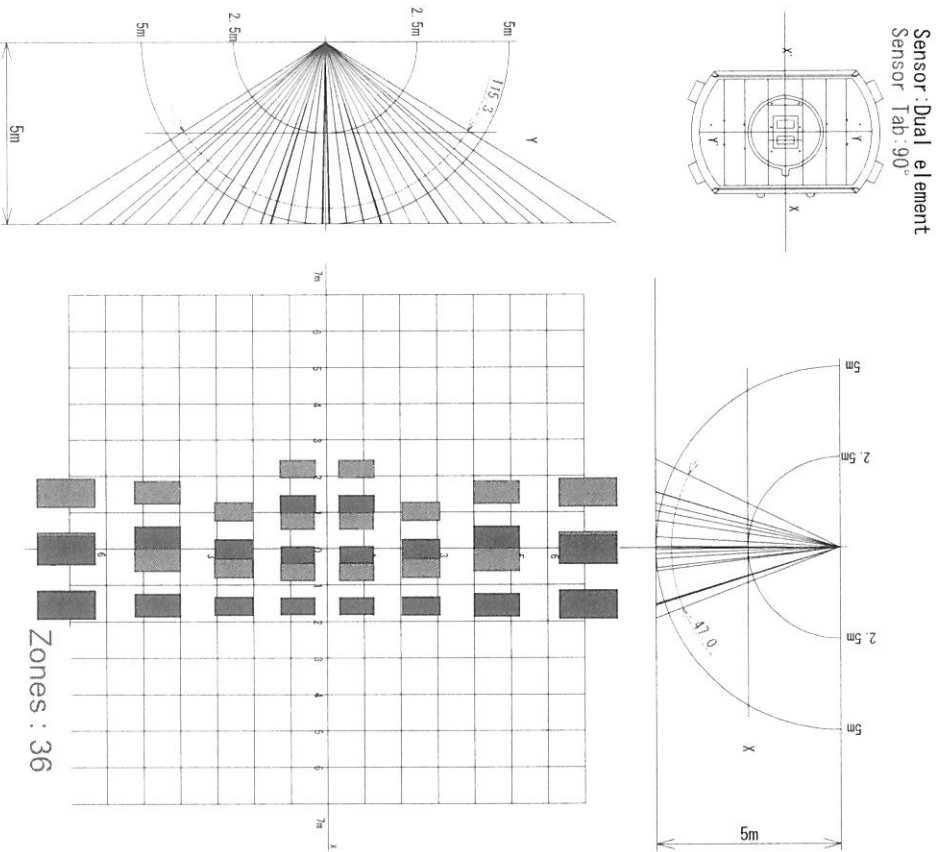


Fig.65

