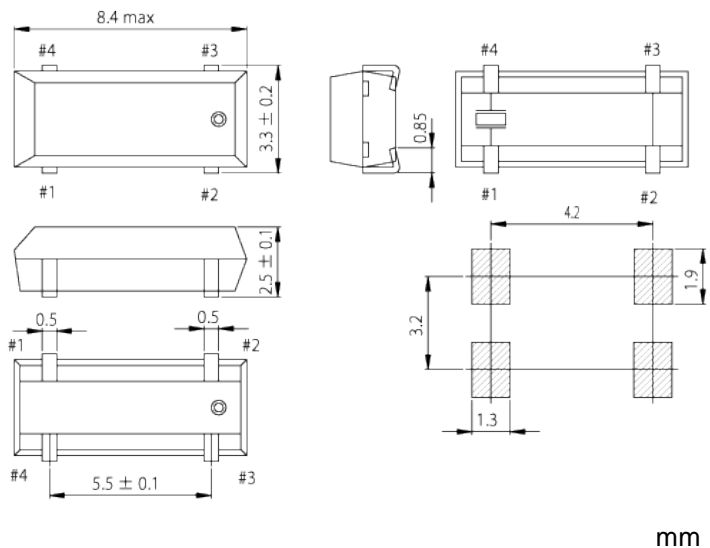
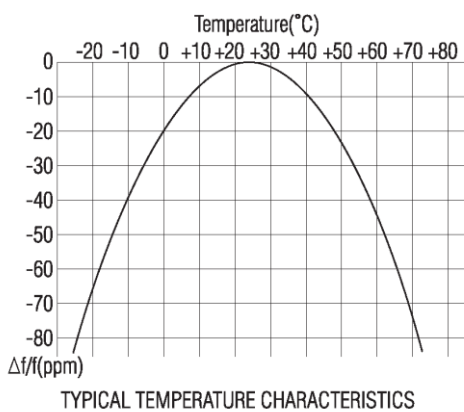


- | | |
|--|--------------------------------------|
| 1. Part No. : | 90M327(K) |
| 2. Nominal frequency (F) : | 32.768 kHz |
| 3. Package type : | 90SMX(K) |
| 4. Frequency tolerance (df/F) : | ±20 ppm (±0.002%) at +25°C ±3°C |
| 5. Load capacitance (CL) : | 12.5 pF ±1.0 pF |
| 6. Series resistance (Rs) : | 50 k Ω max. |
| 7. Drive level (P) : | 1μW max. |
| 8. Quality factor (Q) : | 50000 min. |
| 9. Turnover temperature (TT) : | +25°C ±5°C |
| 10. Parabolic curvature constant (K) : | -0.036 ppm/°C ² , Typical |
| 11. Shunt capacitance (C0) : | 1.35 pF, Typical |
| 12. Capacitance ratio (C0/C1) : | 450, Typical |
| 13. Motional capacitance (C1) : | 0.003 pF, Typical |
| 14. Aging (df/F) : | First year : ±5 ppm max. at +25°C |
| 15. Operating temperature range (TO) : | -40°C to +85°C |
| 16. Storage temperature range (TS) : | -55°C to +125°C |
| 17. Reflow soldering condition : | 10 seconds max. at +250°C ±10°C |
| 18. Shock (df/F) : | 5 ppm max. |
| 19. Vibration (df/F) : | 5 ppm max. |
| 20. Crystal test equipment : | 140B (Saunders, U. S. A) |
| 21. Outline dimensions : | See below |

90SMX(K)
RoHS compliant



ISSUED		CHECKED		APPROVAL	
SMI '21/04/28 石山	A. Ishiyama	SMI '21/04/28 竹内	Kazuto	SMI '21/04/28 三浦	
		ITEM. QUARTZ CRYSTAL UNITS		No. SX-6564A	