

PA1575MZ50R4G-XX-2N

ENGINEERING SPECIFICATION

1. Application

Automotive, recreational , military, marine , aviation , surveying

2. Typical Electrical Properties (For Example : 1580MHz)

Characteristics	Specification	Unit	Conditions
Center Frequency f_0	1580.0 ± 1.5	MHz	with 20mm Square ground plane
Bandwidth	6.0 Max.	MHz	Return Loss ≤ -10 dB
Gain at Zenith	-1.5 typ.	dBic	@1580.0 MHz
Gain at 10° elevation	-6 typ.	dBic	@1580.0 MHz
Polarization	RHCP		
Impedance	50	Ω	
Frequency Temperature Coefficient	0±20	ppm/°C	-40°C to +85°C
Working Temperature			-40°C to +120°C

*: PA1575MZ50R4G-04-2N, G: Green parts (RoHS compliance),

04 for $f_0 = 1580$ MHz

XX	f_0	XX	f_0	XX	f_0	XX	f_0	XX	f_0
00	1576	10	1586	20	1596	30	1606	40	1616
01	1577	11	1587	21	1597	31	1607	41	1617
02	1578	12	1588	22	1598	32	1608	42	1618
03	1579	13	1589	23	1599	33	1609	43	1619
04	1580	14	1590	24	1600	34	1610	44	1620
05	1581	15	1591	25	1601	35	1611	45	1621
06	1582	16	1592	26	1602	36	1612	46	1622
07	1583	17	1593	27	1603	37	1613	47	1623
08	1584	18	1594	28	1604	38	1614	48	1624
09	1585	19	1595	29	1605	39	1615	49	1625

UNLESS OTHER SPECIFIED TOLERANCES ON :

X=± X.X=± X.XX=±
 ANGLES=± HOLEDIA=±

SCALE : UNIT : mm

DRAWN BY : 彭郁喬 *Jawe* CHECKED BY : 馬敏勝 *MSL*

DESIGNED BY : 王浩錦 *Jacky* APPROVED BY : 曾源標 *Piao*

TITLE : PA1575MZ50R4G-XX-2N
 ENGINEERING SPECIFICATION



INPAQ TECHNOLOGY CO., LTD.

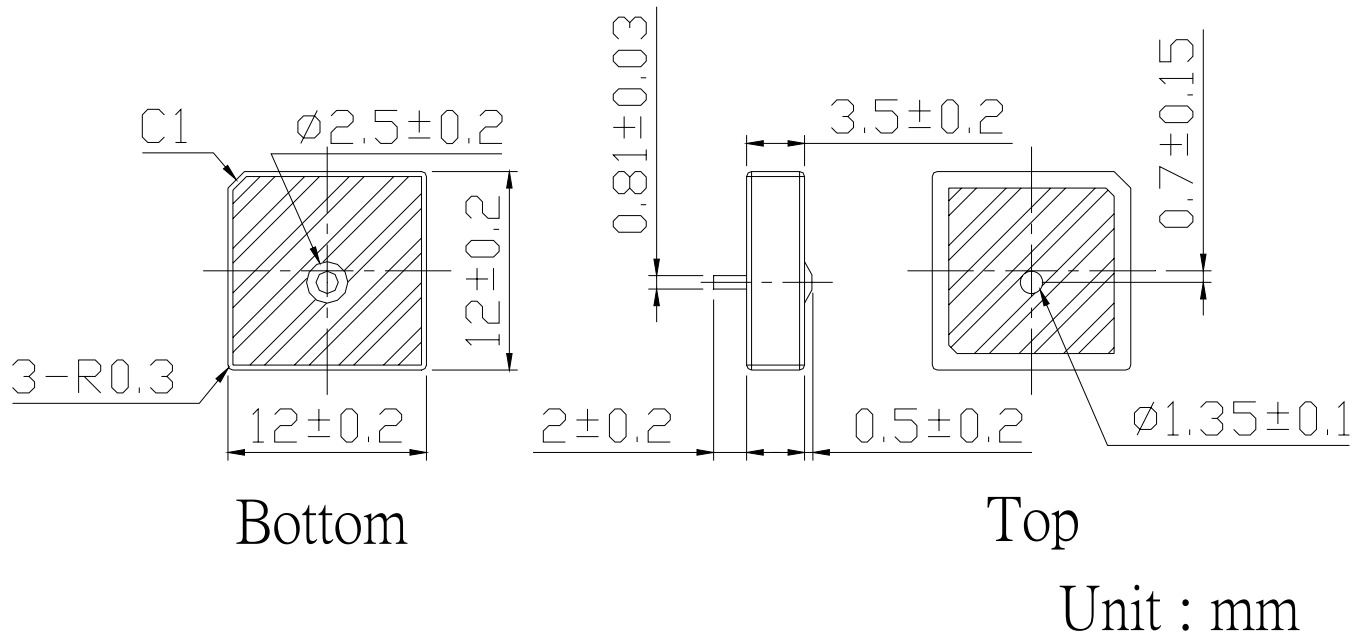
THIS DRAWINGS AND SPECIFICATIONS ARE THE PROPERTY OF INPAQ TECHNOLOGY CO.,LTD.AND SHALL NOT BE REPRODUCED OR USED AS THE BASIS FOR THE MANUFACTURE OR SALE OF APPARATUS OR DEVICES WITHOUT PERMISSION

DOCUMENT NO.

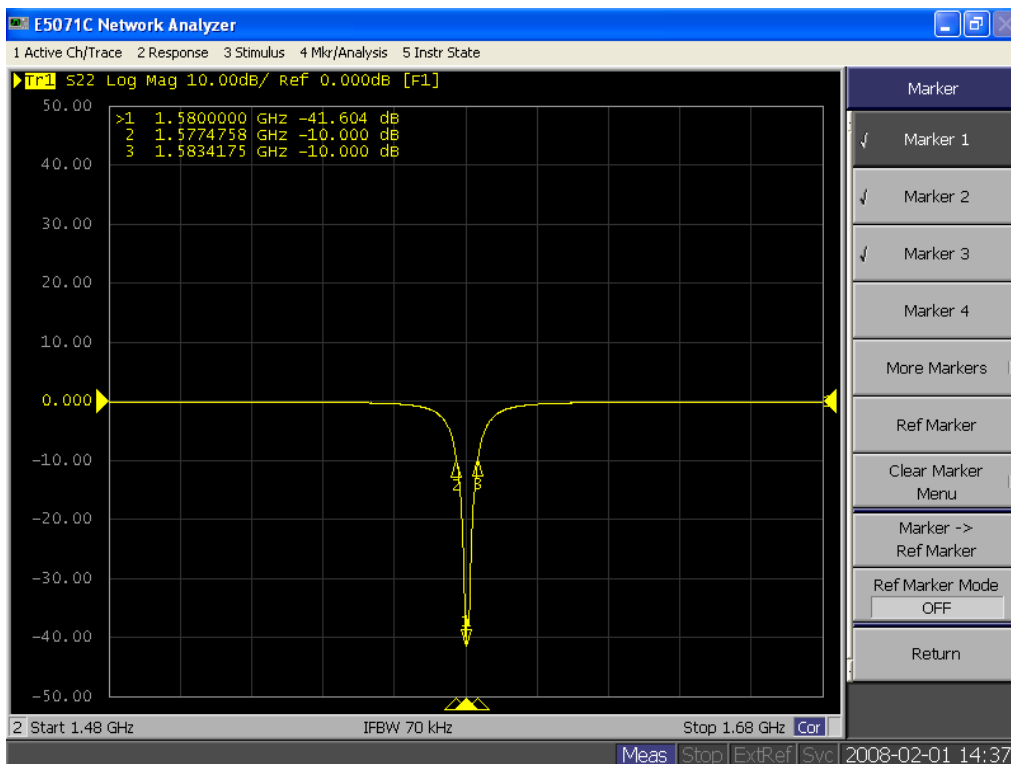
ENS000015250


SPEC. REV.
 A1

3. Dimensions

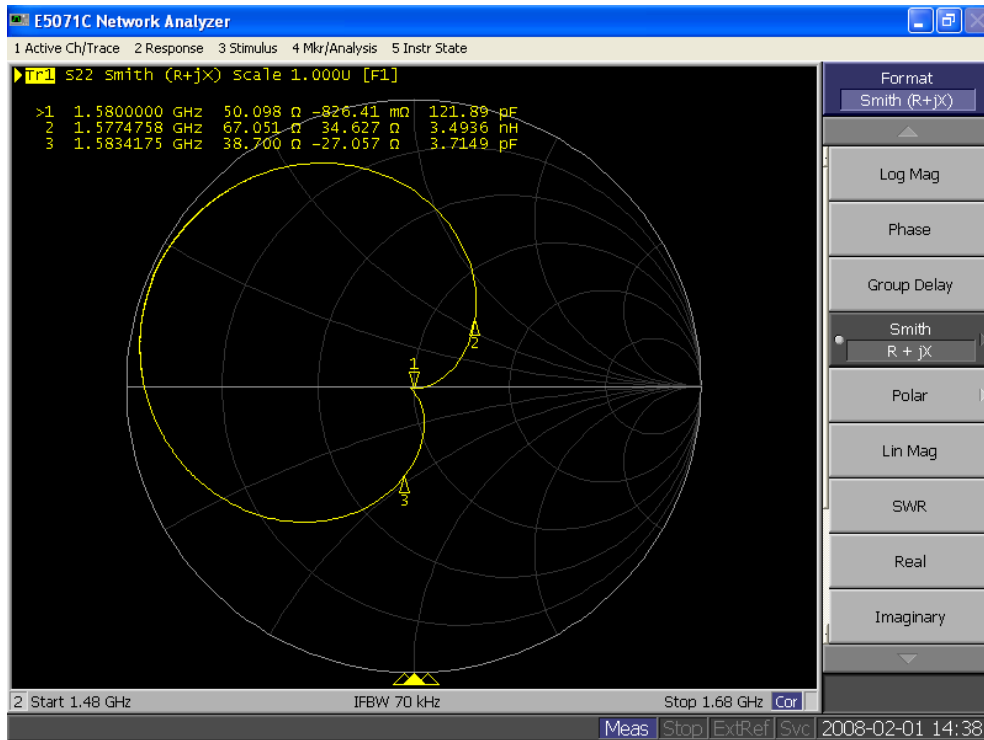


4. Return Loss Characteristics (For Example : 1580MHz)

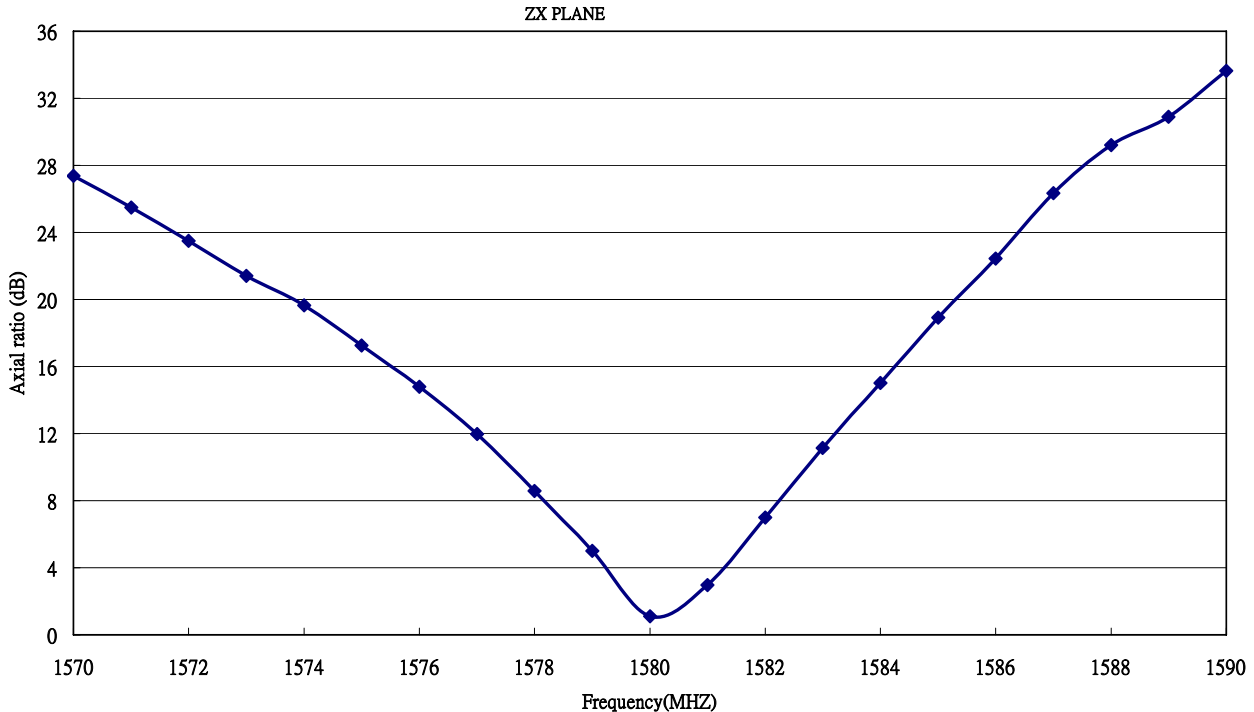



UNLESS OTHER SPECIFIED TOLERANCES ON :		 INPAQ TECHNOLOGY CO., LTD.
X=±	X.X=±	
ANGLES=±		THIS DRAWINGS AND SPECIFICATIONS ARE THE PROPERTY OF INPAQ TECHNOLOGY CO.,LTD.AND SHALL NOT BE REPRODUCED OR USED AS THE BASIS FOR THE MANUFACTURE OR SALE OF APPARATUS OR DEVICES WITHOUT PERMISSION
HOLEDIA=±		
SCALE :	UNIT : mm	DOCUMENT NO. ENS000015250 SPEC. REV. A1
DRAWN BY : 彭郁喬 <i>Jayce</i>	CHECKED BY : 馬敏勝 <i>MSL</i>	
DESIGNED BY : 王浩錦 <i>Jacky</i>	APPROVED BY : 曾源標 <i>Piao</i>	
TITLE : PA1575MZ50R4G-XX-2N ENGINEERING SPECIFICATION		

5. Measured Input Impedance on a Smith Chart (For Example : 1580MHz)

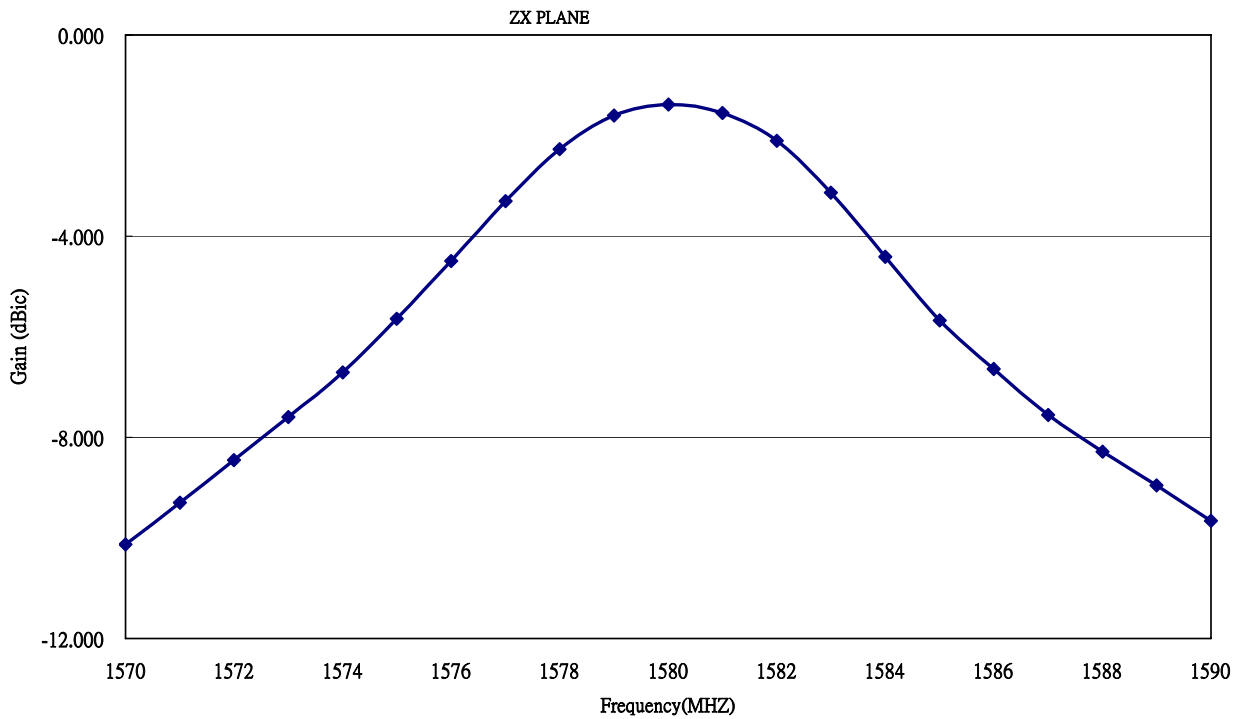


6. Measured Axial Ratio (For Example : 1580MHz)

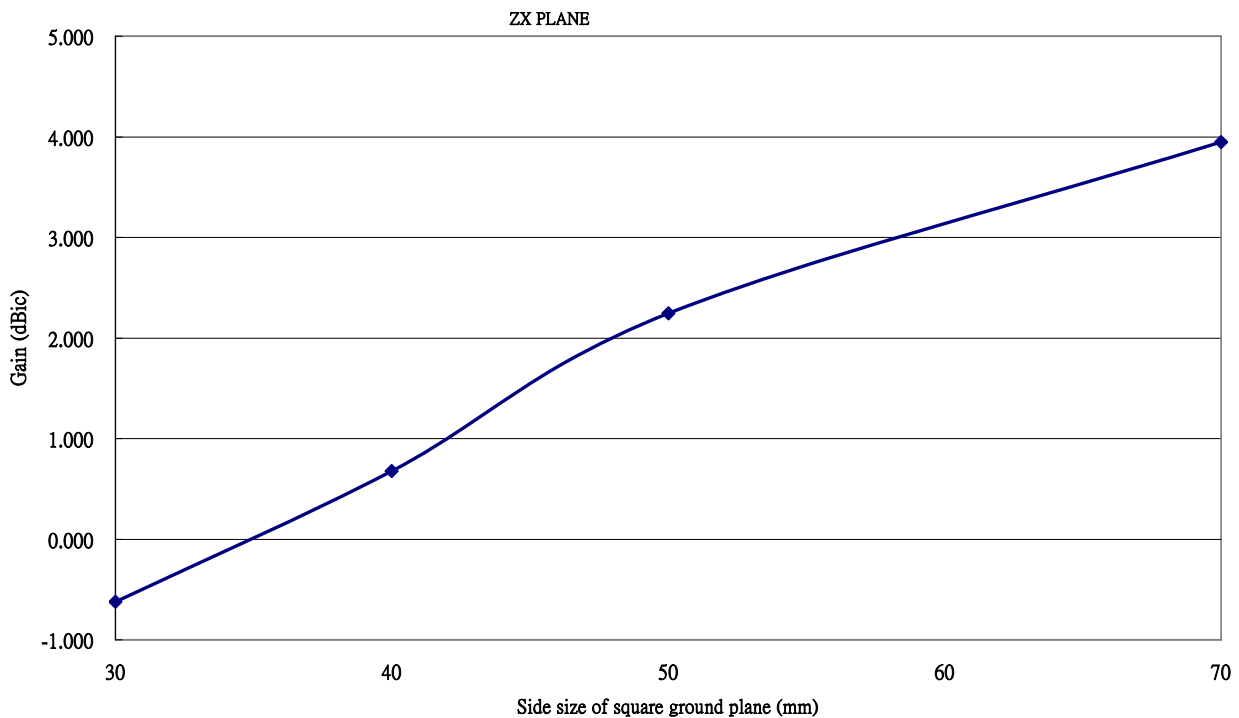


UNLESS OTHER SPECIFIED TOLERANCES ON :		 INPAQ TECHNOLOGY CO., LTD.	
X=±	X.X=±		
ANGLES=±	HOLEDIA=±	THIS DRAWINGS AND SPECIFICATIONS ARE THE PROPERTY OF INPAQ TECHNOLOGY CO.,LTD.AND SHALL NOT BE REPRODUCED OR USED AS THE BASIS FOR THE MANUFACTURE OR SALE OF APPARATUS OR DEVICES WITHOUT PERMISSION	
SCALE :	UNIT : mm		
DRAWN BY : 彭郁喬 <i>Jawe</i>	CHECKED BY : 馬敏勝 <i>MSL</i>		
DESIGNED BY : 王浩錦 <i>Jacky</i>	APPROVED BY : 曾源標 <i>Piao</i>		
TITLE : PA1575MZ50R4G-XX-2N ENGINEERING SPECIFICATION		DOCUMENT NO. ENS000015250	SPEC. REV. A1

7. Measured antenna frequency vs gain (For Example : 1580MHz)



8. Antenna Gain vs. Ground Plane Size (For Example : 1580MHz)



UNLESS OTHER SPECIFIED TOLERANCES ON :

X=± X.X=± X.XX=±
 ANGLES=± HOLEDIA=±



INPAQ TECHNOLOGY CO., LTD.

SCALE : UNIT : mm

DRAWN BY : 彭郁喬 *Jase* CHECKED BY : 馬敏勝 *MSL*

DESIGNED BY : 王浩錦 *Jacky* APPROVED BY : 曾源標 *Piao*

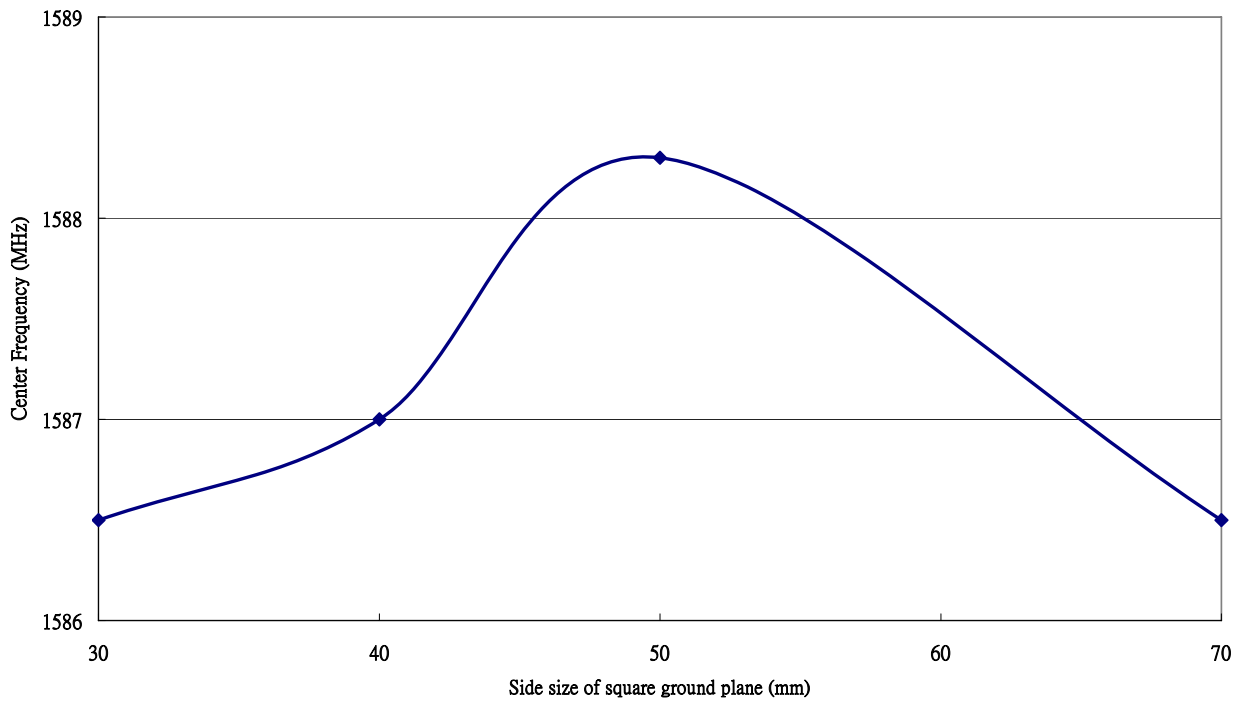
THIS DRAWINGS AND SPECIFICATIONS ARE THE PROPERTY OF INPAQ TECHNOLOGY CO.,LTD.AND SHALL NOT BE REPRODUCED OR USED AS THE BASIS FOR THE MANUFACTURE OR SALE OF APPARATUS OR DEVICES WITHOUT PERMISSION


TITLE : PA1575MZ50R4G-XX-2N
ENGINEERING SPECIFICATION

DOCUMENT NO. ENS000015250

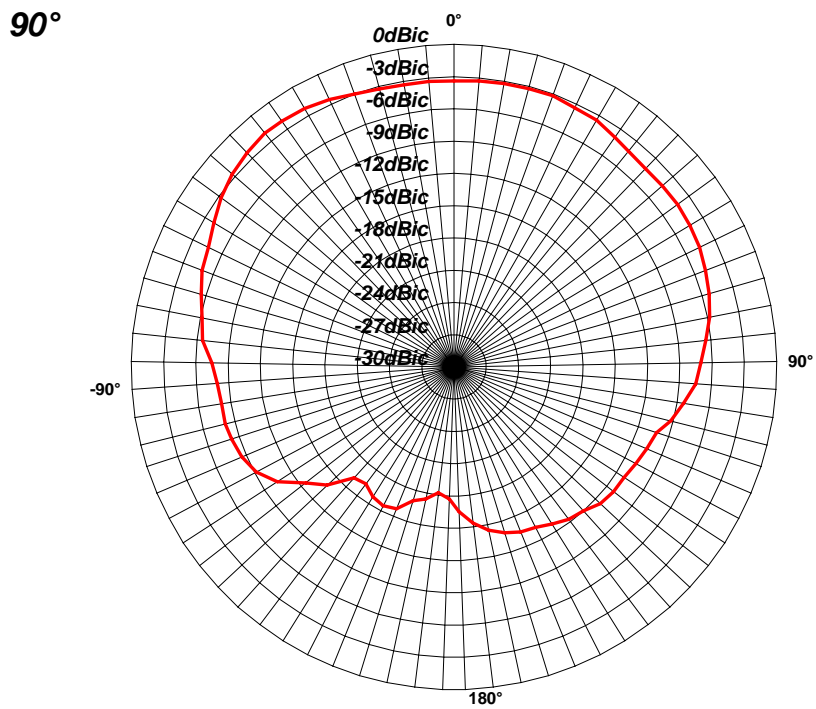
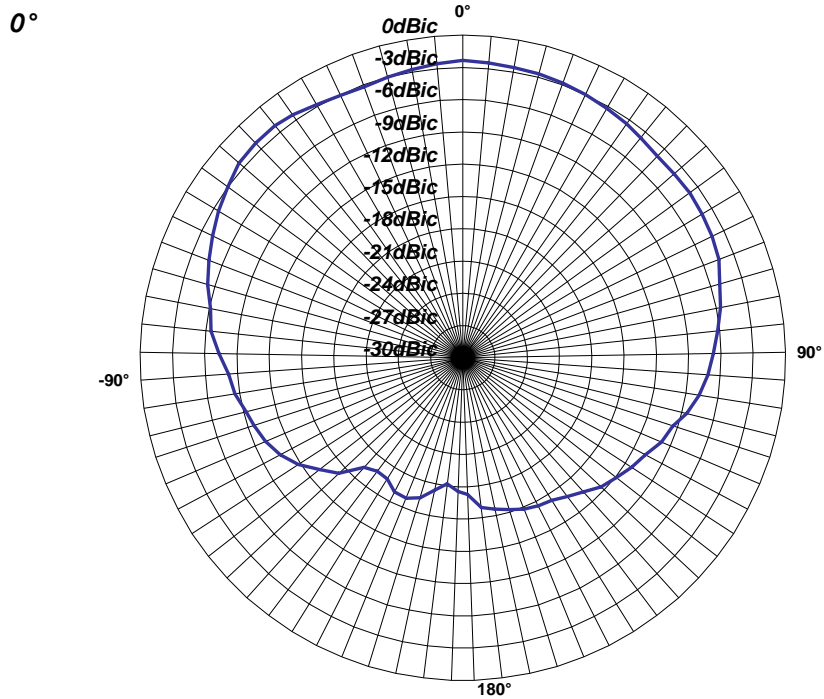
SPEC. REV. A1

9. Center Frequency vs. Ground plane (For Example : 1580MHz)



UNLESS OTHER SPECIFIED TOLERANCES ON :		 INPAQ TECHNOLOGY CO., LTD.	
X=±	X.X=±		
ANGLES=±	HOLEDIA=±	THIS DRAWINGS AND SPECIFICATIONS ARE THE PROPERTY OF INPAQ TECHNOLOGY CO.,LTD.AND SHALL NOT BE REPRODUCED OR USED AS THE BASIS FOR THE MANUFACTURE OR SALE OF APPARATUS OR DEVICES WITHOUT PERMISSION	
SCALE :	UNIT : mm		
DRAWN BY : 彭郁喬 <i>Jawe</i>	CHECKED BY : 馬敏勝 <i>MSL</i>		
DESIGNED BY : 王浩錦 <i>Jacky</i>	APPROVED BY : 曾源標 <i>Piao</i>		
TITLE : PA1575MZ50R4G-XX-2N ENGINEERING SPECIFICATION		DOCUMENT NO. ENS000015250	SPEC. REV. A1

10. The Normalized Antenna Gain Chart (For Example : 1580MHz)



TX : Right hand circular polarized signal

Frequency = 1580MHz

Radiation pattern (with 20*20mm square ground plane)

UNLESS OTHER SPECIFIED TOLERANCES ON :

X=± X.X=± X.XX=±
 ANGLES=± HOLEDIA=±



INPAQ TECHNOLOGY CO., LTD.

SCALE : UNIT : mm

DRAWN BY : 彭郁喬 *Jayne* CHECKED BY : 馬敏勝 *MSL*

DESIGNED BY : 王浩錦 *Jacky* APPROVED BY : 曾源標 *Piao*

THIS DRAWINGS AND SPECIFICATIONS ARE THE PROPERTY OF INPAQ TECHNOLOGY CO.,LTD.AND SHALL NOT BE REPRODUCED OR USED AS THE BASIS FOR THE MANUFACTURE OR SALE OF APPARATUS OR DEVICES WITHOUT PERMISSION

**TITLE : PA1575MZ50R4G-XX-2N
 ENGINEERING SPECIFICATION**

DOCUMENT NO.	ENS000015250	SPEC. REV.
		A1

11.Explanation of Appendix

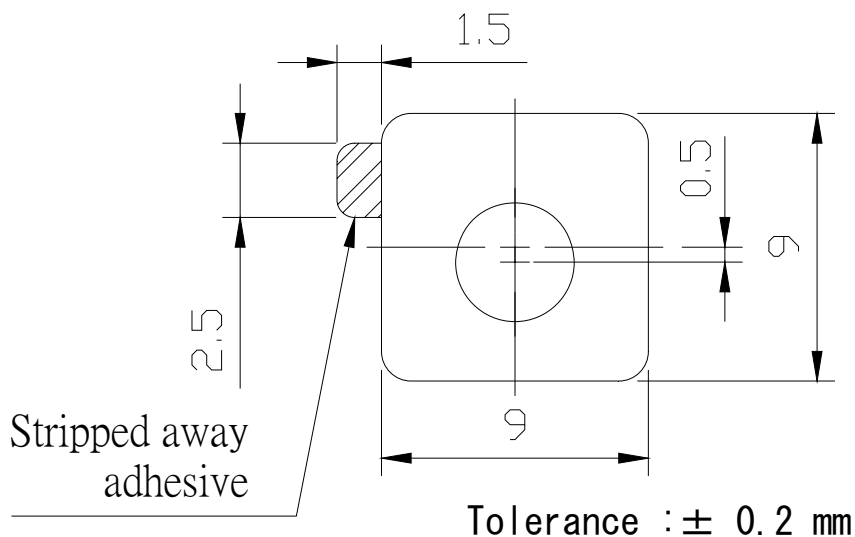
P A 1 5 7 5 M Z 5 0 R 4 G - X X - 2 N
| |
(1)(2)

(1) 2 = 2 mm pin Length

(2) Adhesive Tape [N] 9x9mm

Adhesive Transfer Tape Specification

- 2.1 Thickness : 0.05 ± 5% mm
- 2.2 Release Liner : 0.1mm (typ.) printed paper or paper
- 2.3 Dimension : mm



UNLESS OTHER SPECIFIED TOLERANCES ON : X=± X.X=± X.XX=± ANGLES=± HOLEDIA=±		INPAQ TECHNOLOGY CO., LTD.	
SCALE : UNIT : mm		THIS DRAWINGS AND SPECIFICATIONS ARE THE PROPERTY OF INPAQ TECHNOLOGY CO.,LTD.AND SHALL NOT BE REPRODUCED OR USED AS THE BASIS FOR THE MANUFACTURE OR SALE OF APPARATUS OR DEVICES WITHOUT PERMISSION	
DRAWN BY : 彭郁喬 <i>Jawe</i>	CHECKED BY : 馬敏勝 <i>MSL</i>	DOCUMENT NO. ENS000015250 SPEC. REV.	
DESIGNED BY : 王浩錦 <i>Jacky</i>	APPROVED BY : 曾源標 <i>Piao</i>		