

High Voltage $I_o=500\text{mA}$ Low Dropout Regulator

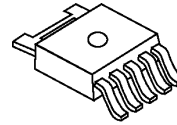
■ GENERAL DESCRIPTION

The NJW4185 is a high voltage and low current consumption low dropout regulator using BCD process.

NJW4185 is mounted to TO-252-5 package and corresponded to Low ESR capacitor (MLCC).

It is suitable for a Car accessory and various applications.

■ PACKAGE OUTLINE

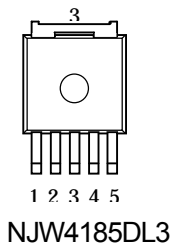


NJW4185DL3

■ FEATURES

- Operating Voltage Range 4.0V ~ 40V(max.)
- Low Current Consumption 55 μA (typ.)
- Correspond to Low ESR capacitor (MLCC)
- Output Current $I_o(\text{min.})=500\text{mA}$
- Output Voltage Range 2.0V to 15.0V
- High Precision Output $V_o \pm 1.0\%$
- ON/OFF Function
- Internal Thermal Overload Protection
- Internal Over Current Protection
- Package Outline TO-252-5

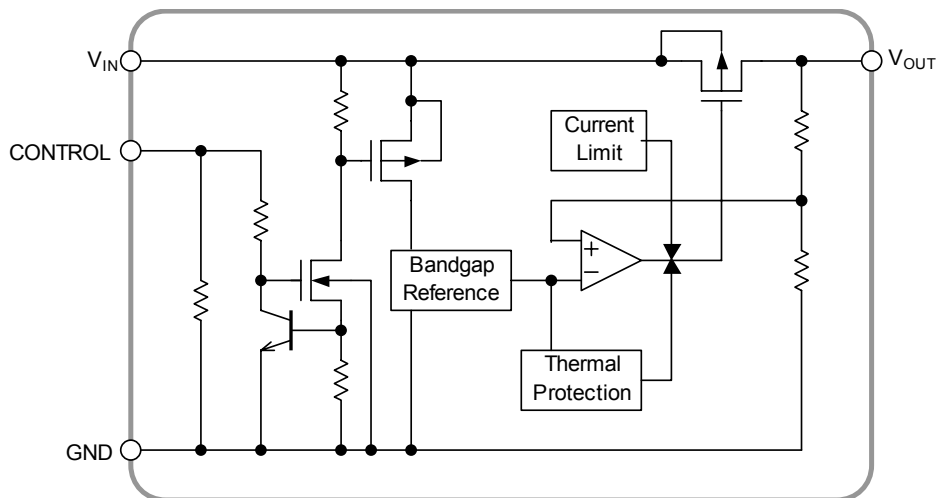
■ PIN CONNECTION



PIN CONFIGURATION

1. V_{IN}
2. CONTROL
3. GND
4. N.C.
5. V_{OUT}

■ BLOCK DIAGRAM



NJW4185

■ OUTPUT VOLTAGE LANK LIST

Device Name	V _{OUT}
NJW4185DL3-02	2.0V
NJW4185DL3-33	3.3V
NJW4185DL3-05	5.0V
NJW4185DL3-08	8.0V
NJW4185DL3-15	15.0V

■ ABABSOLUTE MAXIMUM RATINGS (Ta=25°C)

PARAMETER	SYMBOL	RATINGS	UNIT
Input Voltage	V _{IN}	-0.3 ~ +45	V
Control Voltage	V _{CONT}	-0.3 ~ +45	V
Output Voltage	V _{OUT}	-0.3 ~ V _{IN} ≤ +17	V
Power Dissipation	P _D	1190 (*1) 3125 (*2)	mW
Operating Temperature	T _{opr}	-40 to +85	°C
Storage Temperature	T _{stg}	-50 to +150	°C

(*1): Mounted on glass epoxy board. (76.2×114.3×1.6mm:EIA/JDEC standard size, 2Layers, copper area 100mm²)

(*2): Mounted on glass epoxy board. (76.2×114.3×1.6mm:EIA/JDEC standard size, 4Layers)

(4Layers inner foil: 74.2 x 74.2mm applying a thermal via hall to a board based on JEDEC standard JESD51-5)

■ INPUT VOLTAGE RANGE

V_{IN}=4.0V ~ 40V

■ ELECTRICAL CHARACTERISTICS

Unless otherwise noted, V_{IN}=V_O+1V(V_O≥3V), C_{IN}=1μF, C_O=2.2μF, Ta=25°C

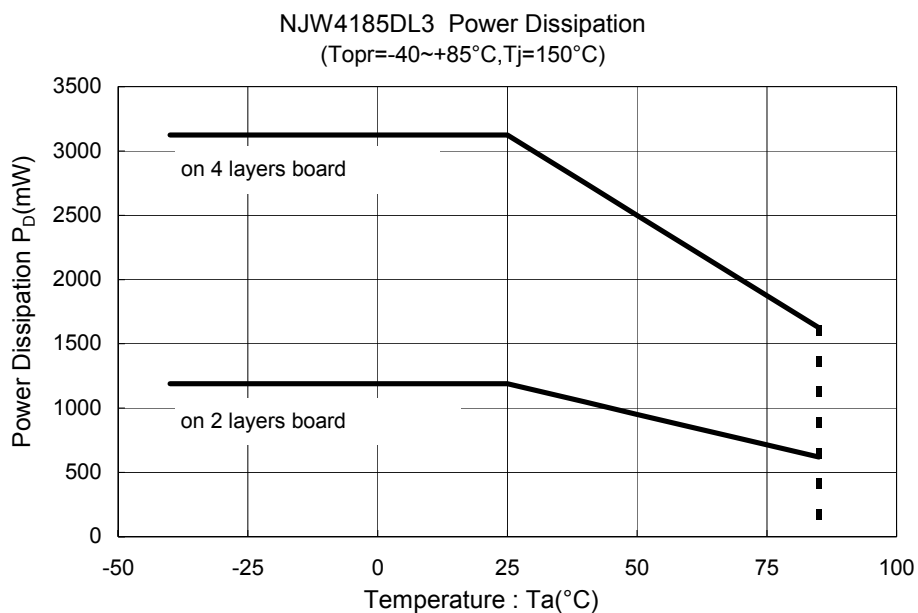
V_{IN}=4V(V_O<3V), C_{IN}=1μF, C_O=4.7μF, Ta=25°C

PARAMETER	SYMBOL	TEST CONDITION	MIN.	TYP.	MAX.	UNIT	
Output Voltage	V _O	I _O = 30mA	-1.0%	-	+1.0%	V	
Quiescent Current	I _Q	I _O = 0mA, except I _{CONT}	-	55	90	μA	
Quiescent Current at Control OFF	I _{Q(OFF)}	V _{CONT} =0V	-	-	1	μA	
Output Current	I _O	V _O × 0.9	500	-	-	mA	
Line Regulation	$\frac{\Delta V_O}{\Delta V_I}$ _N	V _{IN} = V _O +1V~40V, I _O =30mA (V _O ≥3V) V _{IN} = 4V~40V, I _O =30mA (V _O <3V)	-	-	0.03	%/V	
Load Regulation	$\frac{\Delta V_O}{\Delta I_O}$	I _O =0mA to 500mA	-	-	0.006	%/mA	
Ripple Rejection	RR	V _{IN} = 4V, e _{in} =200mVrms, f=1kHz, I _O = 10mA	V _O =2.0V	-	67	-	dB
		V _{IN} = V _O +1V, e _{in} =200mVrms, f=1kHz, I _O = 10mA	V _O =3.3V	-	62	-	
			V _O =5.0V	-	60	-	
			V _O =8.0V	-	55	-	
		V _O =15V	-	50	-		
Dropout Voltage	ΔV _{I_O}	I _O =300mA	-	0.27	0.42	V	
Average Temperature Coefficient of Output Voltage	ΔV _O /ΔTa	Ta=0 to 85°C, I _O = 30mA	-	±50	-	ppm/°C	
Control Current	I _{CONT}	V _{CONT} =1.6V	-	1	3	μA	
Control Voltage for ON-state	V _{CONT(ON)}		1.6	-	-	V	
Control Voltage for OFF-state	V _{CONT(OFF)}		-	-	0.6	V	

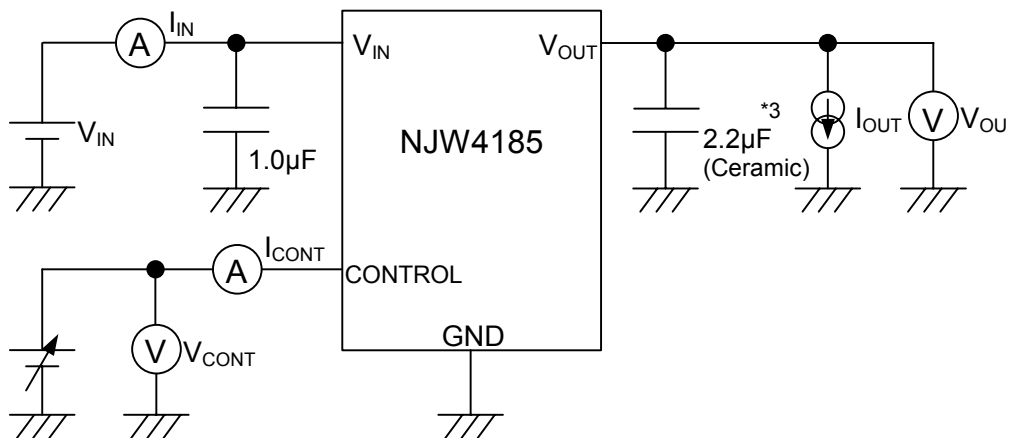
The above specification is a common specification for all output voltages.

Therefore, it may be different from the individual specification for a specific output voltage.

■ POWER DISSIPATION vs. AMBIENT TEMPERATURE



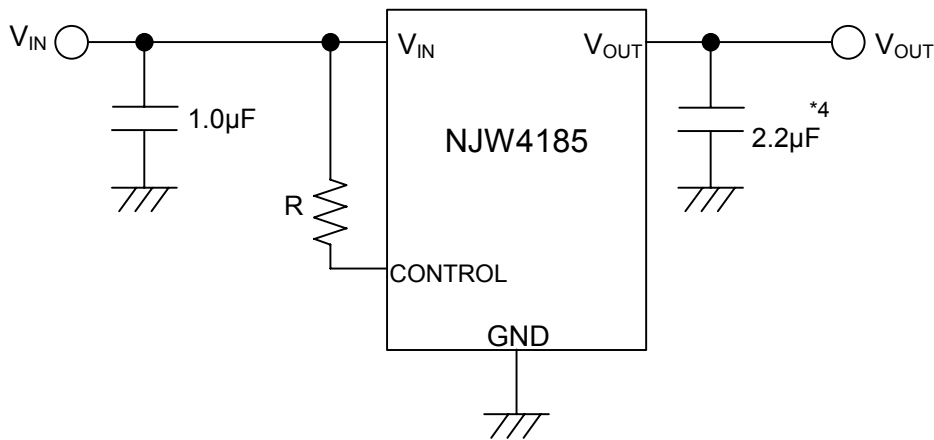
■ TEST CIRCUIT



*3 : $V_o < 3.0\text{V}$ version : $C_o = 4.7\mu\text{F}$ (Ceramic)

■ TYPICAL APPLICATION

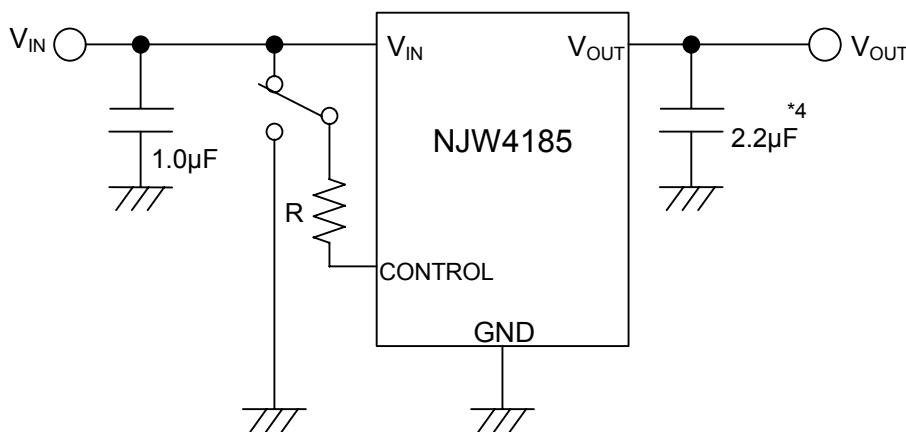
① In the case where ON/OFF Control is not required



*4 : $V_o < 3.0V$ version : $C_o = 4.7\mu F$

Connect control terminal to V_{IN} terminal

② In use of ON/OFF CONTROL



*4 : $V_o < 3.0V$ version : $C_o = 4.7\mu F$

State of control terminal:

- "H" → output is enabled.
- "L" or "open" → output is disabled.

*In the case of using a resistance "R" between V_{IN} and control.

If this resistor is inserted, it can reduce the control current when the control voltage is high.

The applied voltage to control terminal should set to consider voltage drop through the resistor "R" and the minimum control voltage for ON-state.

The $V_{CONT(ON)}$ and I_{CONT} have temperature dependence as shown in the "Control Current vs. Temperature" and "

Control Voltage vs. Temperature" characteristics. Therefore, the resistance "R" should be selected to consider the temperature characteristics.

*Input Capacitor C_{IN}

Input Capacitor C_{IN} is required to prevent oscillation and reduce power supply ripple for applications when high power supply impedance or a long power supply line.

Therefore, use the recommended C_{IN} value (refer to conditions of ELECTRIC CHARACTERISTIC) or larger and should connect between GND and V_{IN} as shortest path as possible to avoid the problem.

*Output Capacitor C_O

Output capacitor (C_O) will be required for a phase compensation of the internal error amplifier.

The capacitance and the equivalent series resistance (ESR) influence to stable operation of the regulator.

Use of a smaller C_O may cause excess output noise or oscillation of the regulator due to lack of the phase compensation.

On the other hand, Use of a larger C_O reduces output noise and ripple output, and also improves output transient response when rapid load change.

Therefore, use the recommended C_O value (refer to conditions of ELECTRIC CHARACTERISTIC) or larger and should connect between GND and V_{OUT} as shortest path as possible for stable operation

The recommended capacitance depends on the output voltage rank. Especially, low voltage regulator requires larger C_O value.

In addition, you should consider varied characteristics of capacitor (a frequency characteristic, a temperature characteristic, a DC bias characteristic and so on) and unevenness peculiar to a capacitor supplier enough.

When selecting C_O , recommend that have withstand voltage margin against output voltage and superior temperature characteristic.

NJW4185

*The notes of the evaluation when output terminal is shorted to GND

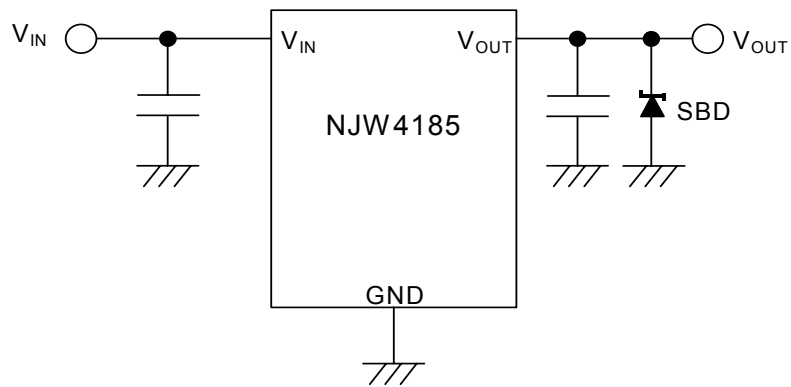
When evaluated short circuit test, the IC may break down because of regenerated energy by the parasitic inductance included in wiring pattern.

It phenomenon appears conspicuously when output voltage is high($V_o=8.0V$ or more)or connected to inductive load.

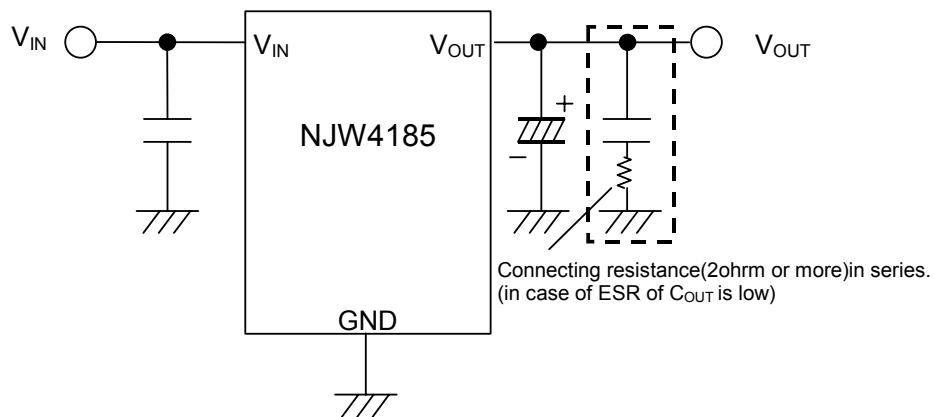
In case of short circuit in actual application, not likely to destruction of IC because of some of Resistance exist between load.

If happened above phenomenon by the short circuit test with the actual application, recommend connecting schottky barrier diode(SBD) between V_o terminal and the GND or using output condensers that have ESR more than 2ohm like a tantalum or aluminum electrolytic capacitor.(see below figure)

(a)In case of insert Schottky barrier diode between output terminal - GND

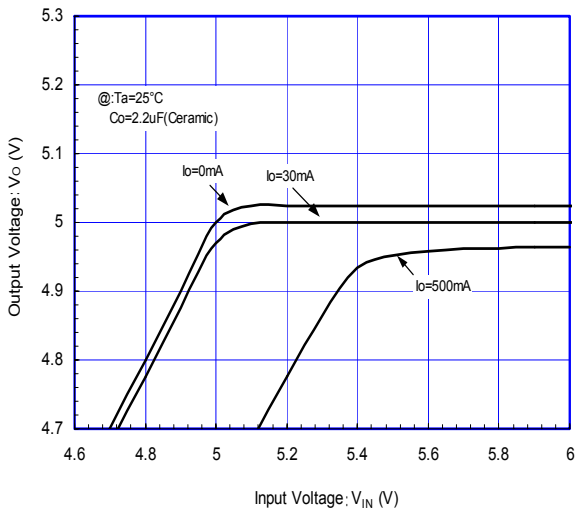


(b) In case of using the electrolysis condenser or insert series resistance

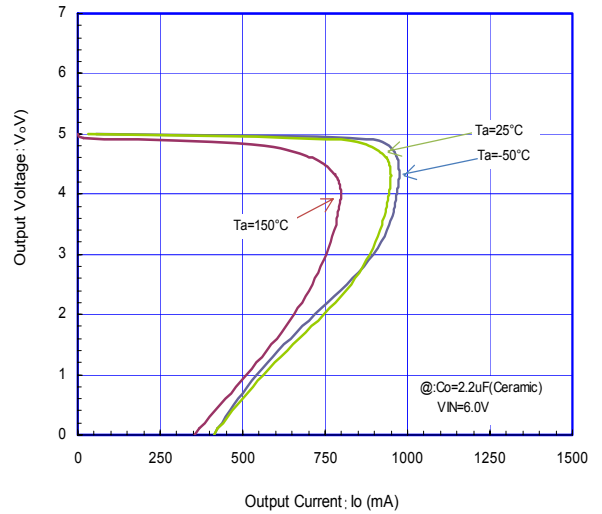


TYPICAL CHARACTERISTICS

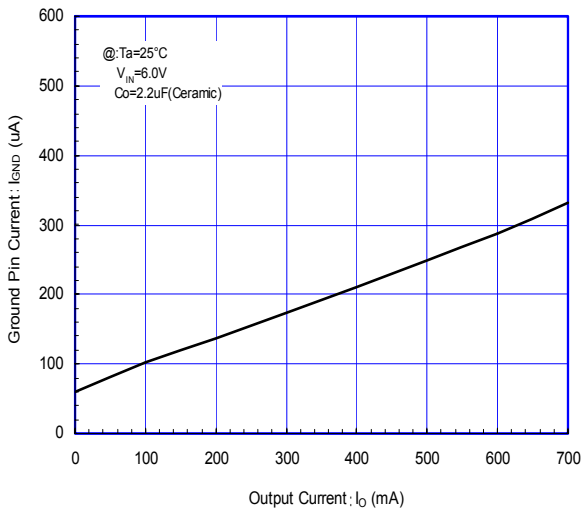
NJW4185_5.0V
Output Voltage vs. Input Voltage



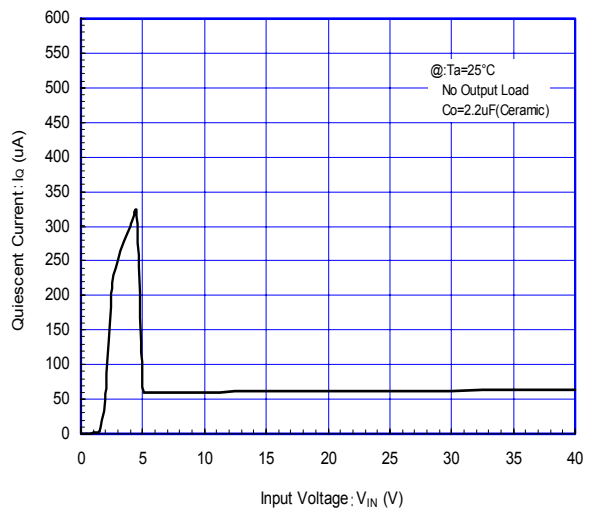
NJW4185_5.0V
Output Current vs. Output Voltage



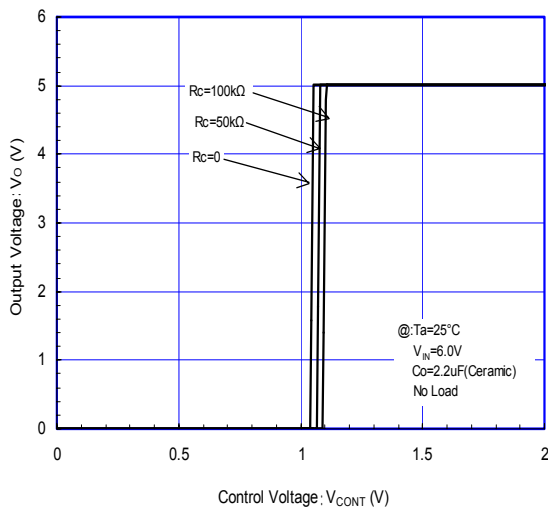
NJW4185_5.0V
Ground Pin Current vs. Output Current



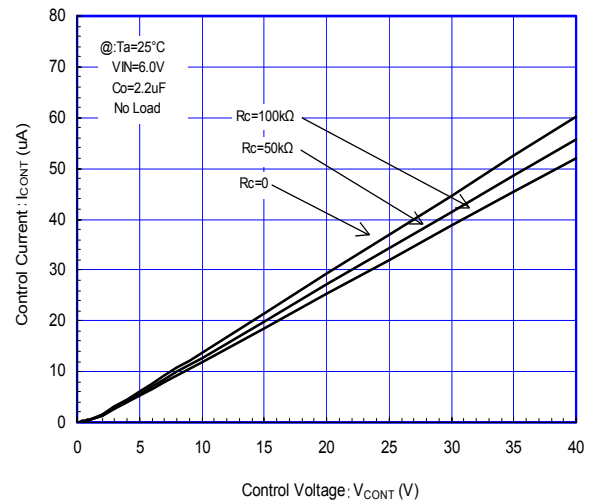
NJW4185_5.0V
Quiescent Current vs. Input Voltage



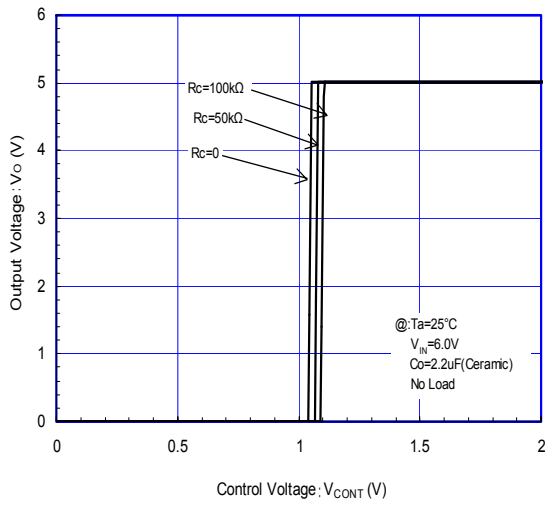
NJW4185_5.0V
Output Voltage vs. Control Voltage



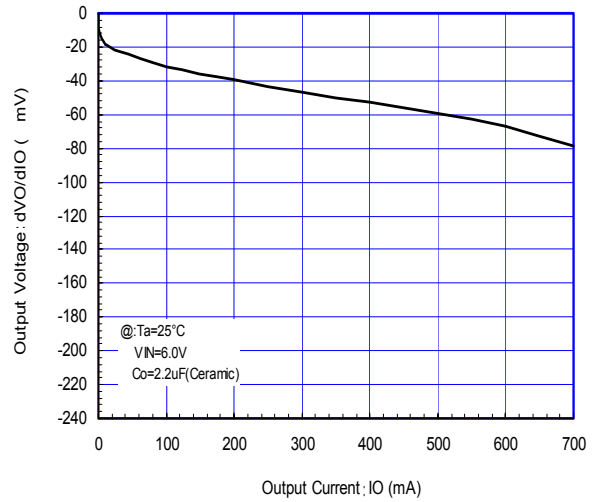
NJW4185_5.0V
Control Current vs. Control Voltage



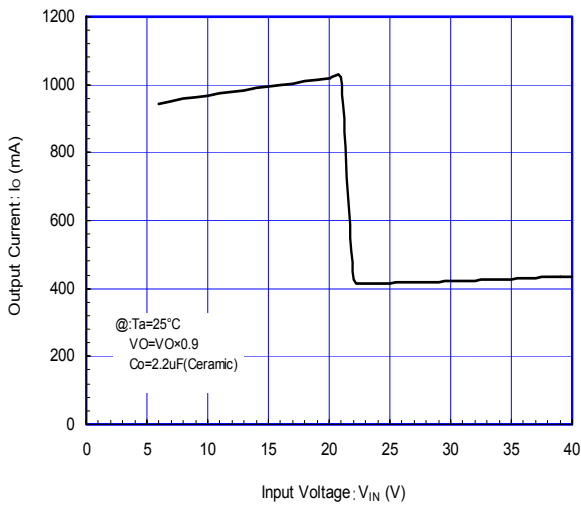
NJW4185_5.0V
Output Voltage vs. Control Voltage



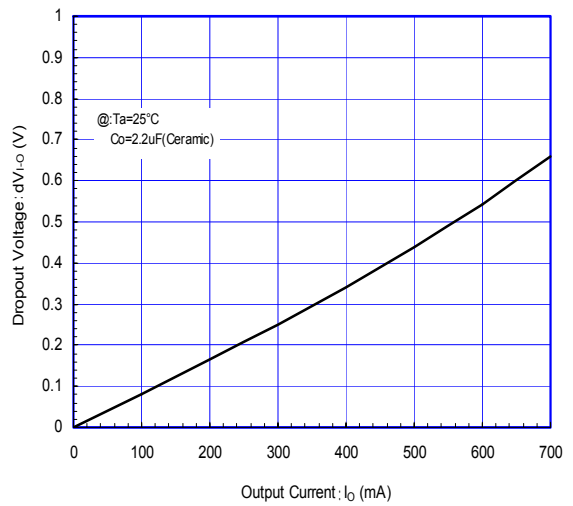
NJW4185_5.0V
Output Current vs. Output Voltage



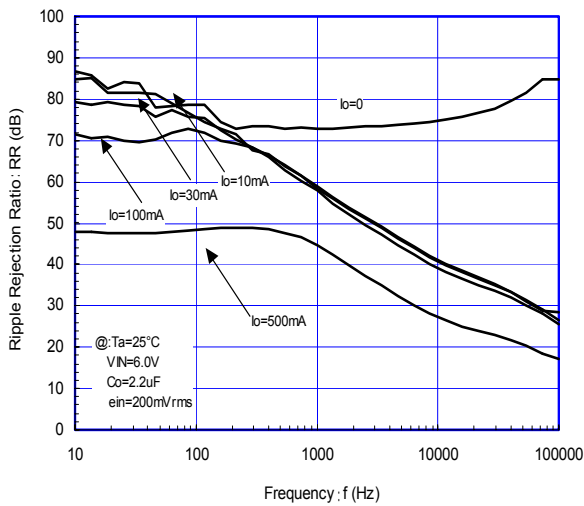
NJW4185_5.0V
Output Current vs. Input Voltage



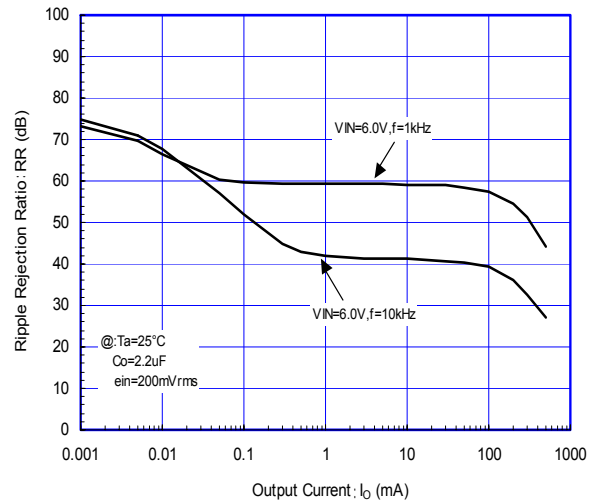
NJW4185_5.0V
Dropout Voltage vs. Output Current

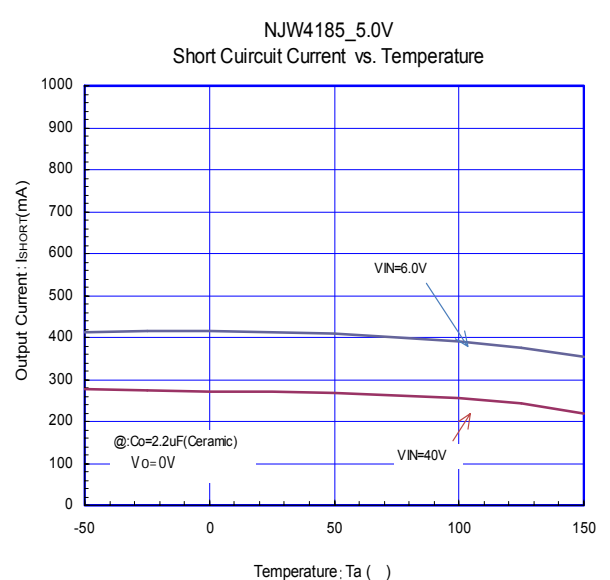
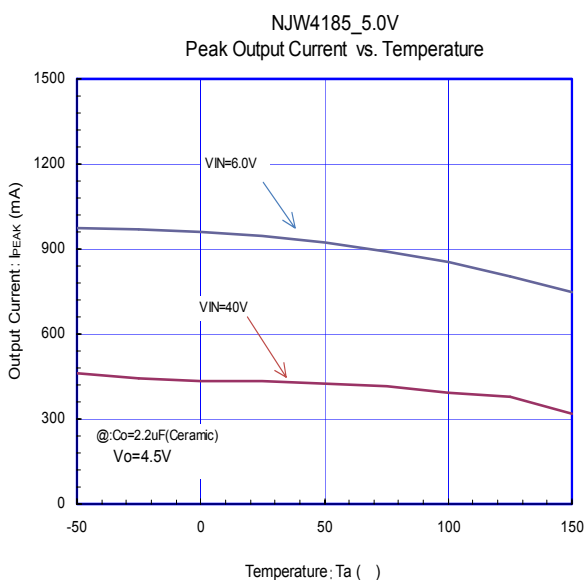
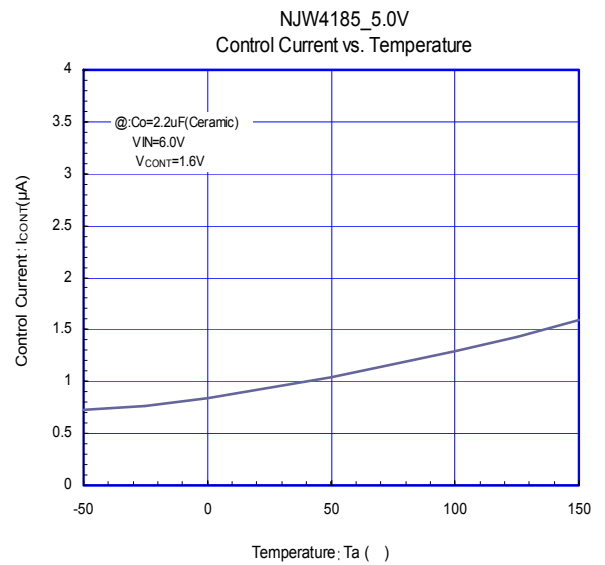
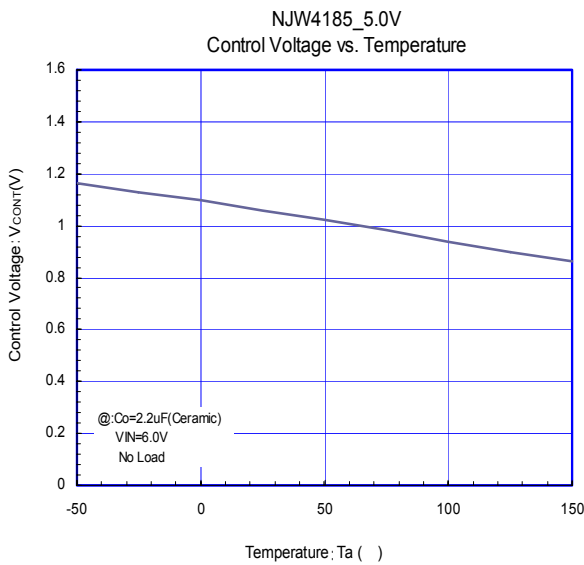
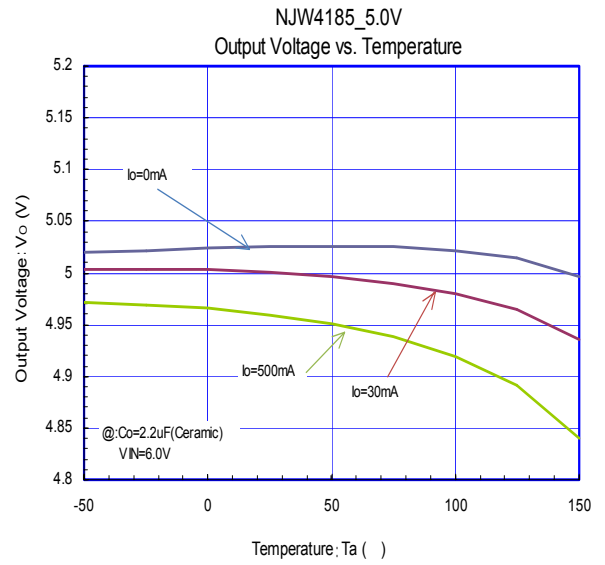
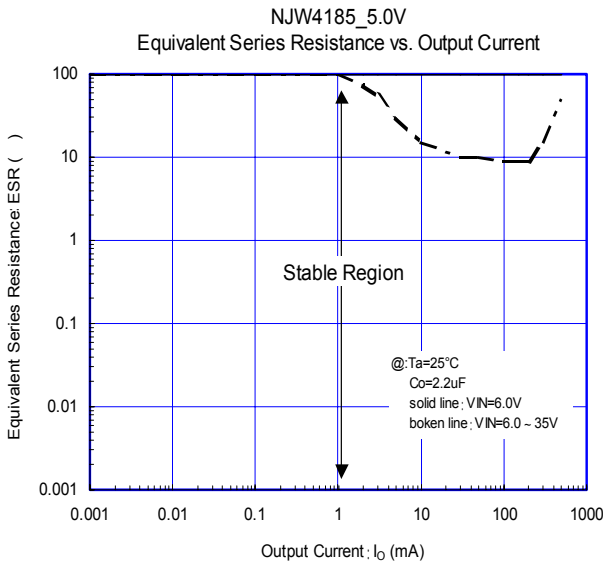


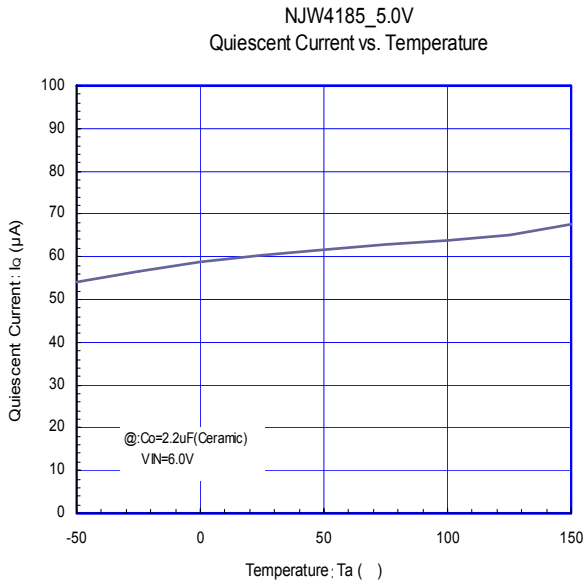
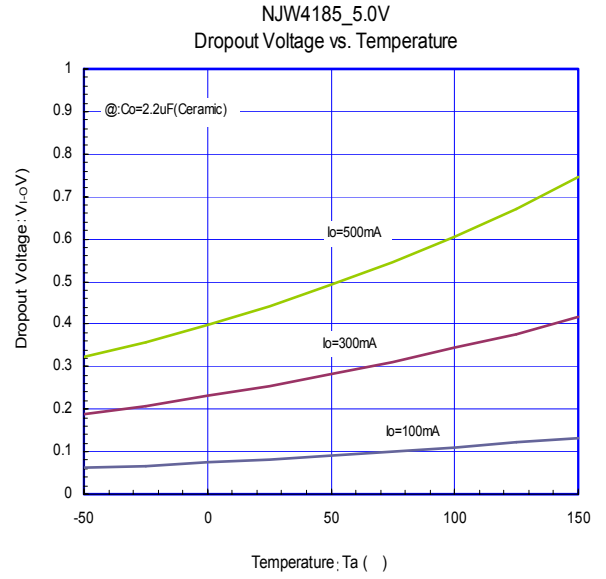
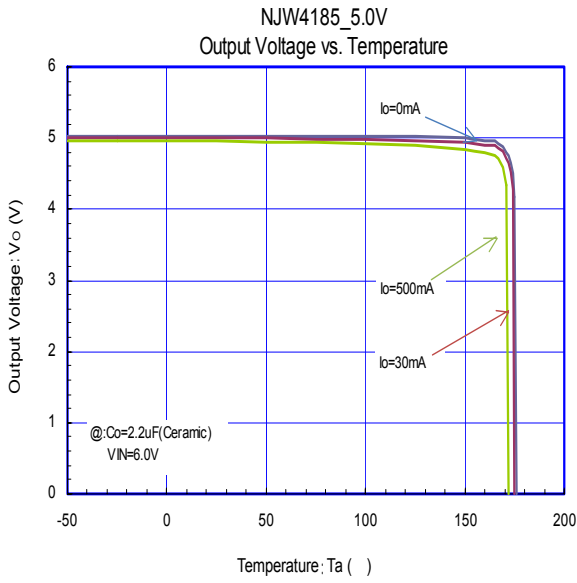
NJW4185_5.0V
Ripple Rejection Ratio vs. Frequency



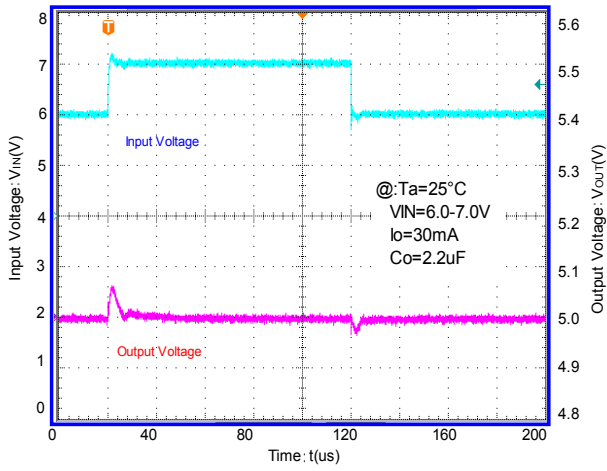
NJW4185_5.0V
Ripple Rejection Ratio vs. Output Current



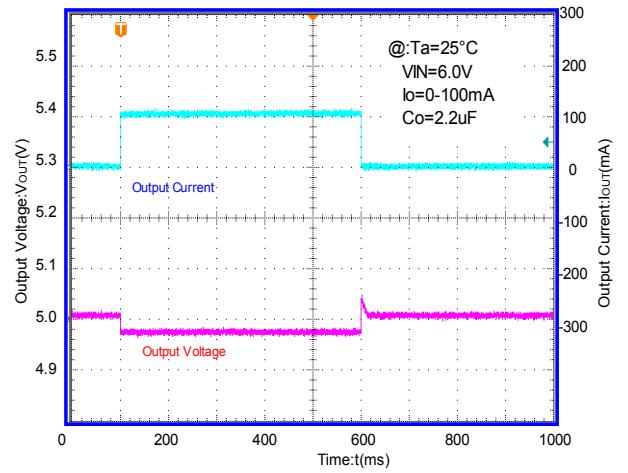




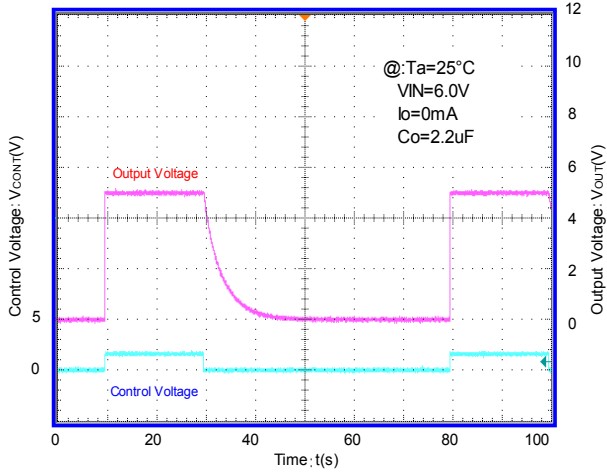
NJW4185_5.0V
Input Transient Response



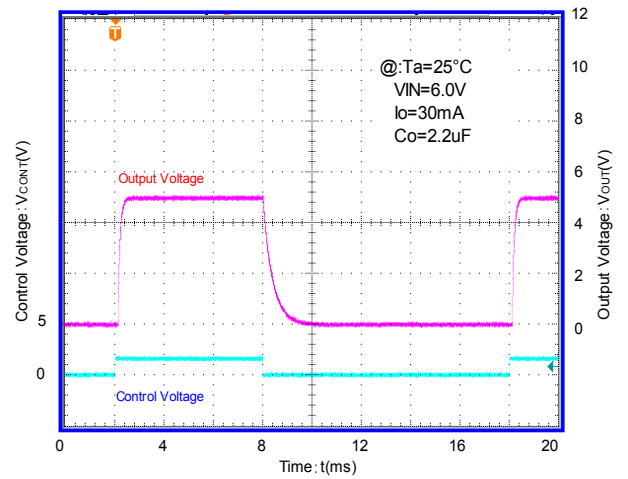
NJW4185_5.0V
Load Transient Response



NJW4185_5.0V
ON/OFF Transient Response without Load



NJW4185_5.0V
ON/OFF Transient Response



[CAUTION]

The specifications on this databook are only given for information, without any guarantee as regards either mistakes or omissions. The application circuits in this databook are described only to show representative usages of the product and not intended for the guarantee or permission of any right including the industrial rights.