

10W, AC/DC converter



FEATURES

- Ultra wide input voltage range: 90 - 528VAC/100 - 745VDC
- Regulated output, Low ripple & noise
- Operating temperature range: -40°C to +70°C
- Output short circuit, over-current, over-voltage protection
- Isolation voltage: 4KVAC
- EFT /Surge: ±4KV Perf. Criteria B
- Meets IEC62368, EN62368 standards (Pending)

LD10-26Bxx Series — a compact size power converter offered by Mornsun. It features ultra wide input voltage, taking both DC and AC input voltage, low power consumption, high efficiency, high reliability, safer isolation. Meets EN62368 standards. The isolation voltage is 4000VAC between input and output. The product meets IEC/EN61000-4, CISPR32/EN55032 Standard. Used in such as electrical, instrumentation industries. Suitable for demanding high isolation voltage and strict electromagnetic compatibility of various terminal applications.

Selection Guide

Certification	Part No.	Output Power	Nominal Output Voltage and Current(Vo/Io)	Efficiency (230VAC, %/Typ.)	Max. Capacitive Load (µF)
CE (Pending)	LD10-26B03	10W	3.3V/2000mA	72	15000
	LD10-26B05		5V/2000mA	76	15000
	LD10-26B09		9V/1100mA	78	6000
	LD10-26B12		12V/900mA	80	5000
	LD10-26B15		15V/700mA	80	3000
	LD10-26B24		24V/450mA	82	1000

Input Specifications

Item	Operating Conditions	Min.	Typ.	Max.	Unit
Input Voltage Range	AC input	90	--	528	VAC
	DC input	100	--	745	VDC
Input Frequency		47	--	63	Hz
Input Current	115VAC	--	--	0.40	A
	230VAC	--	--	0.23	
Inrush Current	115VAC	--	25	--	
	230VAC	--	40	--	
Leakage current		0.25mA RMS typ. 230VAC/50Hz			
Recommended External Input Fuse		3.15A/500VAC, slow fusing, necessary			
Hot Plug		Unavailable			

Output Specifications

Item	Operating Conditions	Min.	Typ.	Max.	Unit
Output Voltage Accuracy	LD10-26B03	--	±3	--	%
	Others	--	±2	--	
Line Regulation	Full load	--	±0.5	--	
Load Regulation	0% - 100% load	--	±1.0	--	
Ripple & Noise*	20MHz bandwidth (peak-peak value)	--	--	150	mV
Temperature Coefficient		--	±0.02	--	%/°C
Stand-by Power Consumption		--	--	0.75	W
Short Circuit Protection		Hiccup, continuous, self-recovery			
Over-current Protection		130 - 400%Io self-recovery			
Over - voltage protection	3.3/5V output	≤ 7.5 V (Output voltage clamp)			
	9V output	≤ 15 V (Output voltage clamp)			
	12/15V output	≤ 20 V (Output voltage clamp)			
	24V output	≤ 30 V (Output voltage clamp)			

Min. Load		0			%
Hold-up Time	230VAC input	--	35	--	ms
	400VAC input	--	100	--	

Note: *Parallel line test method is adopted to test the ripple and noise, connect the output capacitor to the external circuit Fig.1, please see AC-DC Converter Application Notes for specific operation methods.

General Specifications

Item	Operating Conditions	Min.	Typ.	Max.	Unit
Isolation Voltage	Input-output	4000	--	--	VAC
Operating Temperature	Work in the power drop curve range	-40	--	+70	°C
Storage Temperature		-40	--	+85	
Storage Humidity		--	--	95	%RH
Welding Temperature	Wave-soldering	260 ± 5°C; time: 5 - 10s			
	Manual-welding	360 ± 10°C; time: 3 - 5s			
Switching Frequency		--	65	--	kHz
Power Derating	+55°C to +70°C	3.0	--	--	% / °C
	-40°C to -10°C	1.0	--	--	
	90VAC - 110VAC	2.0	--	--	% / VAC
	480AVC - 528VAC	0.417	--	--	
Safety Standard		IEC62368/EN62368			
Safety Certification		IEC62368/EN62368 (Pending)			
Safety Class		CLASS II			
MTBF	MIL-HDBK-217F@25°C	≥ 300,000 h			

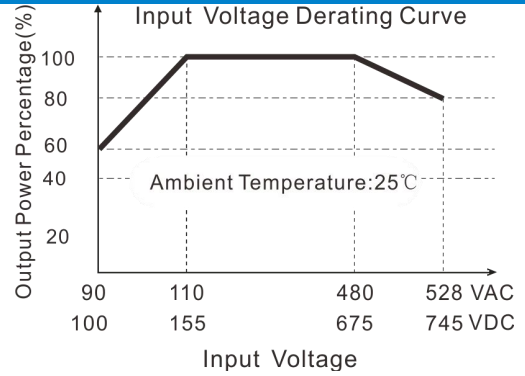
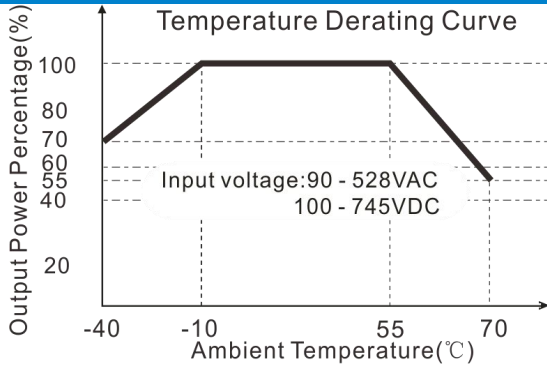
Physical Specifications

Casing Material	Black flame-retardant and heat-resistant plastic (UL94 V-0)
Dimension	62.00*45.00*30.00mm
Weight	120g (Typ.)
Cooling Method	Free air convection

EMC Specifications

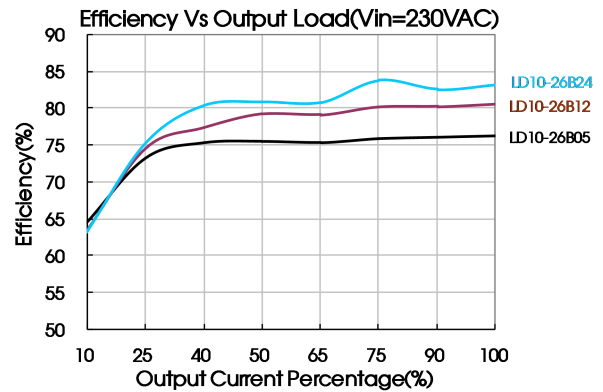
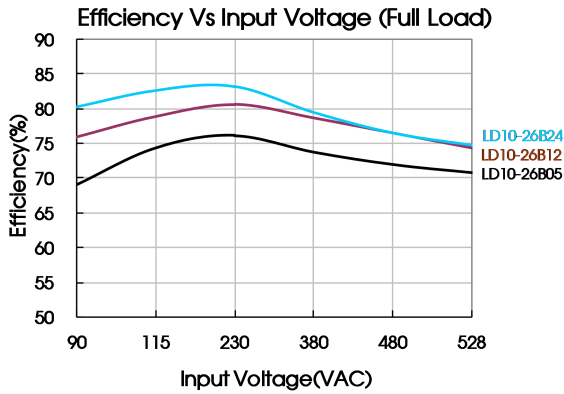
EMI	CE	CISPR32/EN55032	CLASS B	
	RE	CISPR32/EN55032	CLASS B	
EMS	ESD	IEC/EN 61000-4-2	Contact ±6KV/Air ±8KV	Perf. Criteria B
	RS	IEC/EN 61000-4-3	10V/m	perf. Criteria A
	EFT	IEC/EN 61000-4-4	±4KV	perf. Criteria B
	Surge	IEC/EN 61000-4-5	line to line ±2KV	perf. Criteria B
		IEC/EN 61000-4-5	line to line ±4KV (See Fig. 2 or Fig. 3 for recommended circuit)	perf. Criteria B
	CS	IEC/EN61000-4-6	10Vr.m.s	perf. Criteria A
	Voltage dips, short interruptions and voltage variations immunity	IEC/EN61000-4-11	0%,70%	perf. Criteria B

Product Characteristic Curve



Note:

- ① Input voltage should be derated based on temperature derating when it is 90 - 110VAC/480 - 528VAC/100 - 155 VDC/675 - 745VDC;
- ② This product is suitable for use in natural air cooling environments, if in a closed environment, please contact our company's FAE.



Design Reference

1. Typical application circuit

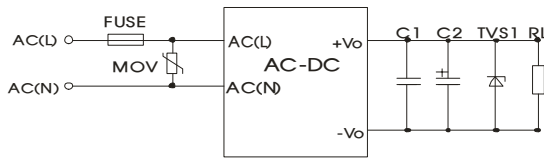


Fig. 1

Element model	C2 (uF)	TVS1
LD10-26B03	330	SMBJ7.0A
LD10-26B05	330	SMBJ7.0A
LD10-26B09	220	SMBJ12A
LD10-26B12	220	SMBJ20A
LD10-26B15	220	SMBJ20A
LD10-26B24	220	SMBJ30A

Note:

- 1. Output filtering capacitor C2 is electrolytic capacitor, it is recommended to use high frequency and low impedance electrolytic capacitor. For capacitance and current of capacitor please refer to manufacture's datasheet. Capacitor voltage reduced to at least 80%. C1 is ceramic capacitor, which is used to filter high-frequency noise, recommended 1μF. TVS is a recommended component to protect post-circuits if converter fails. External input MOV model is recommended to use S20K625

2. EMC solution-recommended circuit

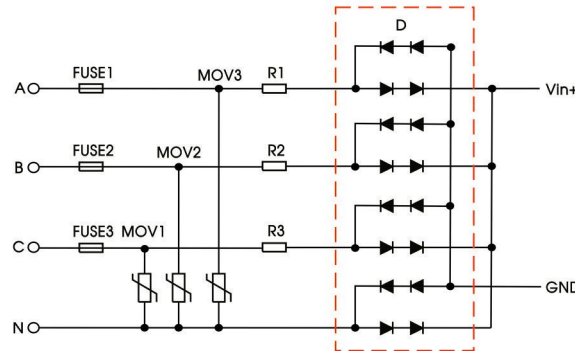


Fig. 2 Recommended circuit for applications which require 4KV differential-mode inrush standard (full-wave rectification)

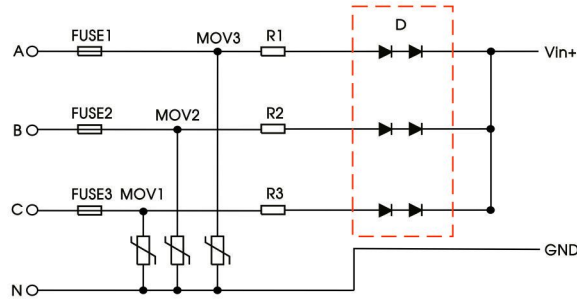


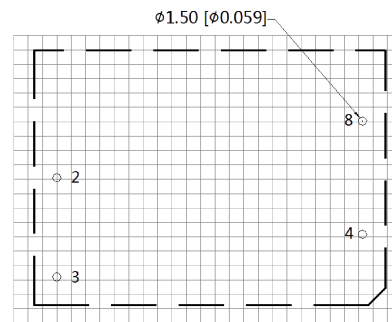
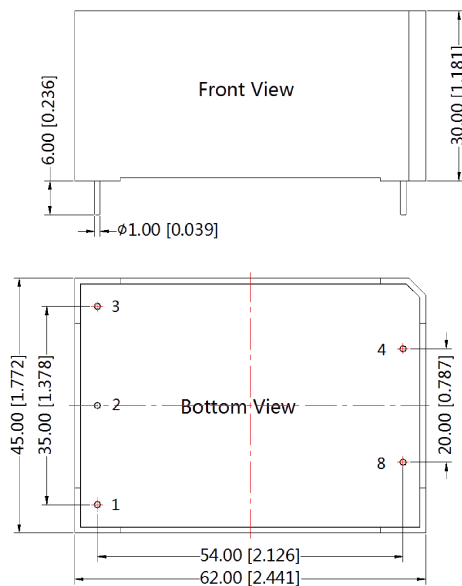
Fig. 3 Recommended circuit for applications which require 4KV differential-mode inrush standard (half-wave rectification)

Recommend Parameter For Higher EMC Standard Circuit	
Element model	Recommended value
MOV1, MOV2, MOV3	S20K510
D	2A/1000V
R1/R2/R3	10Ω/5W
FUSE1, FUSE2, FUSE3	3.15A/500VAC, slow fusing, necessary

3. For more information Please find the application note on www.mornsun-power.com

Dimensions and Recommended Layout

THIRD ANGLE PROJECTION



Note: Grid 2.54*2.54mm

Pin-Out	
Pin	Function
1	No pin
2	AC(N)
3	AC(L)
4	+Vo
8	-Vo

Note:
Unit: mm[inch]
Pin diameter tolerances: $\pm 0.10[\pm 0.004]$
General tolerances: $\pm 0.50[\pm 0.020]$

Notes:

1. Packing information please refer to Product Packing Information which can be downloaded from www.mornsun-power.com . Packing bag number: 58220017;
2. If the product is not operated within the required load range, the product performance cannot be guaranteed to comply with all parameters in the datasheet;
3. Unless otherwise specified, parameters in this datasheet were measured under the conditions of $T_a=25^{\circ}\text{C}$, humidity<75% with nominal input voltage and rated output load;
4. All index testing methods in this datasheet are based on our Company's corporate standards;
5. We can provide product customization service, please contact our technicians directly for specific information;
6. Products are related to laws and regulations: see "Features" and "EMC".
7. Our products shall be classified according to ISO14001 and related environmental laws and regulations, and shall be handled by qualified units.

MORNSUN Guangzhou Science & Technology Co., Ltd.

Address: No. 5, Kehui St. 1, Kehui Development Center, Science Ave., Guangzhou Science City, Luogang District, Guangzhou, P. R. China
Tel: 86-20-38601850-8801 Fax: 86-20-38601272 E-mail: info@mornsun.cn