

L05046 Constant Voltage LED Driver, 24Vdc, 36W

L1MLT024V-36E

Engineered for Best Fixture performance

Fulham LumoSeries drivers are all built on core engineering design principles for exceptional standards of performance and reliability in LED systems. Highest-grade critical components together with design features for thermal management ensure excellent reliability. Our low ripple designs create flicker-free lighting and perfectly smooth dimming. Simplicity of specification and installation is a key characteristic of all Fulham LumoSeries drivers. Hence the wide voltage and current ranges and industry leading low inrush current.



Constant voltage driver with industry leading efficiency built to the highest standards.

Engineered for Performance

- Industry leading efficiency
- Excellent EMC behavior
- Very high power factor

Engineered for Reliability

- Low inrush current
- Thermal protection
- Short and open circuit protection, overload and overvoltage protection

Engineered for Simplicity.

- Easy plug and play operation, no additional setup required

5 year warranty

Fulham LumoSeries takes pride in the quality of its products. We not only develop all products in house, they are also produced to ensure guaranteed reliability and performance. Fulham LumoSeries drivers come with the assurance of a 5 year warranty. After all, with typical LED lifetimes of 50,000 hours, it is critical to have a power supply with equal reliability.



Product features

- Low output current ripple (<10 %)
- Low inrush current
- High efficiency across a wide range of loads
- Power factor 0.97
- Efficiency 90%
- SELV
- ENEC certified
- Engineered and Manufactured in Europe

Certificates and standards

- ENEC05, CE
- EN55015 / EN61000-3-2 / EN61347-2-13 / EN61347-1 / EN61547 / EN62384 / SELV

Classifications



* Class II, enhanced insulation, when used with strain relieve.
** Class II, reinforced insulation, when built in without strain relieve

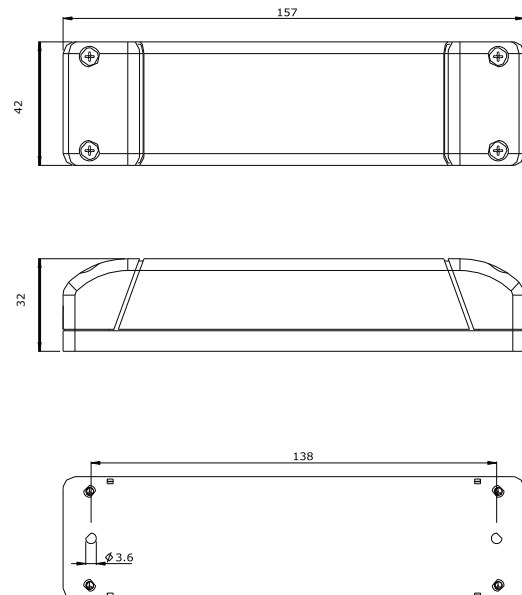
Specific technical data

Type	Efficiency at full load	Output voltage	Output Current range	Open circuit output voltage	Max. output power	Dimming
L05046	90%	24 Vdc	up to 1500mA	25Vdc	36 W	No

Technical data

Rated supply voltage	220-240 Vac
Input voltage	110-240 Vac / 150-375 Vdc*
Mains frequency	50/60 Hz
100 Hz ripple current	<10%
Power factor at full load	> 0.97
Startup time	< 1s
Warm up time to 95% of light output	< 50ms
Output isolation	SELV
Surge protection (diff. / comm.)	2 kV / 6 kV
IP classification	IP 20
Circuit lifetime	50,000 hrs at Tc max.
Case dimensions	157 x 42 x 32 mm
Case material	Polyamide 6 (PA6)

Dimensions



Inrush current

Mains max. peak inrush at full load	0.4A
-------------------------------------	------

Maximum number of drivers on automatic circuit breakers

Automatic circuit breaker type	C10	C13	C16	C20	B10	B13	B16	B20
L05046	49	64	78	98	49	57	64	98

Thermal specifications

Ambient temperature range (Ta)	-25 to 60°C
Maximum case temperature (Tc)	<80°C
Storage temperature range	-25 to 60°C

Overload protection

If the maximum output power is exceeded, the LED driver reduces the LED output current. After elimination of the overload the nominal operation is restored automatically.

Over temperature protection

The LED driver is protected against thermal overload. If the temperature limit is exceeded, the output current is reduced.

LED load

Fulham LumoSeries constant voltage LED drivers are designed to drive passive LEDs, COBs and LED assemblies. Proper function is not guaranteed when (LED)loads with active components are used.

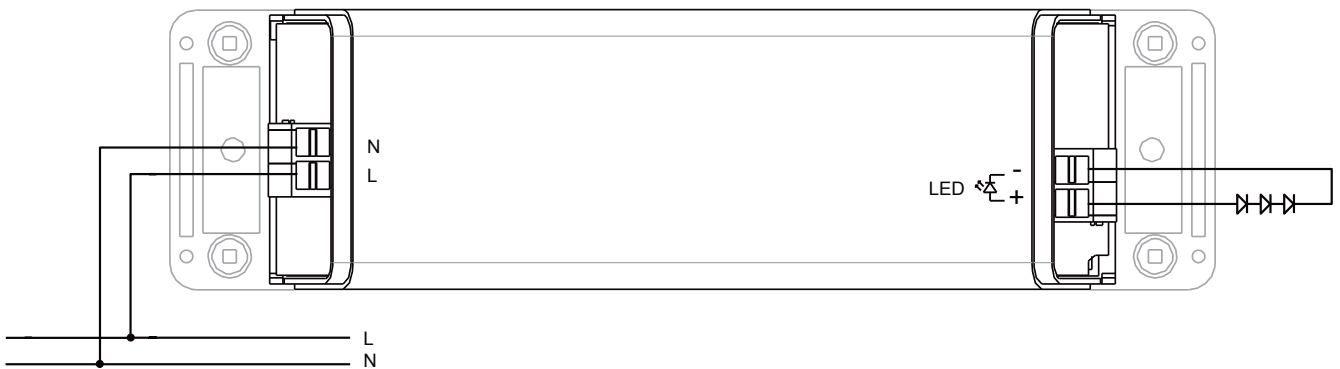
Short-circuit protection

In case of a short circuit the LED driver switches to protection mode. After the removal of the short-circuit the LED driver will recover automatically.

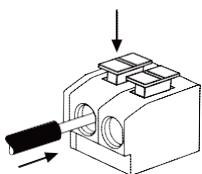
No-load operation

In no-load operation the output voltage will not exceed the specified open circuit output voltage.

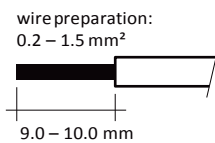
Wiring diagram



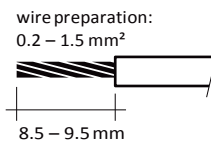
Wiring of device



Solid

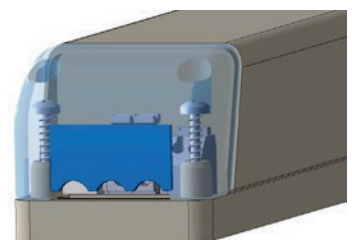


Stranded



Strain relief

The strain relief insert can be reversed or removed to accommodate wiring of various diameters.



Ordering data

Part	Part number	Alternate part number	EAN code	Packaging carton	Multibox carton	Weight per piece
L05046 Constant voltage LED Driver 36W, 24 Vdc	L05046	L1MLT024V-36E	8718801703458	50 pieces	150 pieces	165 g

Berenkoog 56
NL-1822 BZ Alkmaar
The Netherlands

www.Fulham.com

© 2017, Fulham Company All rights reserved. Designs and specifications may change without prior notice. Fulham products are not designed, intended, or authorized for any application in which the failure of the product could cause personal injury.