

# KEY Switch

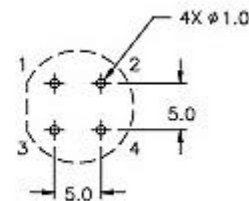
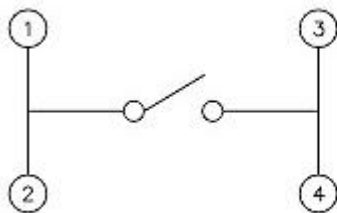
## Specifications

Rating	0.01A 35VDC
Electrical Life:	100,000 cycles min.
Operating Temp:	-10°C ~ +60°C
Switching Travel:	0.8mm
Contact Resistance:	50mΩ max. initial
Insulation Resistance:	100 MΩ min.
Dielectric Strength:	500VAC for 60 +/- 5 sec
Base Material:	PBT
Button Material:	PC
Contacts:	Silver plated
Function:	Momentary
Operating Force:	130 +/- 50gf
Soldering Method:	260°C max for 5 +/- 1 seconds
Solvent washing:	Non-washable



Ordering qty: 1000pcs

## Schematic/PCB Layout

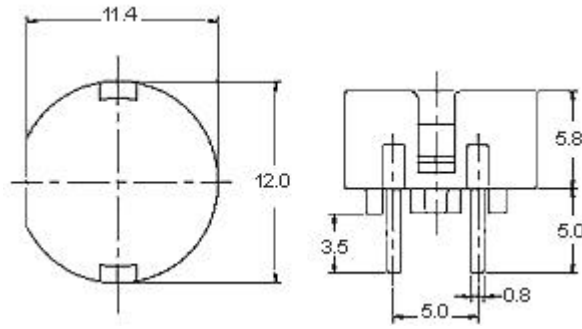


## Dimensions

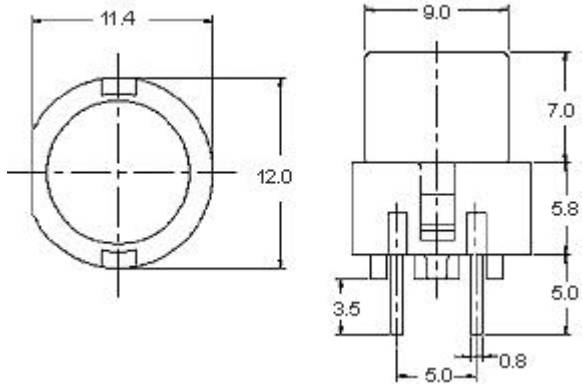
Model No.	Button Color
KEY-S-R	Red (187C)
KEY-S-Y	Yellow (115C)
KEY-S-G	Green (355C)
KEY-S-B	Black (3C2X)
KEY-S-L	Blue (2925C)
KEY-S-DGY	Dark Grey (11C)
KEY-S-LGY	Light Grey (5425C)
KEY-S-W	White

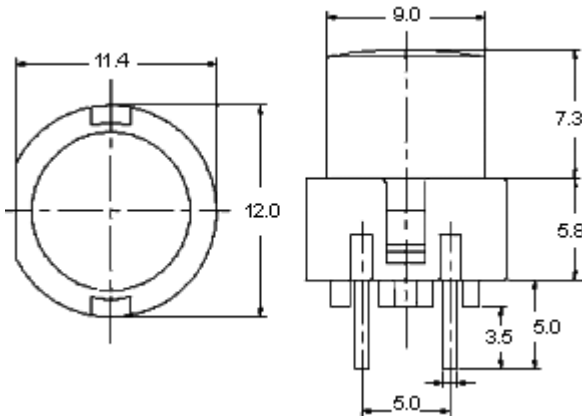
Model No.	Button Color
KEY-P-R	Red (187C)
KEY-P-Y	Yellow (115C)
KEY-P-G	Green (355C)
KEY-P-B	Black (3C)
KEY-P-L	Blue (2925C)
KEY-P-DGY	Dark Grey (11C)
KEY-P-LGY	Light Grey (5425C)
KEY-P-W	White

**KEY-L**

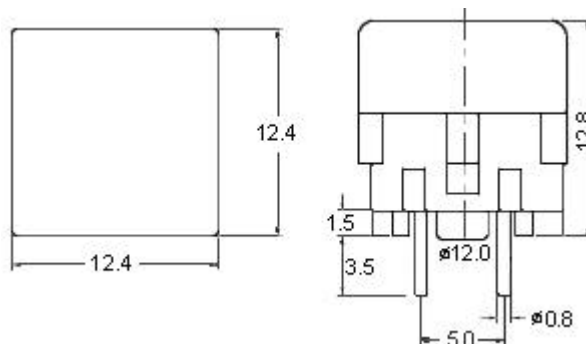
Model No.	Button Color
KEY-L-R	Red (187C)
KEY-L-Y	Yellow (115C)
KEY-L-G	Green (355C)
KEY-L-B	Black (3C)
KEY-L-L	Blue (2925C)
KEY-L-DGY	Dark Grey (11C)
KEY-L-LGY	Light Grey (5425C)
KEY-L-W	White

**KEY-R/ KEY-R3**

Model No.	Button Color
KEY-R-R	Red (187C)
KEY-R-Y	Yellow (115C)
KEY-R-G	Green (355C)
KEY-R-B	Black (3C)
KEY-R-L	Blue (2925C)
KEY-R-DGY	Dark Grey (11C)
KEY-R-LGY	Light Grey (5425C)
KEY-R-W	White



Model No.	Button Color
KEY-R3-R	Red (187C)
KEY-R3-Y	Yellow (115C)
KEY-R3-G	Green (355C)
KEY-R3-B	Black (3C)
KEY-R3-L	Blue (2925C)
KEY-R3-DGY	Dark Grey (11C)
KEY-R3-LGY	Light Grey (5425C)
KEY-R3-W	White

**KEY-K**

Model No.	Button Color
KEY-K-R	Red (186C)
KEY-K-Y	Yellow (115C)
KEY-K-G	Green (354C)
KEY-K-B	Black (3C)
KEY-K-L	Blue (2925C)
KEY-K-DGY	Dark Grey (11C)
KEY-K-LGY	Light Grey (5425C)
KEY-K-W	White
KEY-K-CH	Chrome plated