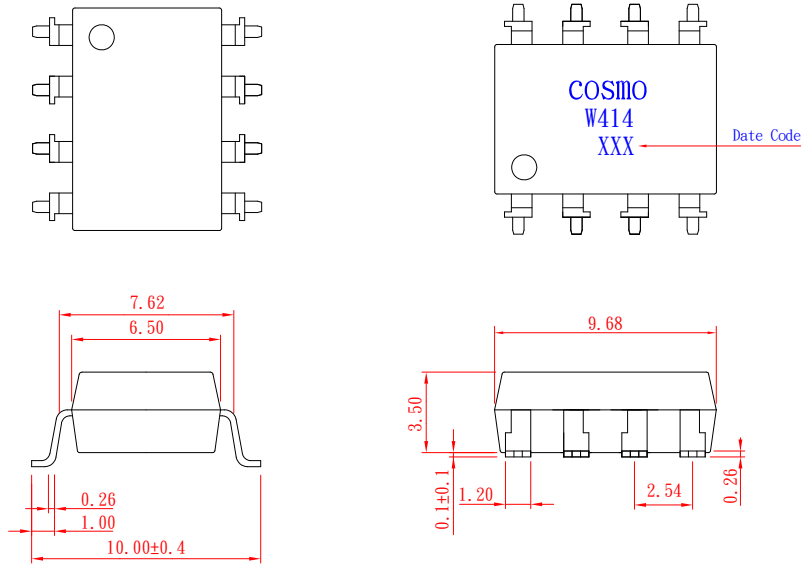


PRODUCT SPECIFICATION

DATE : 02/22/2011

cosmo ELECTRONICS CORPORATION	SOLID STATE RELAY - MOSFET OUTPUT KAQW414A	NO.61M21005	REV. 2
		SHEET 1 OF 7	

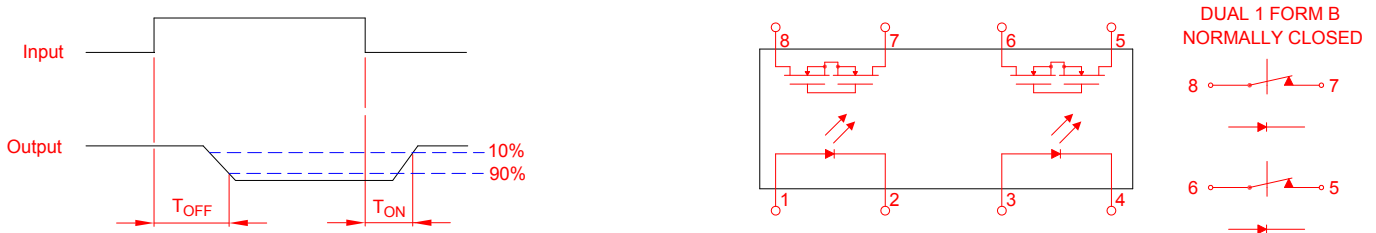
● OUTSIDE DIMENSION :



Unit : mm

Tolerance : ±0.2mm

● Operate / Reverse time



● Absolute Maximum Ratings

(Ta=25°C)

Emitter (Input)	Detector (Output)
Reverse Voltage 5.0V	Output Breakdown Voltage ± 400V
Continuous Forward Current 50mA	Continuous Load Current ± 130mA
Peak Forward Current 1A	Power Dissipation 500mW
Power Dissipation 100mW	
Derate Linearly from 25°C 1.3mW/°C	
General Characteristics	
Isolation Test Voltage 3750VACrms	Storage Temperature Range -40°C to +125°C
Isolation Resistance	Operating Temperature Range ... -40°C to +85°C
Viso=500V, Ta=25°C ≥ 10 ¹⁰ Ω	Junction Temperature 100°C
Total Power Dissipation 550mW	Soldering Temperature ,
Derate Linearly from 25°C 2.5mW/°C	2mm from case , 10 sec 260°C

PRODUCT SPECIFICATION

DATE : 02/22/2011

cosmo ELECTRONICS CORPORATION	SOLID STATE RELAY - MOSFET OUTPUT KAQW414A	NO.61M21005	REV.
		SHEET 2 OF 7	2

● Electro-optical Characteristics

(Ta=25°C)

Parameter	Symbol	Conditions	Min.	Typ.	Max.	Unit.
Emitter (Input)						
Forward Voltage	V_F	$I_F=10\text{mA}$		1.2	1.5	V
Operation Input Current	$I_{F\text{OFF}}$	$V_L=\pm 20\text{V}$, $I_L \leq 5\mu\text{A}$			5	mA
Recovery Input Current	$I_{F\text{ON}}$	$V_L=\pm 20\text{V}$, $I_L=100\text{mA}$, $t=10\text{mS}$	0.2			mA
Detector (Output)						
Output Breakdown Voltage	V_B	$I_B=50\mu\text{A}$, $I_F=10\text{mA}$	400			V
Output Off-State Leakage	$I_{T\text{OFF}}$	$V_T=100\text{V}$, $I_F=10\text{mA}$		0.2	2	μA
I/O Capacitance	C_{ISO}	$I_F=0$, $f=1\text{MHz}$		6		pF
ON Resistance	R_{ON}	$I_L=100\text{mA}$, $I_F=0\text{mA}$		25	50	Ω
Operate Time	T_{OFF}	$I_F=10\text{mA}$, $V_L=\pm 20\text{V}$ $t=10\text{ms}$, $I_L=\pm 100\text{mA}$		0.6	1.5	ms
Reverse Time	T_{ON}			0.3	1.0	ms

● MOS Relay Schematic and Wiring Diagrams

Schematic	Output configuration	Load	Connection	Wiring Diagrams
	2b	AC/DC	-	<p>(1) Two independent 1 Form B use</p> <p>(2) 2 Form B use</p>

PRODUCT SPECIFICATION

DATE : 02/22/2011

cosmo
ELECTRONICS CORPORATION

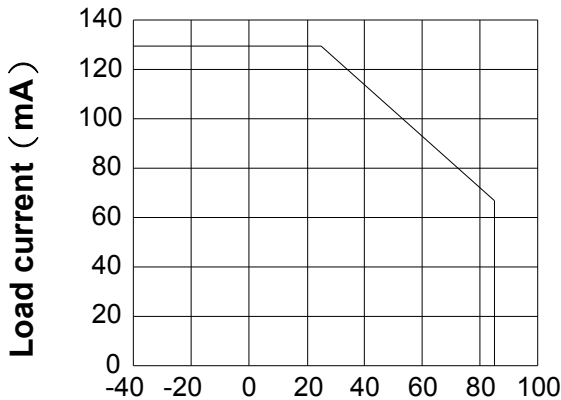
SOLID STATE RELAY - MOSFET OUTPUT
KAQW414A

NO.61M21005
SHEET 3 OF 7

REV.
2

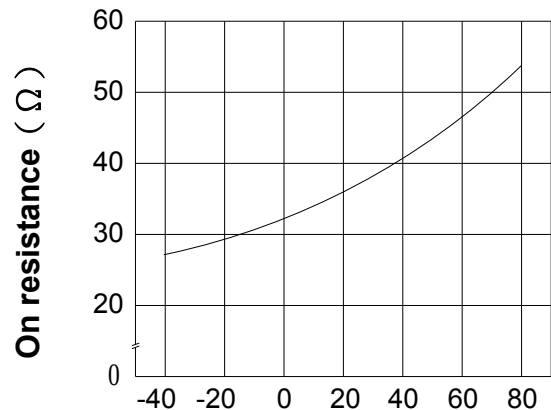
● Data Curve

Load current vs. ambient temperature
Allowable ambient Temperature :
-40°C to +85°C



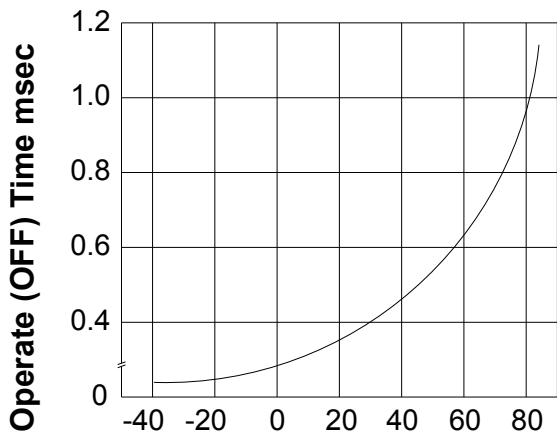
Ambient temperature Ta (°C)

On resistance vs. ambient temperature
across terminals 5 , 7 and 6 , 8 pin
LED current : 0mA
Continuous load current : 130mA (DC)



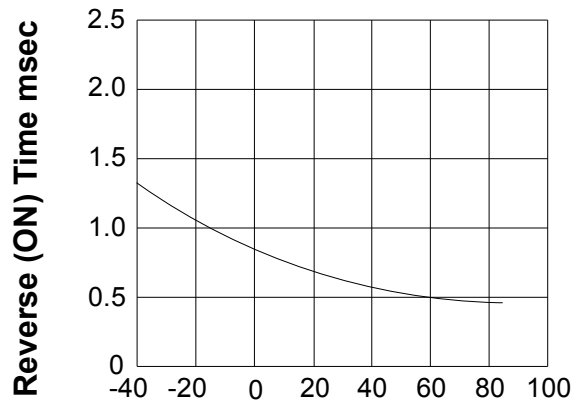
Ambient temperature Ta (°C)

Operate (OFF) time vs. ambient temperature
Load voltage 400V (DC)
LED current : 5mA
Continuous load current : 130mA (DC)



Ambient temperature Ta (°C)

Reverse (ON) time vs. ambient temperature
Load voltage 400V (DC)
LED current : 5mA
Continuous load current : 130mA (DC)



Ambient temperature Ta (°C)

PRODUCT SPECIFICATION

DATE : 02/22/2011

cosmo
ELECTRONICS CORPORATION

SOLID STATE RELAY - MOSFET OUTPUT
KAQW414A

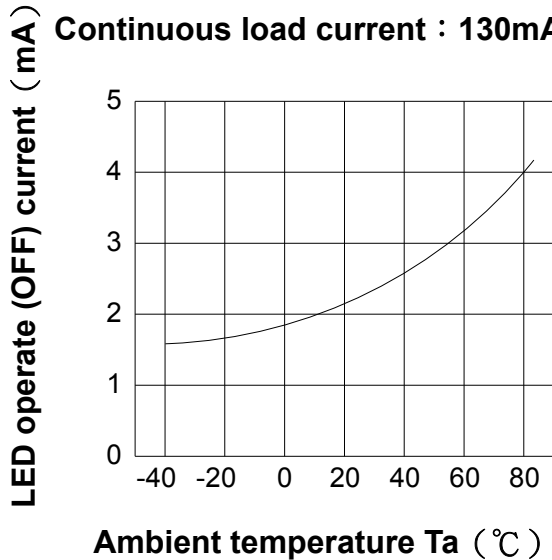
NO.61M21005
SHEET 4 OF 7

REV.
2

LED operate (OFF) current vs.
ambient temperature

Load Voltage : 400V (DC)

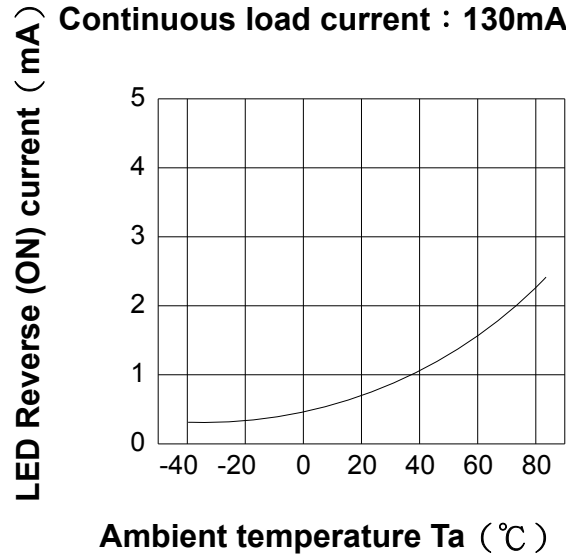
Continuous load current : 130mA (DC)



LED Reverse (ON) current vs.
ambient temperature

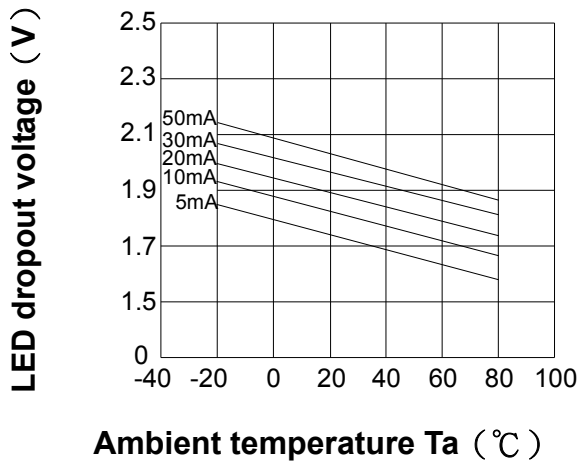
Load Voltage : 400V (DC)

Continuous load current : 130mA (DC)



LED dropout voltage vs.
ambient temperature

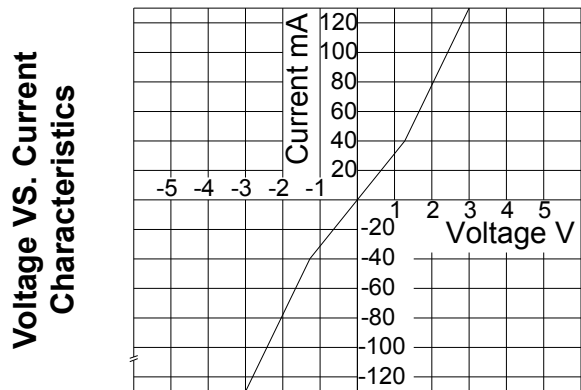
LED current : 5 to 50mA



Voltage vs. current characteristics of
output at MOSFET portion

Measured portion : across terminals
5 , 7 and 6 , 8 pin

Ambient temperature : 25°C



PRODUCT SPECIFICATION

DATE : 02/22/2011

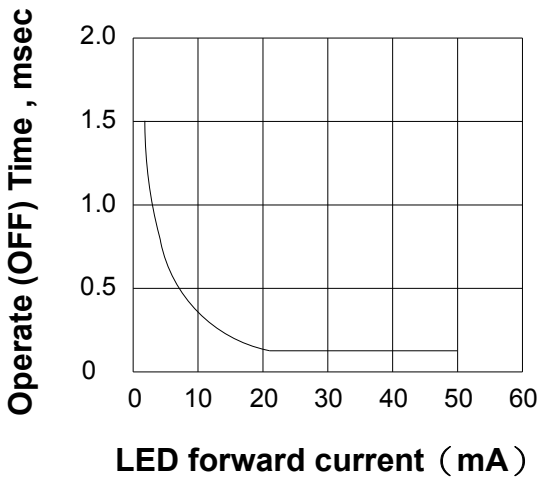
cosmo
ELECTRONICS CORPORATION

SOLID STATE RELAY - MOSFET OUTPUT
KAQW414A

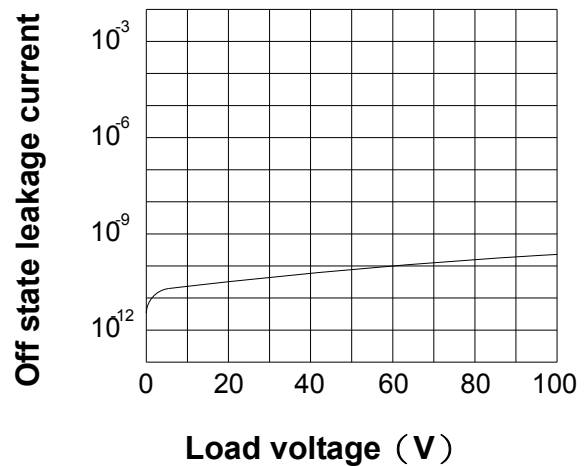
NO.61M21005
SHEET 5 OF 7

REV.
2

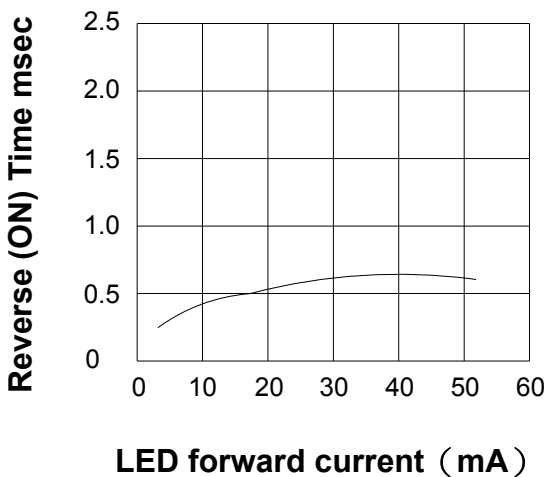
LED forward current vs. Operate (OFF) time
Across terminals 5 , 7 and 6 , 8 pin
Load voltage : 400V (DC)
Continuous load current : 130mA (DC)
Ambient temperature : 25°C



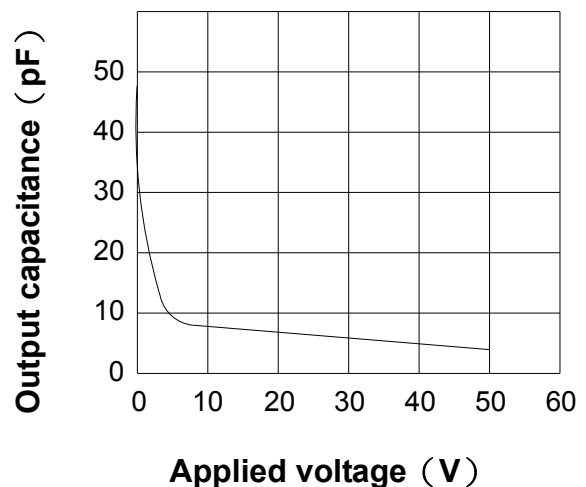
Off state leakage current
Across terminals 5 , 7 and 6 , 8 pin
Ambient temperature : 25°C



LED forward current vs. Reverse (ON) time
Across terminals 5 , 7 and 6 , 8 pin
Load voltage : 400V (DC)
Continuous load current : 130mA (DC)
Ambient temperature : 25°C



Applied voltage vs. output capacitance
Across terminals 5 , 7 and 6 , 8 pin
Frequency : 1MHz
Ambient temperature : 25°C



PRODUCT SPECIFICATION

DATE : 02/22/2011

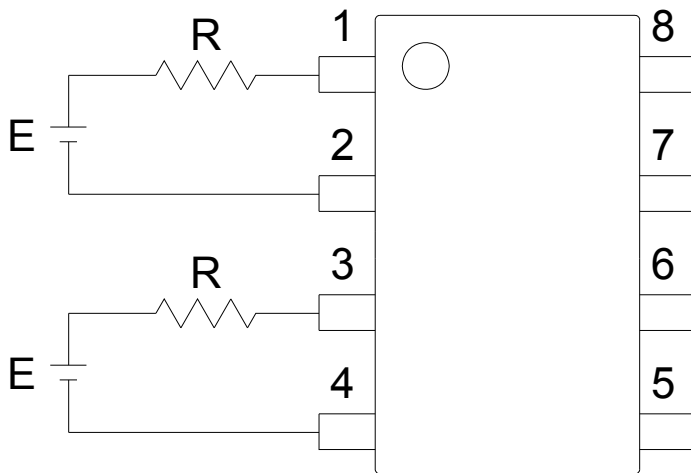
cosmo ELECTRONICS CORPORATION	SOLID STATE RELAY - MOSFET OUTPUT KAQW414A	NO.61M21005	REV. 2
		SHEET 6 OF 7	

● USING METHODS

Examples of resistance value to control LED forward current (I_F)

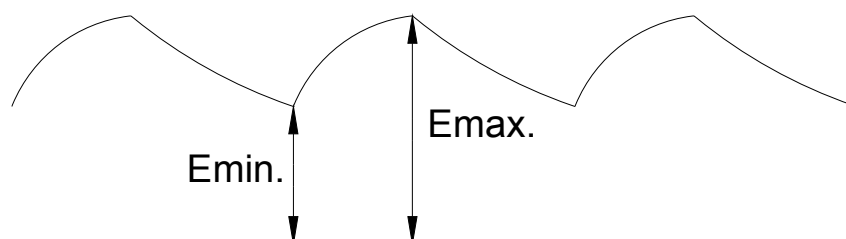
SSR-MOSFET OUTPUT

($I_F=5\text{mA}$)



E	R
3.3V	Approx. 330 Ω
5V	Approx. 640 Ω
12V	Approx. 1.9K Ω
15V	Approx. 2.5K Ω
24V	Approx. 4.1K Ω

- (1) LED forward current must be more than 5mA , at E min.
- (2) LED forward current must be less than 50mA , at E max.



PRODUCT SPECIFICATION

DATE : 02/22/2011

cosmo
ELECTRONICS CORPORATION

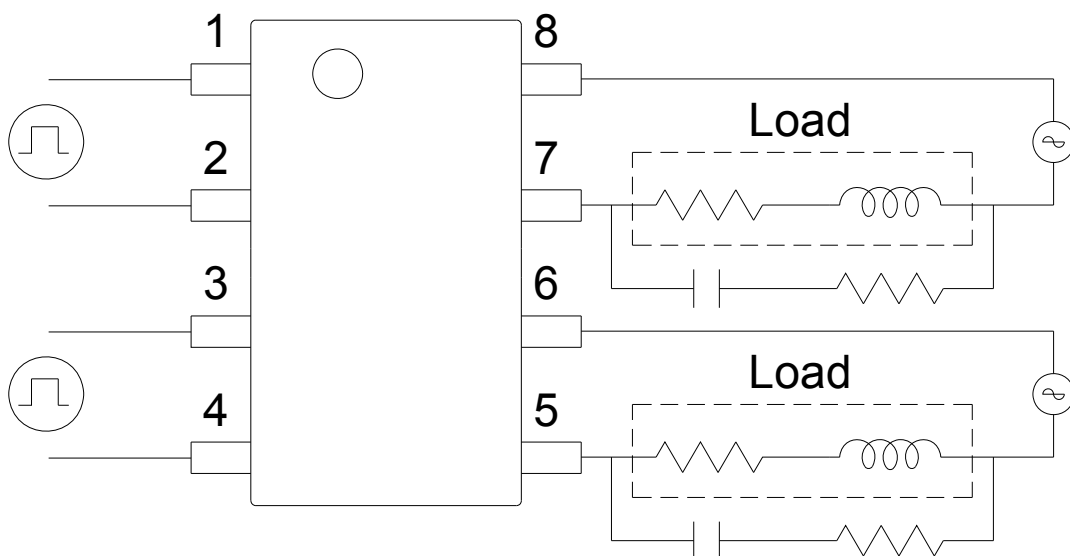
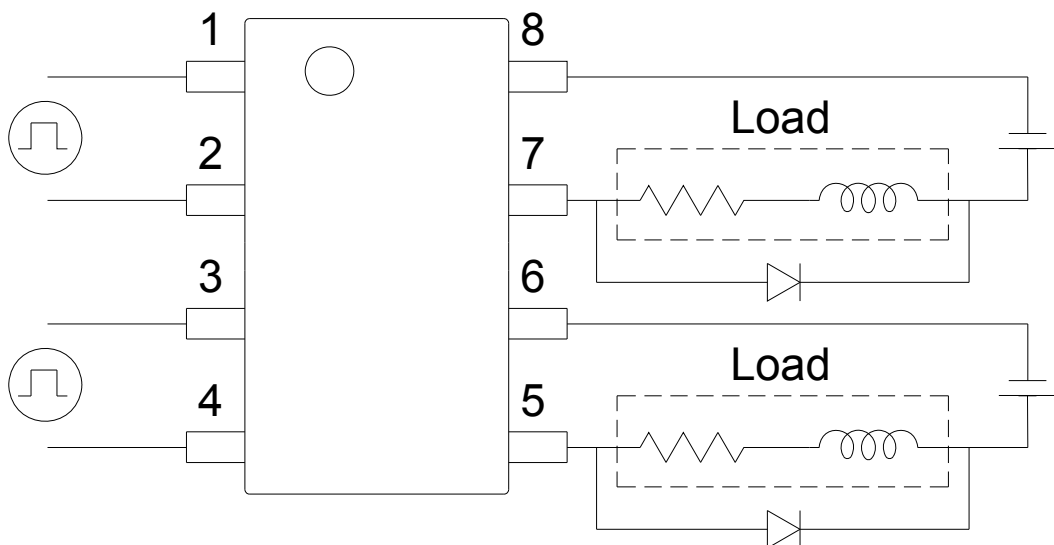
SOLID STATE RELAY - MOSFET OUTPUT
KAQW414A

NO.61M21005
SHEET 7 OF 7

REV.
2

● USING METHODS

Regulate the spike voltage generated on the inductive load as follows :



R-C Snubber