

GSMQB2-085-A

1. Explanation of Part Number

GSM – QB2 - 085 – A
 (1) (2) (3) (4)

- (1) Series type, GSM&WCDMA Flat Antenna
 (2) QB2: 850 MHz,900MHz,1800MHz,1900MHz ,2170 MHz
 Appearance 1, molding with black color
 (3) 085: RF Cable length & Connector type
 (4) A: Spare code
 ※ **RoHS Compliant**

2. Appearance: (FOR 085)

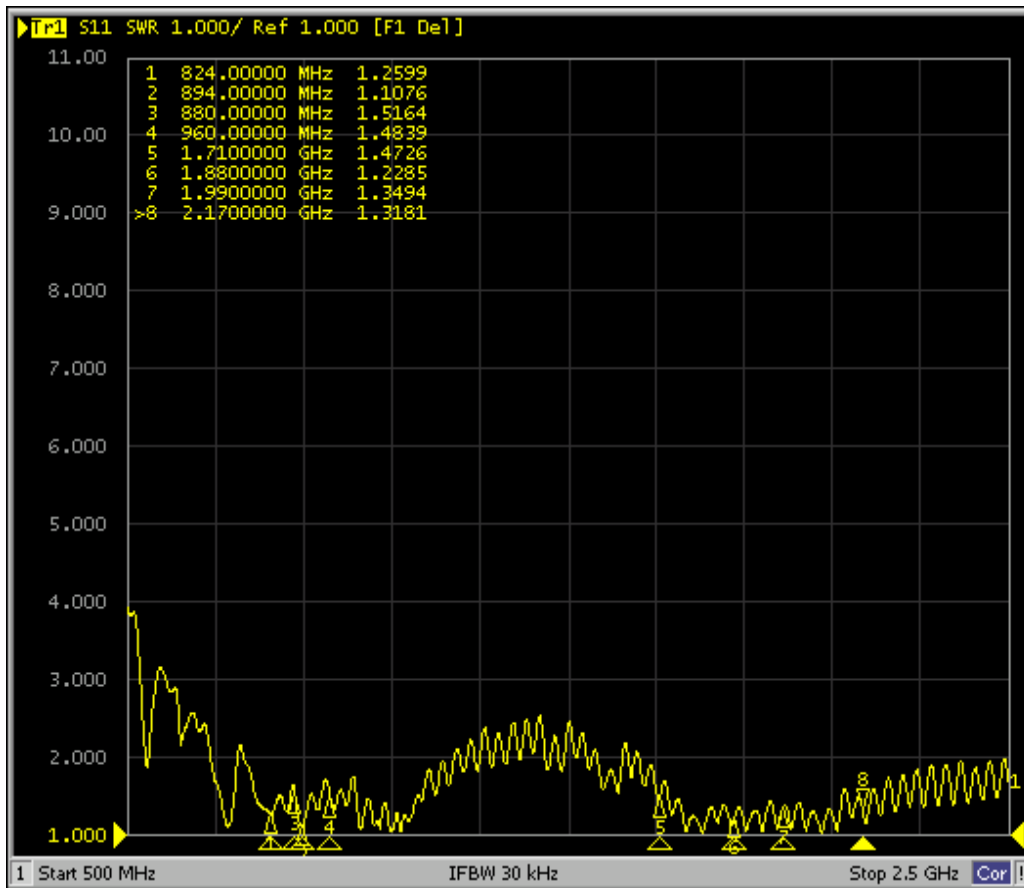
Antenna Unit (with connector , and cable – refer to an attached drawing)
 Connector SMA (Nickel plating) ; Cable RG-174 3000mm

3. Specification:

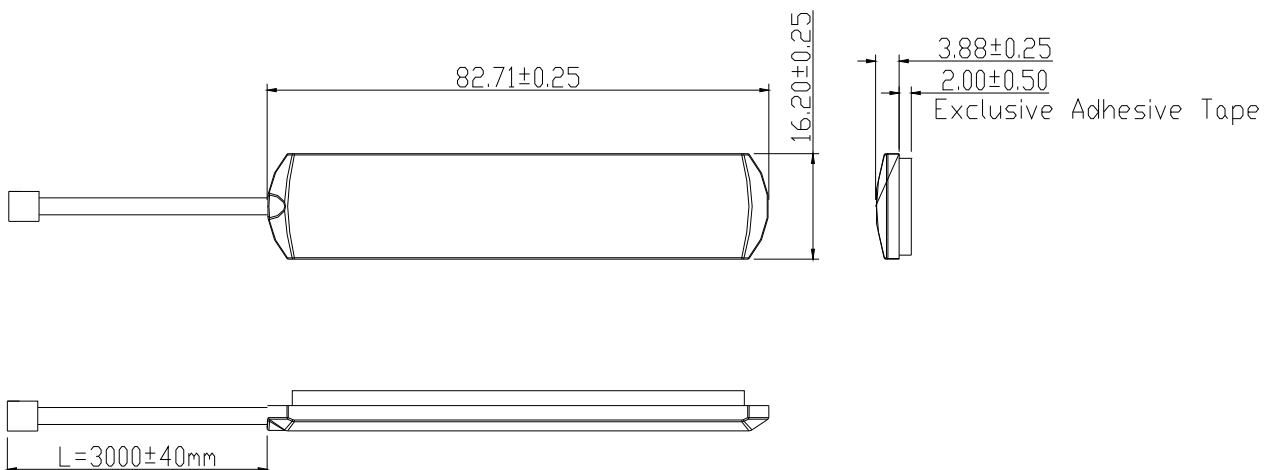
3.1 Specification:

Item	Specification
Frequency Range	824~896 MHz (US-GSM,CDMA-2000) 880~960 MHz (GSM) 1710~1880MHz (DCS) 1850~1990MHz (PCS) 1920~2170 MHz(WCDMA)
VSWR	3.5 max.
Antenna gain (do not include the cable loss)	2.0 dBi Max.
Polarization	Vertical
Impedance	50 Ohm
Operating temperature	-30~+70℃
Storage temperature	-40~+85℃
Power handling	10W Max

3.2 Typical VSWR Value



4. Mechanical properties:



5. Installation & Bonding:

5.1 Installation:

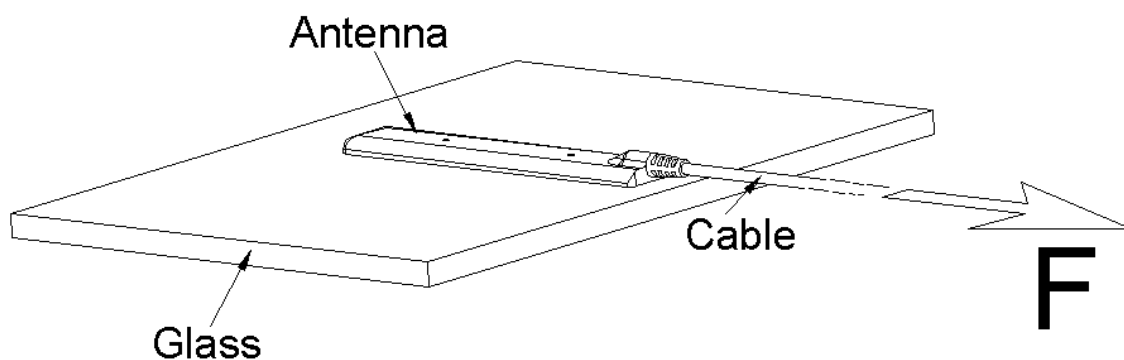
Install antenna on glass or plastic material with vertical and far from metallic frame approximate 50 mm.

5.2 Bonding Steps:

- a. Solvent Wipe.
- b. Wipe Dry.
- c. Stick antenna on glass or plastic material.
- d. Squeeze the surface.

5.3 Pull force test:

- a. Following 4.2. Installing step and test conditions:



- b. With 10 kgw pull force for 3 seconds; antenna drift less 5 mm and the structure of antenna is well.