

MDL GPS/N-3V0 IPEX MHF φ1.13 55mm GPS336N-S3-00-A

1. Application:

This application shall apply for antenna unit which shall be used with an engine for an automobile.(for impedance 50Ω)

2. Appearance:

Antenna Unit (with radome, connector, and cable – refer to an attached drawing)

Dimensions	50*8.2*2.5mm (typ)	;	Radome	#N
Weight	2.0±1g	;	Connector	IPEX MHF
Color	Gray	;	Cable	φ1.13 55mm
PCB	lead free			

3. Operating Condition:

Temperature -40 to +90 °C

4. Storage Condition:

Temperature -40 to +90 °C
Humidity 65±20 % RH

5. Electrical Specification:

* All value are defined at 25±15 °C, 65±20 % RH, power handling 1 u watt, air pressure 960 ±100 HPA unless otherwise noted.

* Chip ACD5036 characteristics are measured with test ground plane in a 3D chamber.

■ CHIP Specification. (Tested with ground 50*8.2 mm)

Characteristics	Specification
Frequency range	1575MHz±1.5MHz
Polarization	Linear
Pattern	Omni-Directional
Ref. Impedance	50 ohm
Peak Gain	2.03dBi (typ.)
Efficiency [%]/[dB]	50.56% / -2.96dBi (typ.)
Size	5.0mm x 3.6mm x 0.7mm

■ Filter/LNA Specification.

Characteristics	Specification
Center Frequency	1575.42±1.023 MHz
Gain	27±3dB (DC=3.0V)
Noise Figure	1.5dB typ and 2.0dB max (DC=3.0V)
Output V.S.W.R	2.0 max (DC=3.0V)
Operation Voltage	3.0±0.3V
Consumption Current	6±2 mA (DC=3.0±0.01V)

UNLESS OTHER SPECIFIED TOLERANCES ON :

X=± X.X=± X.XX=±
A N G L E S = ± H O L E D I A = ±



INPAQ TECHNOLOGY CO., LTD.

SCALE : N/A

UNIT : mm

DRAWN BY : 巫冠賢

CHECKED BY : 楊奇峰

DESIGNED BY : 莊意堂

APPROVED BY : 曾源標

THIS DRAWINGS AND SPECIFICATIONS ARE THE PROPERTY OF INPAQ TECHNOLOGY CO.,LTD.AND SHALL NOT BE REPRODUCED OR USED AS THE BASIS FOR THE MANUFACTURE OR SALE OF APPARATUS OR DEVICES WITHOUT PERMISSION

TITLE : MDL GPS/N-3V0 IPEX-MHFφ1.13 55mm
GPS336N-S3-00-A

DOCUMENT NO.

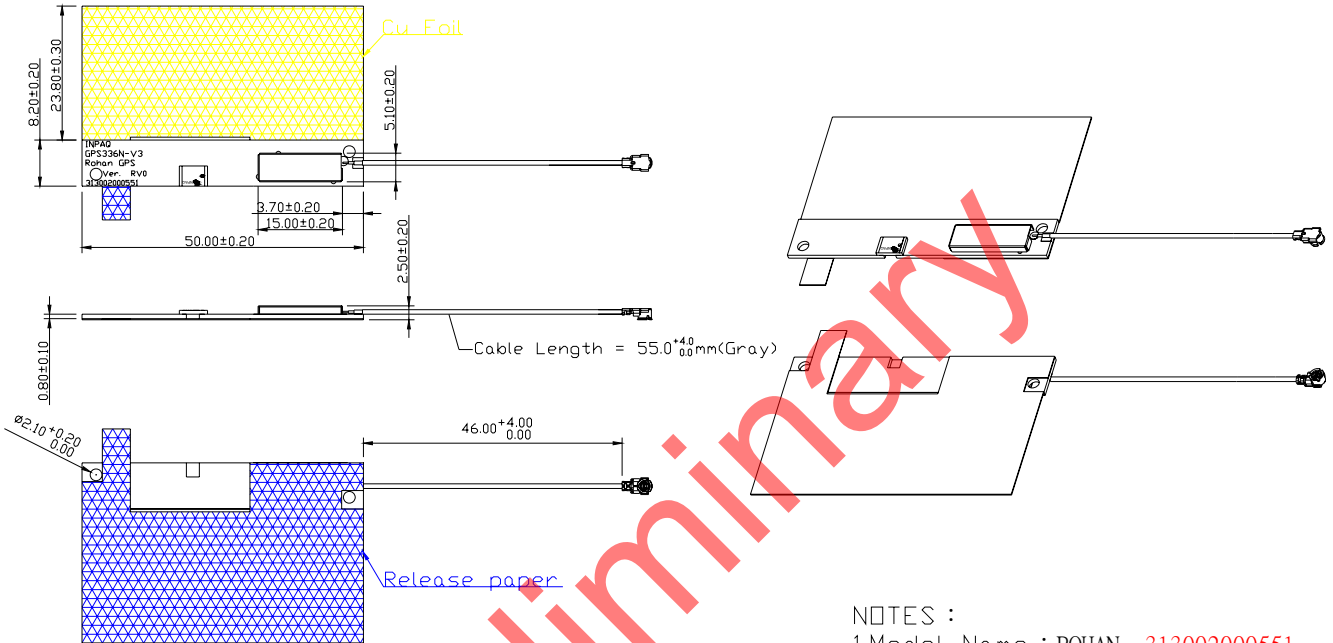
ENS000025040

SPEC REV.
P2

Overall Specification. (Through CHIP, LNA, with cable loss)

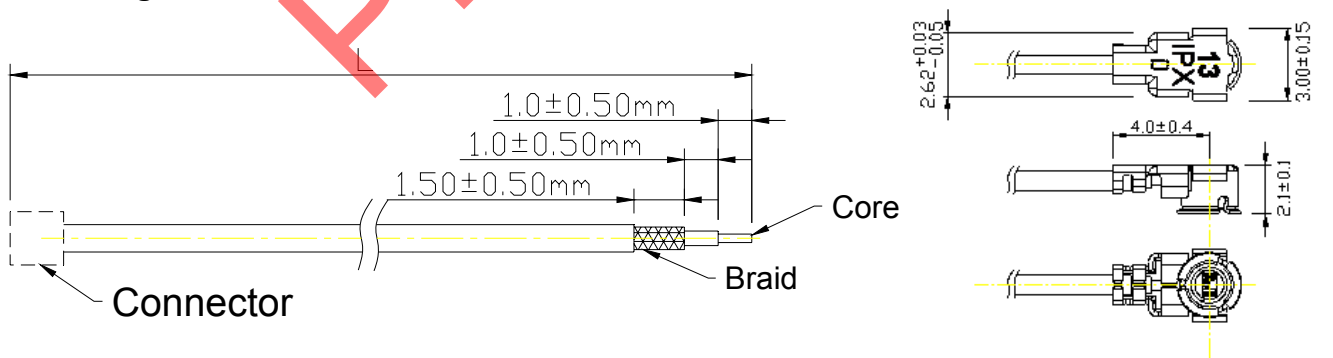
Characteristics	Specification
Center Frequency	1575.42±1.023 MHz
Average Gain	24.04 dBi typ (tested with ground 50*8.2 mm)
Output Impedance	50ohm
Output VSWR	2.0 typ
Operation Voltage	3.0±0.3V
Consumption Current	6±2 mA (DC=3.0±0.01V)

6. Antenna Dimensions: (unit: mm)



NOTES :
1.Model Name : ROHAN, 313002000551

Cable length :



Connector : I-PEX MHF (此為示意圖且成品內應標示"IPX")

Cable : RF Cable 1.13(灰色) , L : 55+4/-0mm

UNLESS OTHER SPECIFIED TOLERANCES ON :

X=± X.X=± X.XX=±
 ANGLES = ± HOLE DIA = ±



INPAQ TECHNOLOGY CO., LTD.

SCALE : N/A

UNIT : mm

DRAWN BY : 巫冠賢

CHECKED BY : 楊奇峰

DESIGNED BY : 莊意堂

APPROVED BY : 曾源標

THIS DRAWINGS AND SPECIFICATIONS ARE THE PROPERTY OF INPAQ TECHNOLOGY CO.,LTD.AND SHALL NOT BE REPRODUCED OR USED AS THE BASIS FOR THE MANUFACTURE OR SALE OF APPARATUS OR DEVICES WITHOUT PERMISSION

TITLE : MDL GPS/N-3V0 IPEX-MHFφ1.13 55mm
 GPS336N-S3-00-A

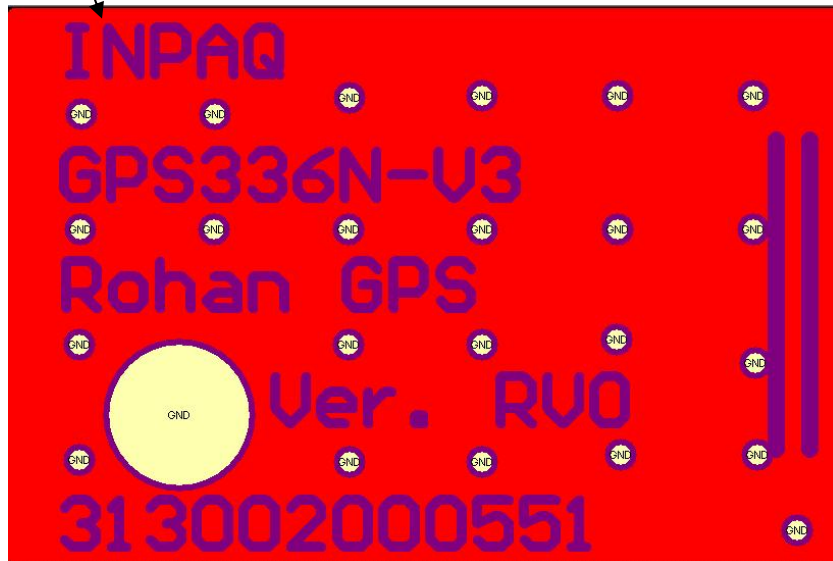
DOCUMENT NO.

ENS000025040

SPEC REV.

P2

7. PCB TOP View :



Preliminary

UNLESS OTHER SPECIFIED TOLERANCES ON :

X=± X.X=± X.XX=±
 ANGLES = ± HOLE DIA = ±



INPAQ TECHNOLOGY CO., LTD.

SCALE : N/A

UNIT : mm

DRAWN BY : 巫冠賢

CHECKED BY : 楊奇峰

DESIGNED BY : 莊意堂

APPROVED BY : 曾源標

THIS DRAWINGS AND SPECIFICATIONS ARE THE PROPERTY OF INPAQ TECHNOLOGY CO.,LTD.AND SHALL NOT BE REPRODUCED OR USED AS THE BASIS FOR THE MANUFACTURE OR SALE OF APPARATUS OR DEVICES WITHOUT PERMISSION

TITLE : MDL GPS/N-3V0 IPEX-MHFφ1.13 55mm
 GPS336N-S3-00-A

DOCUMENT NO.

ENS000025040

SPEC REV.
 P2