

Automotive Antenna

Specification

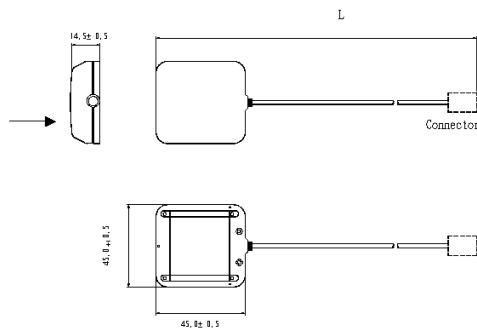
Type	Aftermarket	
Part No	GPS03B-D3-00-A	GPSGLONASS03D-S6-05-A
	GPS316K-S5-29-A	(SIRIUS+XM)SIOOK-D5-00-A
	GPS10D-D3/D5-XX-A	(GPS+Glonass+GSM)
	B3G02G-S3-XX-A	GNSP5-25U2W-S3-00-A
	GPSGLONASS02G-S3-XX-A	(GPS+GSM) GPS01R-S3-23-A

Product name	GPS03B-D3-00-A	GPS316K-S5-29-A
--------------	----------------	-----------------

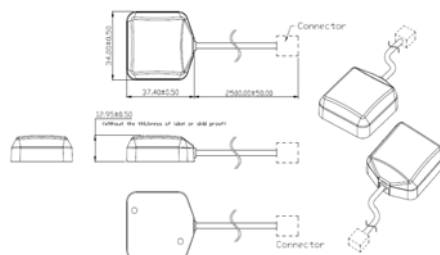


Specification		
Frequency Range (MHz)	1575.42 ±1.023	1575.42 ±1.023
Gain (dB)	27	23±3
Noise Figure (dB)	1.5 typ.	2.0 typ.
Filter Outband attenuation	7dB min. fo±20MHz 20dB min. fo±50MHz 30dB min. fo±100MHz (fo=1575.42MHz)	20dB typ. fo±20MHz 30dB typ. fo±30MHz 30dB typ. fo±50MHz 40dB typ. fo±100MHz (fo=1575.42MHz)
Output V.S.W.R	2.0 max.	2.0 max.
Voltage (V)	3.3±0.6	5.0±1.0
Current (mA)	9.0 typ., 12 max.	26±4.0 (DC 5.0±0.1V)
Dimension (mm)	a. 45 x 45 x 14.5	b. 37.4 x 34.0 x 12.95

a



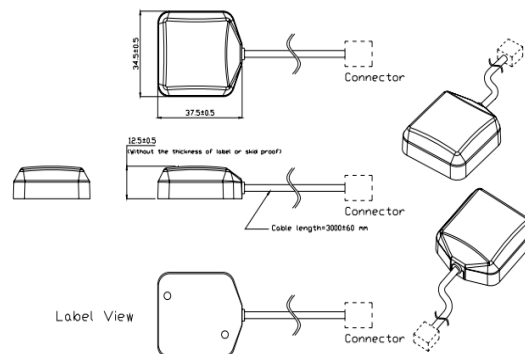
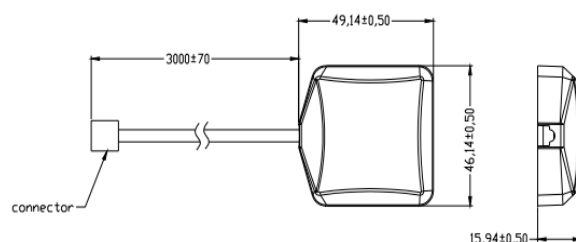
b



Product name
GPS10D-D3/D5-XX-A
B3G02G-S3-XX-A
Appearance

Specification

	GPS10D-D3/D5-XX-A	B3G02G-S3-XX-A
Frequency Range (MHz)	1575.42 ±1.023/ 1575.42 ±2	1558~1615
Gain (dB)	27±3/ 29±3	1561.098 MHz 25±3 dB (at 3.3±0.1 V) 1575.42 MHz 27±3 dB (at 3.3±0.1 V) 1602 MHz 27±3 dB (at 3.3±0.1 V) 1606 MHz 27±3 dB (at 3.3±0.1 V)
Noise Figure (dB)	1.5 typ./ 2.0 typ.	2.0 typ.
Filter Outband attenuation	7dB typ. fo±20MHz 20dB typ. fo±50MHz 30dB typ. fo±100MHz (fo=1575.42MHz)	32dB typ. fo±50MHz 45dB typ. fo±100MHz
Output V.S.W.R	2.0 max.	2.0 max.
Voltage (V)	3.3±0.6/ 5.0±0.6	3.3±0.6
Current (mA)	12±3 (at 3.3±0.1V) / 20±2 (at 5.0±0.1V)	10±3 (at 3.3±0.1 V)
Dimension (mm)	c. 37.5 x 34.5 x 12.5	d. 49.14 x 46.14 x 15.94

a

b


Product name

GPSGLONASS02G-S3-XX-A

GPSGLONASS03D-S6-05-A

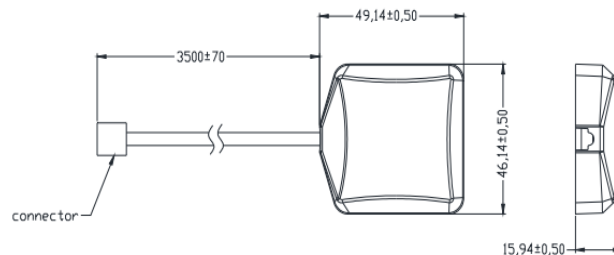
Appearance



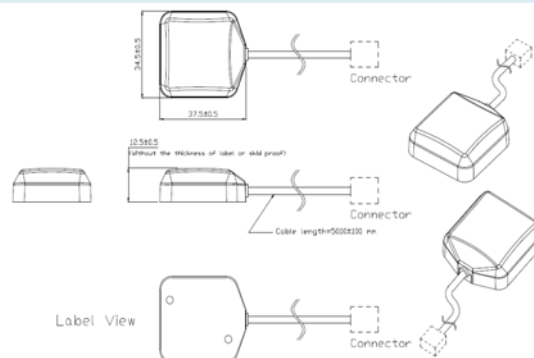
Specification

Frequency Range (MHz)	1575~1615	1575~1615
Gain (dB)	1575.42MHz : 27±3 1602MHz : 27±3	1575.42MHz : 27±3 (at 3.0±0.1V) 32±3 (at 5.0±0.1V) 1602MHz : 27±3 (at 3.0±0.1V) 32±3 (at 5.0±0.1V)
Noise Figure (dB)	2.0 typ.	2.0 typ.
Filter Outband attenuation	34.0dB typ. fo±50MHz 49.0dB typ. fo±100MHz (fo=1575.42MHz~1602MHz)	30.0dB typ. fo±50MHz 35.0dB typ. fo±50MHz (fo=1575.42MHz ~ 1602MHz)
Output V.S.W.R	2.0 max.	2.5 max.
Voltage (V)	3.3±0.6	3.0~5.0
Current (mA)	10±3 (at 3.3±0.1V)	DC=8 ± 3 (at 3.0±0.1V) DC=16 ± 3 (at 5.0±0.1V)
Dimension (mm)	a. 49.14 x 46.14 x 15.94	b. 37.4 x 34.0 x 12.95

a



b

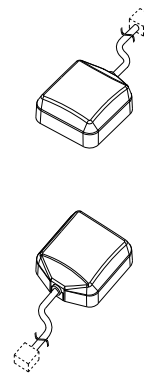
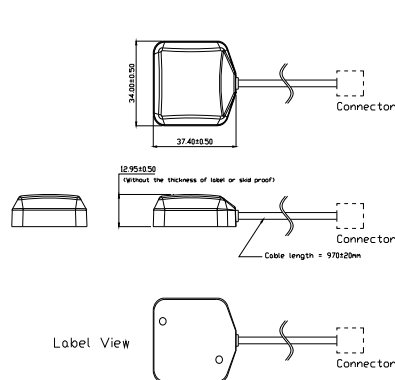
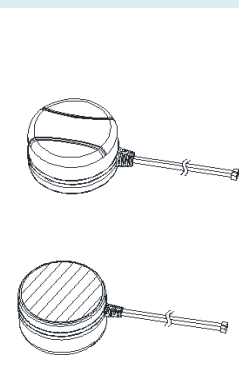
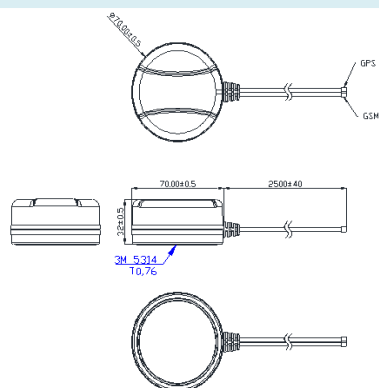


Product name	(SIRIUS+XM) SIOOK-D5-00-A SDARS	(GPS+Glonass+GSM) GNSP5-25U2W-S3-00-A
--------------	------------------------------------	--

Appearance

Specification

Frequency Range (MHz)	2332.5	1575~1615
Gain (dB)	35	1575.42 MHz 27±3 (at 3.0±0.1V) 1602 MHz 27±3 (at 3.0±0.1V)
Noise Figure (dB)	1.2 typ.	2.5 typ.
Filter Outband attenuation	NA	34dB typ. fo±50MHz 49dB typ. fo±100MHz (fo=1593MHz)
Output V.S.W.R	2.0 max.	2.0 max
Voltage (V)	3.0~8.0	3.0±0.6V
Current (mA)	15 typ.	10±3 (at 3.0±0.1V)
Dimension (mm)	a. 37.5 x 34.5 x 12.5	b. Ø:70mm, H:31.5

a

b


Product name

(GPS+GSM)
GPS01R-S3-23-A

Appearance



Specification

Frequency Range (MHz)	1575.42±1.023
Gain (dB)	30±3 (at 3.0±0.1V)
Noise Figure (dB)	5.0 typ.
Filter Outband attenuation	40.0dB typ. fo±100MHz (fo=1575.42MHz)
Output V.S.W.R	2.0 typ.
Voltage (V)	3.0±0.6V
Current (mA)	23.5±4 (at 3.0±0.1V)
Dimension (mm)	120 x 39.8 x 11

