

◆ Feature

- 1.High gain
2. Designed for GPS and CDMA
- 3.Customization available for connectors
- 4.Magnetic mounting, easy installation
- 5.RoHS compliant

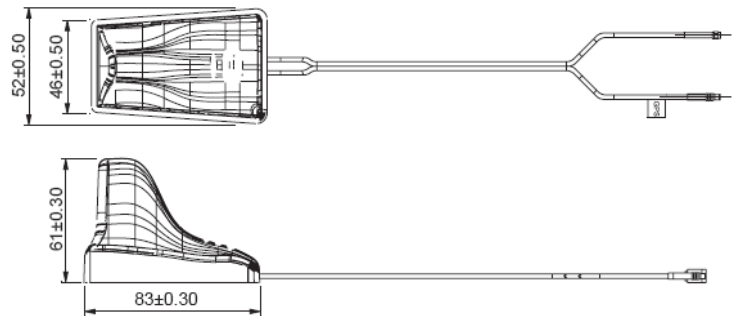


◆ Application

Automobile, Marine, Aviation, Handheld Device



◆ Dimension (mm): 83×52×61



◆ Specification

Mechanism	Cable Type	RG-174
	Cable Length	5m
	Mounting Method	Magnet / Twin Adhesive
	Connector Type	GPS Ant: MCX ; GSM Ant: SMA
GPS Active Antenna Performance		
	Center Frequency (MHz)	1575.42±2
	V.S.W.R.	< 2.0
	Antenna Gain (dBic)	3.0 typ.
	Polarization	R.H.C.P.
	Impedance (Ω)	50 typ.
	Axial Ratio (dBic)	≤ 3 typ.
	Elevation Pattern	Hemisphere
	DC Voltage (V)	3~5
	DC Current (mA)	19±4
	Amplifier Gain (dB)	V=5.0V ≥ 25 dBm, V=3.0V ≥ 24 dBm
	Noise Figure (dB)	2.5 typ.
	Testing Condition	1. Antenna is measured on specified ground plane. 2. The gain of GPS antenna doesn't include cable loss.

Cellular Antenna Performance	
Frequency Range (MHz)	824 ~ 896 (GSM), 1710 ~ 1880 (DCS), 1850 ~ 1990 (PCS)
V.S.W.R. (50Ω)	< 3.0
Polarization	Vertical
Peak Gain (dBi)	2 min.
Azimuth Average Gain (dBi)	1 typ.
Azimuth Pattern	Omni-Direction
Power Handling (W)	>10
Testing Condition	1. Antenna is measured on specified ground plane. 2. The gain of GPS antenna doesn't include cable loss.