

[Document Title](#)

512K x8 bit Super Low Power and Low Voltage Full CMOS Static RAM

[Revision History](#)

Revision No.	History	Date	Remark
0.0	- Initial Draft	May 26 2003	Preliminary
0.1	- Add Pb-free part number	Feb. 13 2004	
0.2	- Add 45ns part specification. - I _{SB1} (Typ.) changed from 1uA to 0.25uA. - I _{SB1} (Max.) changed from 6uA to 4uA. - Memory Function Guide updated in the last page.	Apr. 2 2009	
1.0	- EM641FV8F(KGD), EM641FV8FS series, EM641FV8FT series & EM641FV8FV series are unified to EM641FV8F Family.	Apr. 7 2009	Release
1.	- Change sTSSOP32 Package	Dec 18 2012	

Emerging Memory & Logic Solutions Inc.

2F Jeju CCI B/D, 574-1 Donam-Dong, Jeju-Si, Jeju-Do, Rep.of Korea Zip Code : 690-029
Tel : +82-64-740-1700 Fax : +82-64-740-1750 / Homepage : www.emlsi.com

The attached data sheets are provided by EMLSI reserve the right to change the specifications and products. EMLSI will answer to your questions about device. If you have any questions, please contact the EMLSI office.

FEATURES

- Process Technology : 0.18 μ m Full CMOS
- Organization : 512K x 8 bit
- Power Supply Voltage : 2.7V ~ 3.6V
- Low Data Retention Voltage : 1.5V (Min)
- Three state output and TTL Compatible
- Package Type
 - 32-sTSOP1, 32-TSOP1, 32-SOP

GENERAL DESCRIPTION

The EM641FV8F families are fabricated by EMLSI's advanced full CMOS process technology. The families support industrial temperature range and Chip Scale Package for user flexibility of system design. The families also supports low data retention voltage for battery back-up operation with low data retention current.

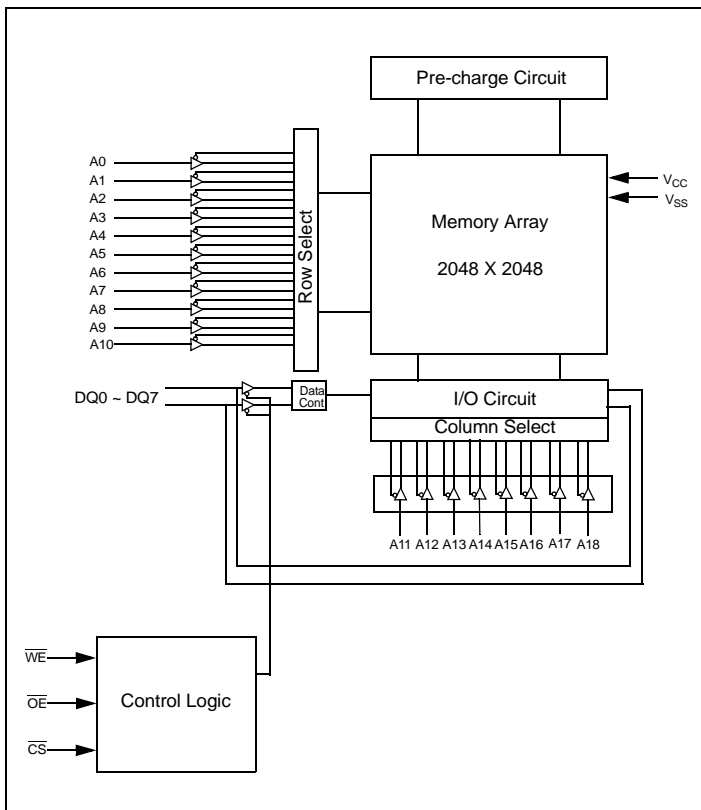
PRODUCT FAMILY

Product Family	Operating Temperature	Vcc Range	Speed	Power Dissipation		PKG Type
				Standby (I _{SB1} , Typ.)	Operating (I _{CC1} -Max.)	
EM641FV8F	Industrial (-40 ~ 85°C)	2.7 ~ 3.6 V	45/55/70 ns	0.25 μ A ²⁾	3 mA	KGD
EM641FV8FS - xx ¹⁾ LF						32-sTSOP1
EM641FV8FT - xx ¹⁾ LF						32-TSOP1
EM641FV8FV - xx ¹⁾ LF						32-SOP

1. "xx" represents speed.

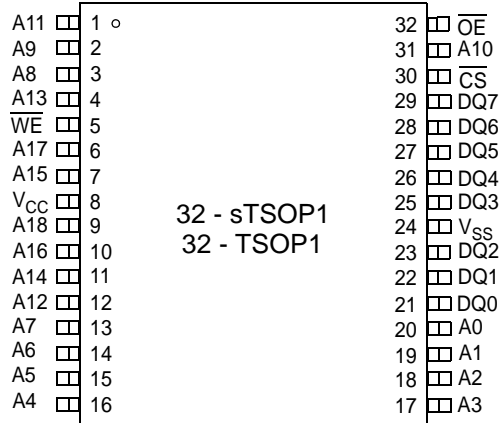
2. Typical values are measured at V_{CC}=3.3V, T_A=25°C and not 100% tested.

FUNCTIONAL BLOCK DIAGRAM

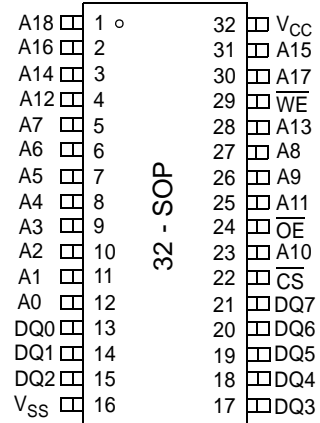


PIN CONFIGURATIONS

32 - sTSOP1, 32 - TSOP1 : Top view



32 - SOP : Top view



PIN DESCRIPTION

Name	Function	Name	Function
\overline{CS}	Chip Select input	V_{CC}	Power Supply
\overline{OE}	Output Enable input	V_{SS}	Ground
\overline{WE}	Write Enable input		
A0~A18	Address inputs		
DQ0~DQ7	Data inputs/outputs		

ABSOLUTE MAXIMUM RATINGS¹⁾

Parameter	Symbol	Ratings	Unit
Voltage on Any Pin Relative to V _{SS}	V _{IN} , V _{OUT}	-0.2 to 4.0	V
Voltage on V _{CC} supply relative to V _{SS}	V _{CC}	-0.2 to 4.0	V
Power Dissipation	P _D	1.0	W
Operating Temperature	T _A	-40 to 85	°C

1. Stresses greater than those listed under "Absolute Maximum Ratings" may cause permanent damage to the device. Functional operation should be restricted to recommended operating condition. Exposure to absolute maximum rating conditions for extended periods may affect reliability.

FUNCTIONAL DESCRIPTION

$\overline{\text{CS}}$	$\overline{\text{OE}}$	$\overline{\text{WE}}$	DQ0~7	Mode	Power
H	X	X	High-Z	Deselected	Stand by
L	H	H	High-Z	Output Disabled	Active
L	L	H	Data Out	Read	Active
L	X	L	Data In	Write	Active

NOTE : X means don't care. (Must be low or high state)

RECOMMENDED DC OPERATING CONDITIONS¹⁾

Parameter	Symbol	Min	Typ	Max	Unit
Supply voltage	V_{CC}	2.7	3.3	3.6	V
Ground	V_{SS}	0	0	0	V
Input high voltage	V_{IH}	2.2	-	$V_{CC} + 0.2^{2)}$	V
Input low voltage	V_{IL}	$-0.2^{3)}$	-	0.6	V

1. $T_A = -40$ to 85°C , otherwise specified
2. Overshoot: $V_{CC} + 2.0$ V in case of pulse width ≤ 20 ns
3. Undershoot: -2.0 V in case of pulse width ≤ 20 ns
4. Overshoot and undershoot are sampled, not 100% tested.

CAPACITANCE¹⁾ ($f = 1\text{MHz}$, $T_A = 25^\circ\text{C}$)

Item	Symbol	Test Condition	Min	Max	Unit
Input capacitance	C_{IN}	$V_{IN} = 0\text{V}$	-	8	pF
Input/Output capacitance	C_{IO}	$V_{IO} = 0\text{V}$	-	10	pF

1. Capacitance is sampled, not 100% tested.

DC AND OPERATING CHARACTERISTICS

Parameter	Symbol	Test Conditions	Min	Typ	Max	Unit	
Input leakage current	I_{LI}	$V_{IN} = V_{SS}$ to V_{CC}	-1	-	1	μA	
Output leakage current	I_{LO}	$\overline{CS} = V_{IH}$ or $\overline{OE} = V_{IH}$ or $\overline{WE} = V_{IL}$ $V_{IO} = V_{SS}$ to V_{CC}	-1	-	1	μA	
Operating power supply	I_{CC}	$I_{IO} = 0\text{mA}$, $\overline{CS} = V_{IL}$, $V_{IN} = V_{IH}$ or V_{IL}	-	-	3	mA	
Average operating current	I_{CC1}	Cycle time = $1\mu\text{s}$, 100% duty, $I_{IO} = 0\text{mA}$, $\overline{CS} \leq 0.2\text{V}$, $V_{IN} \leq 0.2\text{V}$ or $V_{IN} \geq V_{CC} - 0.2\text{V}$	-	-	3	mA	
			45ns	-	-	30	mA
				55ns	-	-	
70ns	-	-	20				
	I_{CC2}	Cycle time = Min, $I_{IO} = 0\text{mA}$, 100% duty, $\overline{CS} = V_{IL}$, $V_{IN} = V_{IL}$ or V_{IH}	-	-	-	-	
Output low voltage	V_{OL}	$I_{OL} = 2.1\text{mA}$	-	-	0.4	V	
Output high voltage	V_{OH}	$I_{OH} = -1.0\text{mA}$	2.4	-	-	V	
Standby Current (TTL)	I_{SB}	$\overline{CS} = V_{IH}$, Other inputs = V_{IH} or V_{IL}	-	-	0.3	mA	
Standby Current (CMOS)	I_{SB1}	$\overline{CS} \geq V_{CC} - 0.2\text{V}$ Other inputs = $0 - V_{CC}$ (Typ. condition : $V_{CC} = 3.3\text{V}$ @ 25°C) (Max. condition : $V_{CC} = 3.6\text{V}$ @ 85°C)	LF	-	$0.25^{1)}$	4	μA

1. Typical values are measured at $V_{CC} = 3.3\text{V}$, $T_A = 25^\circ\text{C}$ and not 100% tested.

AC OPERATING CONDITIONS

Test Conditions (Test Load and Test Input/Output Reference)

Input Pulse Level : 0.4 to 2.2V

Input Rise and Fall Time : 5ns

Input and Output reference Voltage : 1.5V

Output Load (See right) : $CL^{(1)} = 100\text{pF} + 1 \text{ TTL (70ns)}$

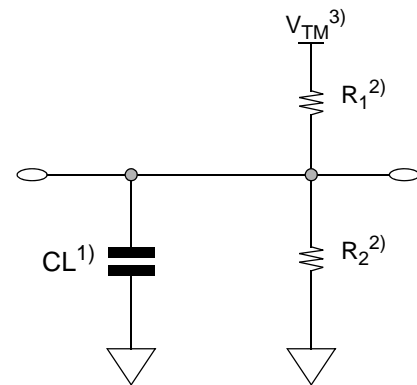
$CL^{(1)} = 30\text{pF} + 1 \text{ TTL (45ns/55ns)}$

1. Including scope and Jig capacitance

2. $R_1=3070\Omega$, $R_2=3150\Omega$

3. $V_{TM} = 2.8\text{V}$

4. $CL = 5\text{pF} + 1 \text{ TTL (measurement with tLZ, tOLZ, tHZ, tOHZ, tWHZ)}$



READ CYCLE ($V_{CC} = 2.7$ to 3.6V , $Gnd = 0\text{V}$, $T_A = -40^\circ\text{C}$ to $+85^\circ\text{C}$)

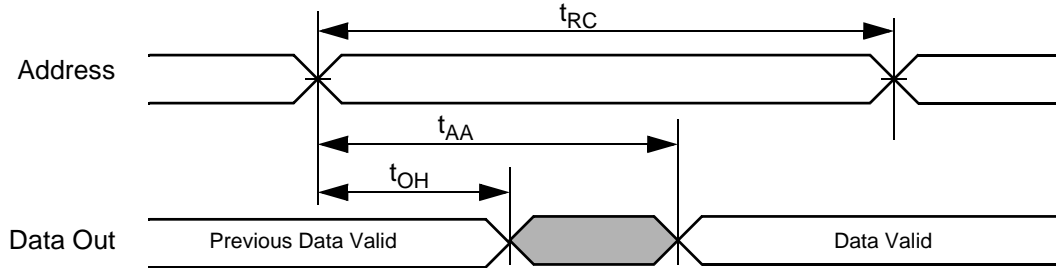
Parameter	Symbol	45ns		55ns		70ns		Unit
		Min	Max	Min	Max	Min	Max	
Read cycle time	t_{RC}	45	-	55	-	70	-	ns
Address access time	t_{AA}	-	45	-	55	-	70	ns
Chip select to output	t_{CO}	-	45	-	55	-	70	ns
Output enable to valid output	t_{OE}	-	20	-	25	-	35	ns
Chip select to low-Z output	t_{LZ}	10	-	10	-	10	-	ns
Output enable to low-Z output	t_{OLZ}	5	-	5	-	5	-	ns
Chip disable to high-Z output	t_{HZ}	0	20	0	20	0	25	ns
Output disable to high-Z output	t_{OHZ}	0	20	0	20	0	25	ns
Output hold from address change	t_{OH}	10	-	10	-	10	-	ns

WRITE CYCLE ($V_{CC} = 2.7$ to 3.6V , $Gnd = 0\text{V}$, $T_A = -40^\circ\text{C}$ to $+85^\circ\text{C}$)

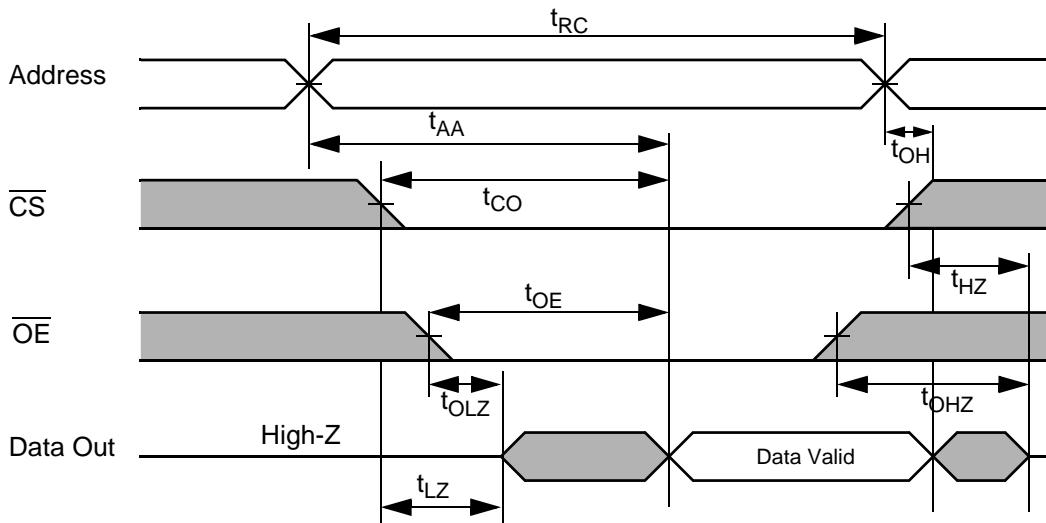
Parameter	Symbol	45ns		55ns		70ns		Unit
		Min	Max	Min	Max	Min	Max	
Write cycle time	t_{WC}	45	-	55	-	70	-	ns
Chip select to end of write	t_{CW}	35	-	45	-	60	-	ns
Address setup time	t_{AS}	0	-	0	-	0	-	ns
Address valid to end of write	t_{AW}	35	-	45	-	60	-	ns
Write pulse width	t_{WP}	35	-	40	-	55	-	ns
Write recovery time	t_{WR}	0	-	0	-	0	-	ns
Write to output high-Z	t_{WHZ}	0	20	0	20	0	20	ns
Data to write time overlap	t_{DW}	25		25		30		ns
Data hold from write time	t_{DH}	0	-	0	-	0	-	ns
End write to output low-Z	t_{OW}	5	-	5	-	5	-	ns

TIMING DIAGRAMS

TIMING WAVEFORM OF READ CYCLE(1) (Address Controlled)



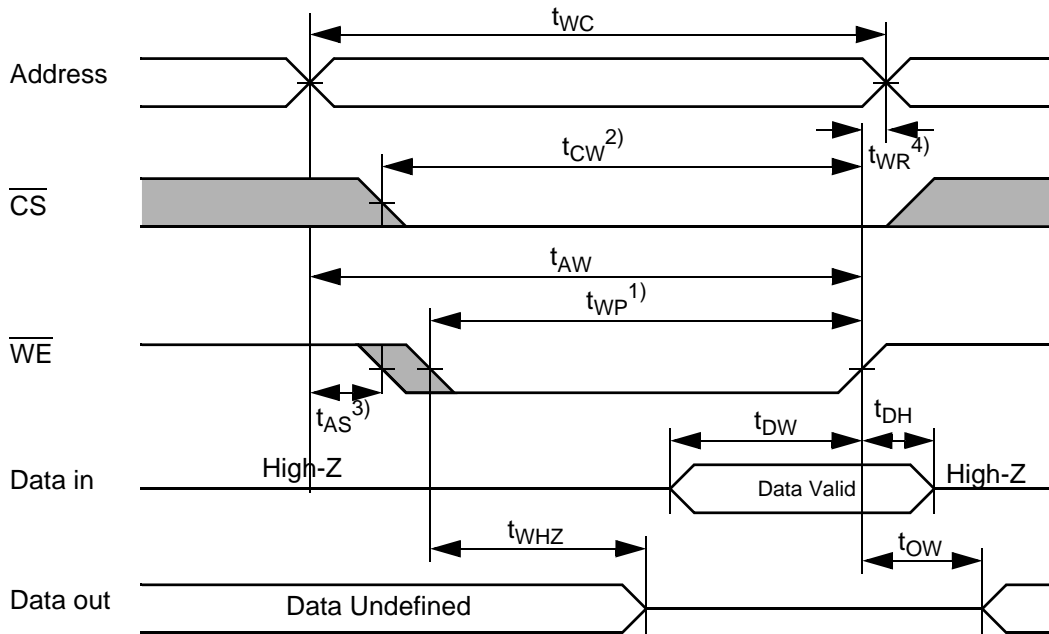
TIMING WAVEFORM OF READ CYCLE(2) ($\overline{WE} = V_{IH}$)



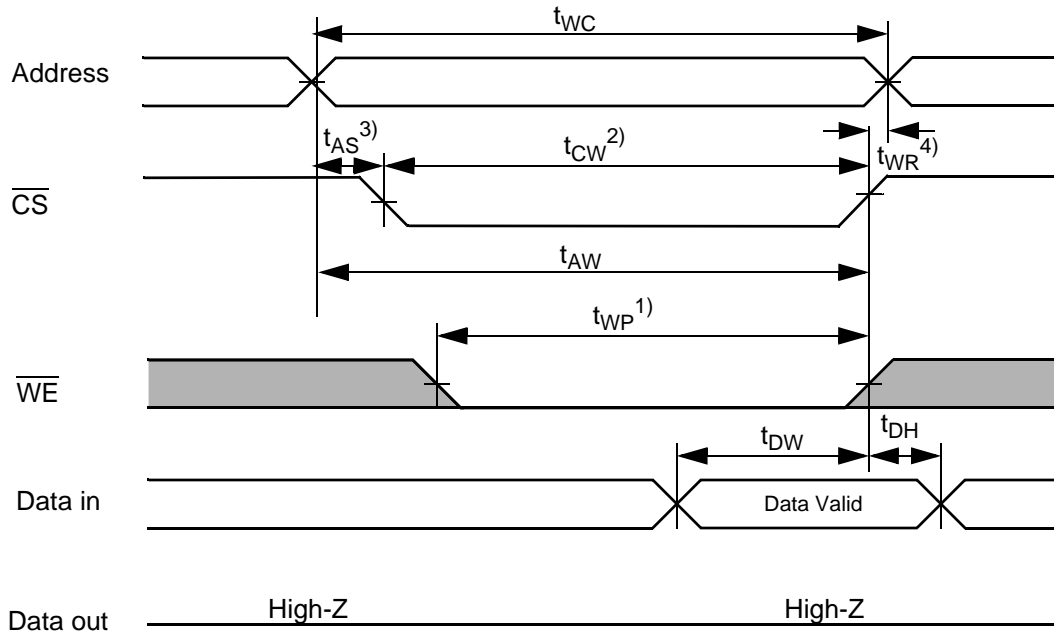
NOTES (READ CYCLE)

1. t_{HZ} and t_{OHZ} are defined as the outputs achieve the open circuit conditions and are not referenced to output voltage levels.
2. At any given temperature and voltage condition, $t_{HZ}(\text{Max.})$ is less than $t_{LZ}(\text{Min.})$ both for a given device and from device to device interconnection.

TIMING WAVEFORM OF WRITE CYCLE(1) (\overline{WE} Controlled)



TIMING WAVEFORM OF WRITE CYCLE(2) (\overline{CS} Controlled)



NOTES (WRITE CYCLE)

1. A write occurs during the overlap(t_{WP}) of low \overline{CS} and low \overline{WE} . A write begins at the latest transition among \overline{CS} goes low and \overline{WE} goes low. A write ends at the earliest transition when \overline{CS} goes high and \overline{WE} goes high. The t_{WP} is measured from the beginning of write to the end of write.
2. t_{CW} is measured from the \overline{CS} going low to end of write.
3. t_{AS} is measured from the address valid to the beginning of write.
4. t_{WR} is measured from the end of write to the address change. t_{WR} applied in case a write ends as \overline{CS} or \overline{WE} going high.

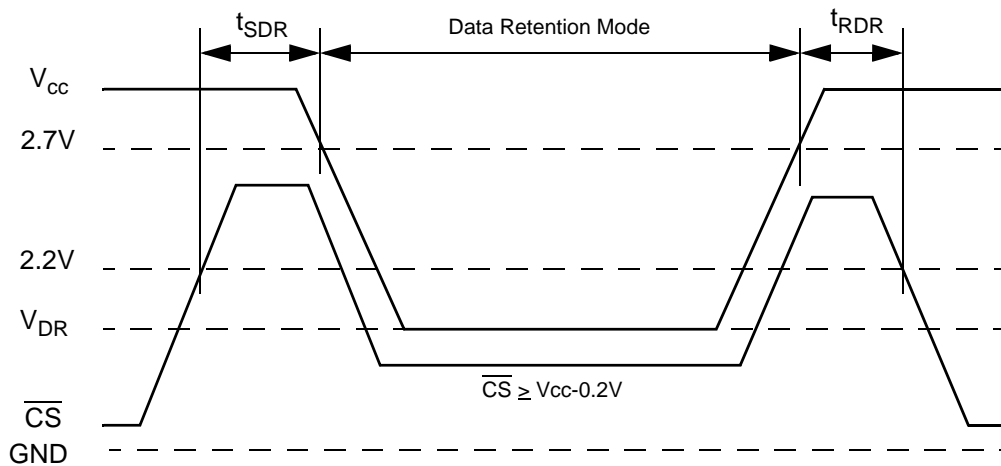
DATA RETENTION CHARACTERISTICS

Parameter	Symbol	Test Condition	Min	Typ ²⁾	Max	Unit
V _{CC} for Data Retention	V _{DR}	I _{SB1} Test Condition (Chip Disabled) ¹⁾	1.5	-	3.6	V
Data Retention Current	I _{DR}	V _{CC} =1.5V, I _{SB1} Test Condition (Chip Disabled) ¹⁾	-	0.5	-	μA
Chip Deselect to Data Retention Time	t _{SDR}	See data retention wave form	0	-	-	ns
Operation Recovery Time	t _{RDR}		t _{RC}	-	-	

NOTES

1. See the I_{SB1} measurement condition of datasheet page 5.
2. Typical values are measured at T_A=25°C and not 100% tested.

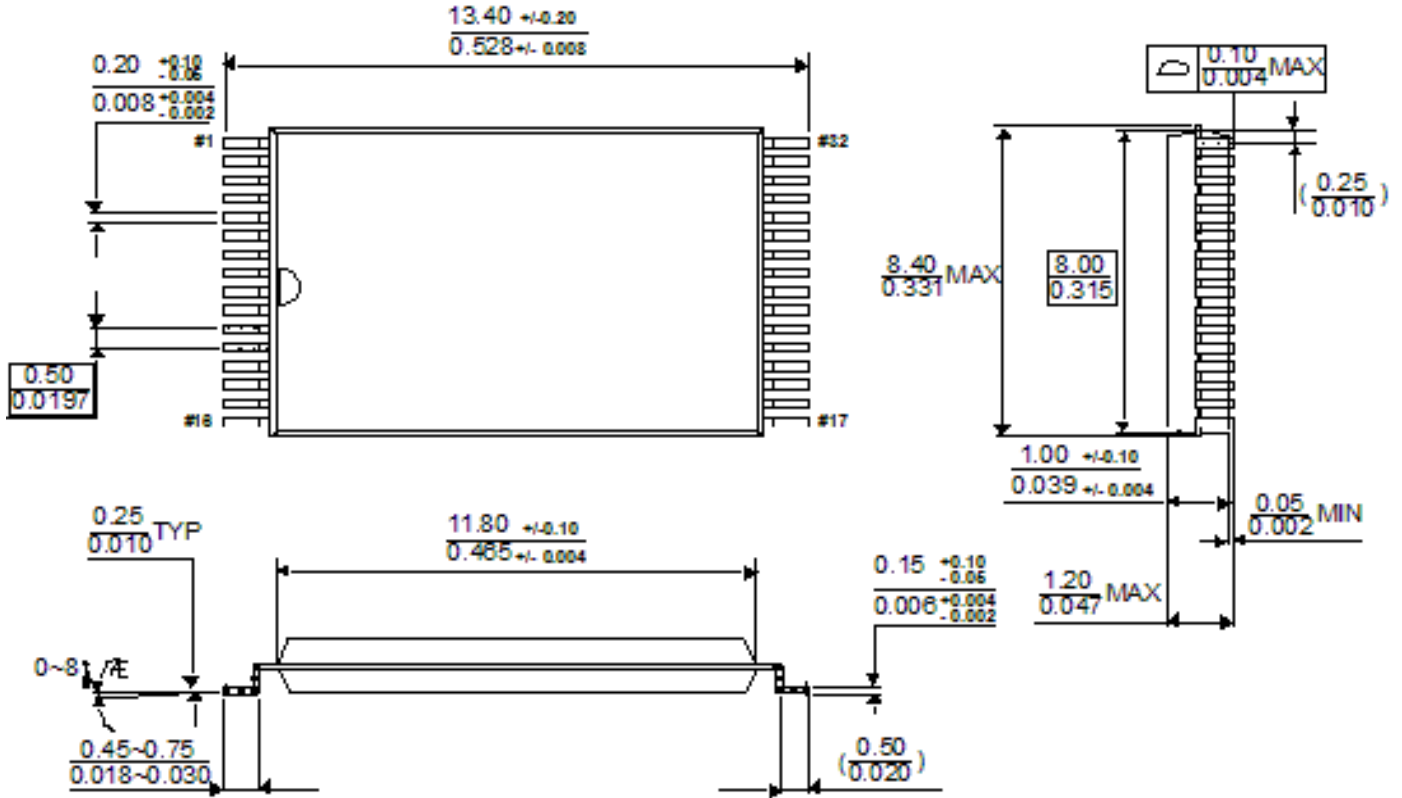
DATA RETENTION WAVE FORM



PACKAGE DIMENSIONS

32Pin - sTSOP Type1

Unit : millimeters/Inches

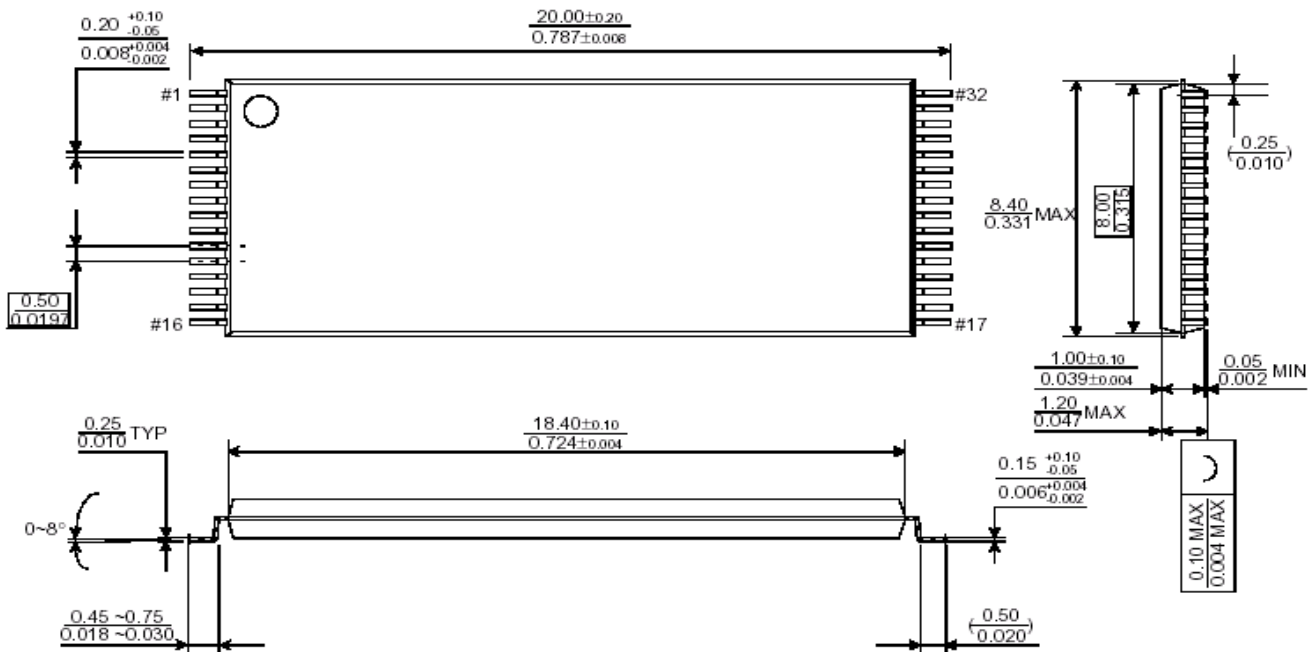


PACKAGE DIMENSIONS

32Pin - TSOP Type1

Unit : millimeters/Inches

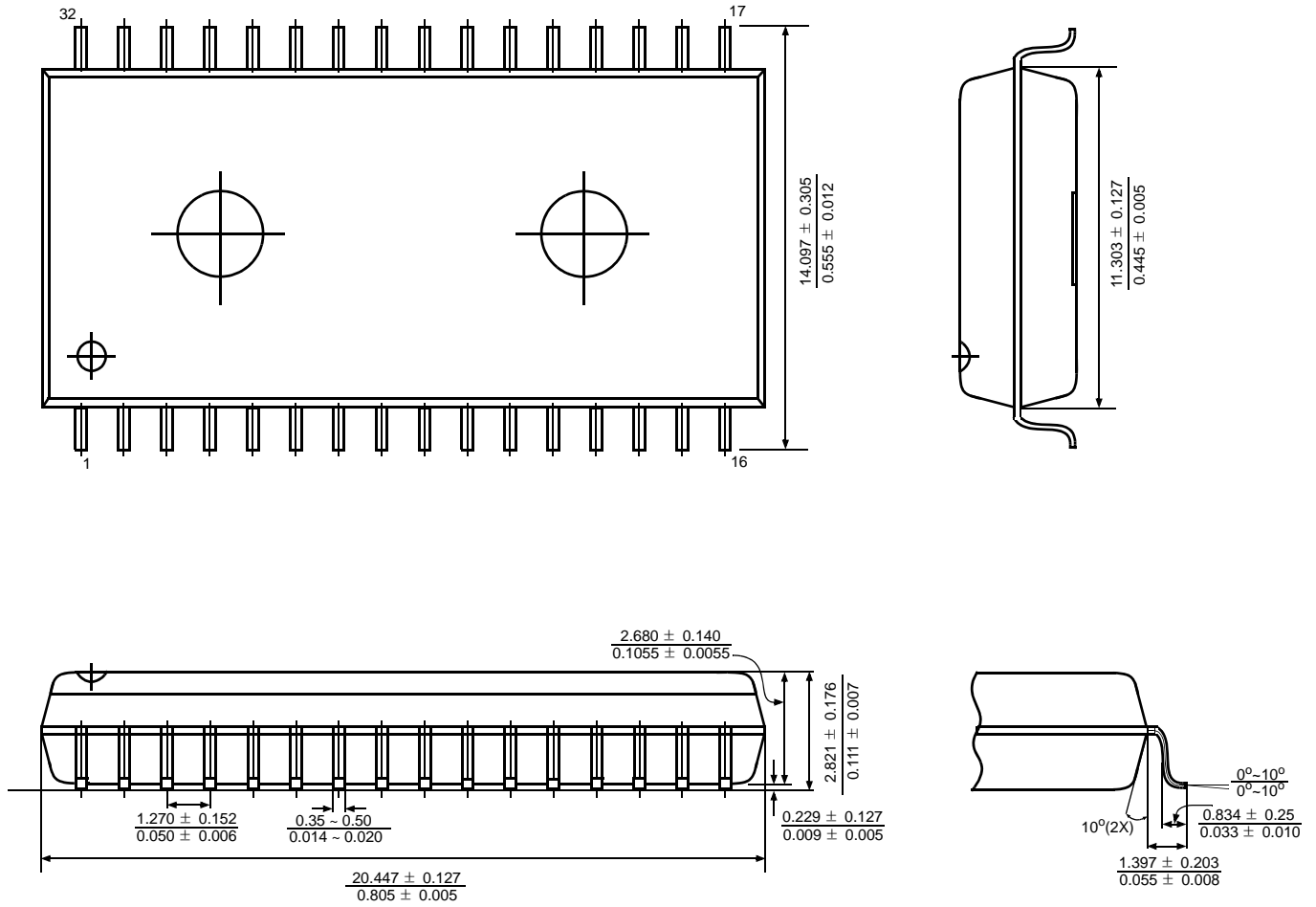
32 PIN THIN SMALL OUTLINE PACKAGE TYPE I (0820F)



PACKAGE DIMENSIONS

32Pin - SOP

Unit : millimeters/Inches



MEMORY FUNCTION GUIDE

EMXXXXXXXXXXXXX - XXXX

1. EMLSI Memory

2. Device Type

3. Density

4. Function

5. Technology

6. Operating Voltage

11. Power

10. Speed

9. Package

8. Version

7. Organization

1. Memory Component

2. Device Type

6 ----- Low Power SRAM
7 ----- STRAM
C ----- CellularRAM

3. Density

1 ----- 1M
2 ----- 2M
4 ----- 4M
8 ----- 8M
16 ----- 16M
32 ----- 32M
64 ----- 64M
28 ----- 128M

4. Option

0 ----- Dual CS (x8)
1 ----- Single CS (x8)
3 ----- Single CS / tBA=tOE (x16)
4 ----- Single CS / tBA=tCO (x16)
5 ----- Dual CS / tBA=tOE (x16)
6 ----- Dual CS / tBA=tCO (x16)

5. Technology

F ----- Full CMOS

6. Operating Voltage

T ----- 5.0V
V ----- 3.3V
U ----- 3.0V
S ----- 2.5V
R ----- 2.0V
P ----- 1.8V

7. Organization

8 ----- X8 bit
16 ----- X16 bit
32 ----- X32 bit

8. Version

Blank----- Mother die
A ----- 2 nd generation
B ----- 3 rd generation
C ----- 4 th generation
D ----- 5 th generation
E ----- 6 th generation
F ----- 7 th generation
G ----- 8 th generation

9. Package

Blank----- KGD, FBGA
S ----- 32 sTSOP1
T ----- 32 TSOP1
U ----- 44 TSOP2
V ----- 32 SOP

10. Speed

45 ----- 45ns
55 ----- 55ns
60 ----- 60ns
70 ----- 70ns
85 ----- 85ns
90 ----- 90ns
10 ----- 100ns
12 ----- 120ns

11. Power

LL ----- Low Low Power
LF ----- Low Low Power(Pb-free & Green)
L ----- Low Power
S ----- Standard Power