

# DAM-P8-T-N0-000-18-03

## 1. Explanation of Part Number

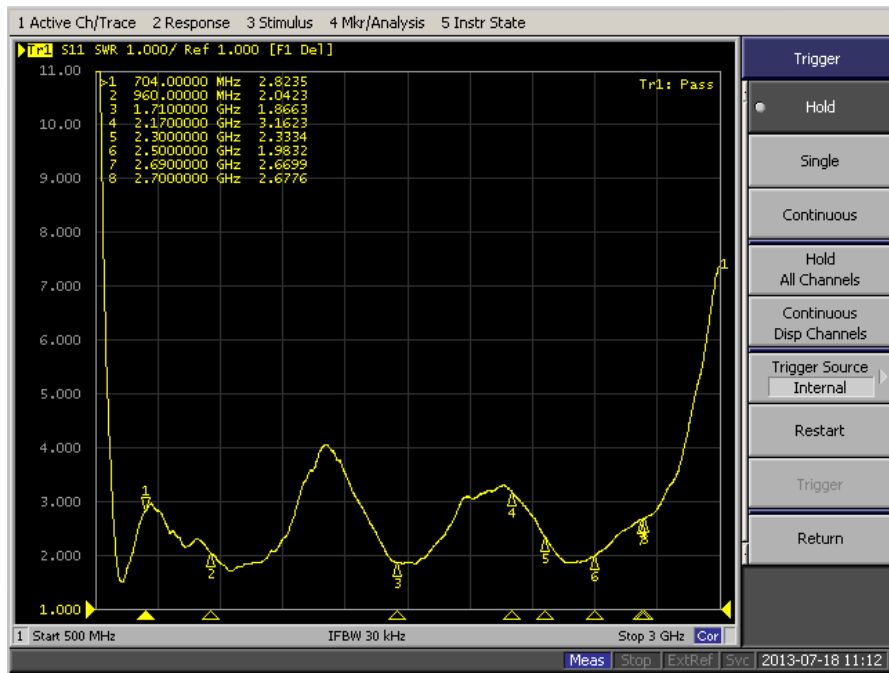
DAM - P8 - T - N0 - 000 - 18 - 03  
 (1) (2) (3) (4) (5) (6) (7)

- (1) Product type : DAM-Dipole Antenna Module
  - (2) Appearance Series : P8
  - (3) Frequency : T=700~960,1710~2170, 2300~2500,2500~2700MHz
  - (4) Coaxial Cable Specification :N0=no Cable
  - (5) Coaxial Cable Length : 000=no Length
  - (6) Connector Types :18= SMA90° Male plug connector
  - (7) Suffix for special requirements : 03=metal connector
- ※ RoHS Compliant

## 2. Electrical properties:

Item	Property
Frequency Range	700~960,1710~2170,2300~2500,2500~2700MHz
Impedance	50 Ω (Typ.)
VSWR	4.5 max.
Peak Gain	3.0+/-0.7dBi (Typ.)

## 3. Test Data



Frequency (MHz)	704	960	1710	2170	2300	2500	2700
VSWR	2.82	2.04	1.86	3.16	2.33	1.98	2.67

UNLESS OTHER SPECIFIED TOLERANCES ON :  
 X=N/R      X.X=N/R      X.XX =N/R  
 ANGLES=N/R      HOLEDIA=N/R



**INPAQ TECHNOLOGY CO., LTD.**

SCALE : N/R      UNIT : mm  
 DRAWN BY : 林娟      CHECKED BY : 李志强  
 DESIGNED BY : 胡志清      APPROVED BY : 唐龙

THIS DRAWINGS AND SPECIFICATIONS ARE THE PROPERTY OF INPAQ TECHNOLOGY CO.,LTD.AND SHALL NOT BE REPRODUCED OR USED AS THE BASIS FOR THE MANUFACTURE OR SALE OF APPARATUS OR DEVICES WITHOUT PERMISSION

TITLE : DAM-P8-T-N0-000-18-03

DOCUMENT NO.

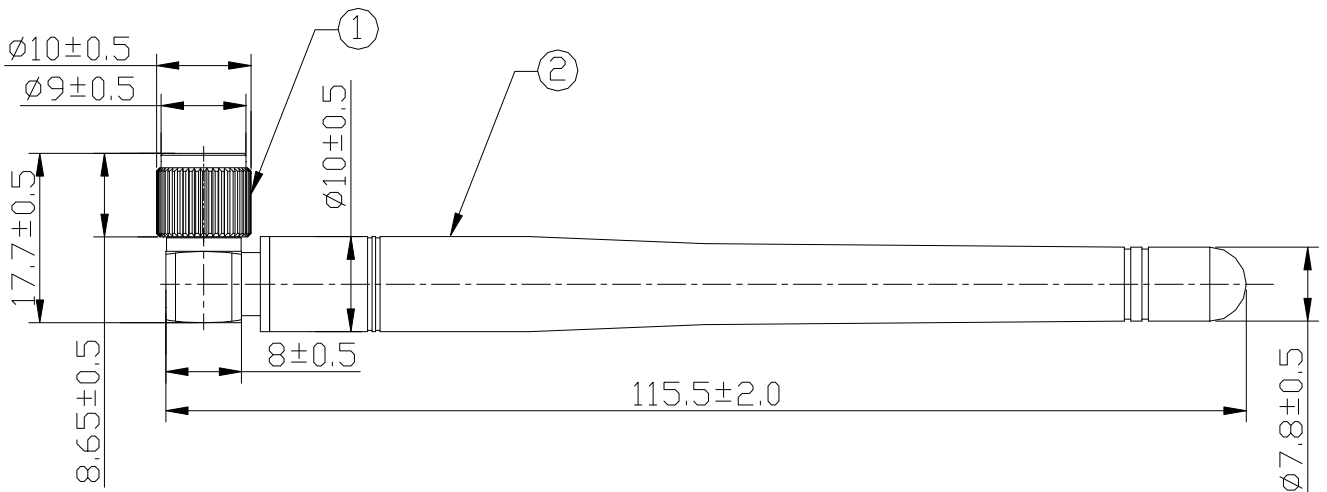
**ENS000055280**

SPEC REV.  
**P2**

#### 4. Peak gain (dBi) & Efficiency (%)

Frequency (MHz)	peak gain (dBi)	efficiency (%)
704	-2.54	29.29
760	-1.47	31.58
780	0.23	42.93
790	0.21	41.89
820	0.47	49.36
870	0.9	40.26
880	0.82	49.61
960	1.54	44.14
1710	2.89	54.94
1780	3.35	52.41
1790	3.44	52.81
1880	3.73	62.20
1990	3.06	62.61
2170	2.73	60.98
2300	3.24	61.28
2380	3.54	68.37
2500	3.08	61.25
2600	2.53	47.79
2700	2.35	45.72

#### 5. Mechanical properties:



No	Description	Material	Finish
1	Connector : SMA RA PLUG	Cu	AU PLATING
2	BODY	TPE	BLACK

UNLESS OTHER SPECIFIED TOLERANCES ON :  
X=N/R      X.X=N/R      X.XX =N/R  
ANGLES=N/R      HOLEDIA=N/R



**INPAQ TECHNOLOGY CO., LTD.**

SCALE : N/R

UNIT : mm

DRAWN BY : 林娟

CHECKED BY : 李志强

DESIGNED BY : 胡志清

APPROVED BY : 唐龙

THIS DRAWINGS AND SPECIFICATIONS ARE THE PROPERTY OF INPAQ TECHNOLOGY CO.,LTD.AND SHALL NOT BE REPRODUCED OR USED AS THE BASIS FOR THE MANUFACTURE OR SALE OF APPARATUS OR DEVICES WITHOUT PERMISSION

TITLE : DAM-P8-T-N0-000-18-03

DOCUMENT NO.

**ENS000055280**

SPEC REV.  
**P2**



**6. Reliable test:**

Test Item	Procedure	Requirement
1. Visual inspection and Dimension Check	Applicable methods using x5 magnification	follow specification
2. Rapid Changing of Temperature	-40°C (30minutes) to 85°C (30minutes); 24 cycles	After 2 hours recovery: 1. no visible damage 2. Freq. Tol.: < ±5%
3. Damp Heat	24 hours at 60°C; 90 ~ 95% RH	After 2 hours recovery: 1. no visible damage 2. Freq. Tol. : < ±5%
4. Endurance	24 hours at 85°C	After 2 hours recovery: 1. no visible damage 2. Freq Tol.: < ±5%

UNLESS OTHER SPECIFIED TOLERANCES ON :  
 X=N/R      X.X=N/R      X.XX =N/R  
 ANGLES=N/R      HOLEDIA=N/R



**INPAQ TECHNOLOGY CO., LTD.**

SCALE : N/R

UNIT : mm

DRAWN BY : 林娟

CHECKED BY : 李志强

DESIGNED BY : 胡志清

APPROVED BY : 唐龙

THIS DRAWINGS AND SPECIFICATIONS ARE THE PROPERTY OF INPAQ TECHNOLOGY CO.,LTD.AND SHALL NOT BE REPRODUCED OR USED AS THE BASIS FOR THE MANUFACTURE OR SALE OF APPARATUS OR DEVICES WITHOUT PERMISSION

TITLE : DAM-P8-T-N0-000-18-03

DOCUMENT NO.

**ENS000055280**

SPEC REV.  
**P2**