

1W, Fixed input voltage, isolated & unregulated dual output



Continuous Short Circuit Protection



UL **CE** **CB** Patent Protection **RoHS**

FEATURES

- Operating temperature range: -40°C to +105°C
- High efficiency up to 82%
- Compact SMD package
- Isolation voltage: 1.5K VDC
- Internal surface mounted design
- No external component required
- International standard pin-out
- IEC60950, UL60950, EN60950 approval

A_XT-1WR2 series are specially designed for applications where an isolated voltage is required in a distributed power supply system. They are suitable for

1. Where the voltage of the input power supply is stable (voltage variation: $\pm 10\%V_{in}$);
2. Where isolation between input and output is necessary (isolation voltage $\leq 1500VDC$);
3. Where the output voltage regulation is not strictly required;
4. Typical application: preceding-stage interference isolation condition; ground-interference canceled condition; digit circuit condition; Voltage-isolation converting condition; normal low-frequency artificial circuit condition; relay drive circuit condition, etc.

Selection Guide

Certification	Part No.	Input Voltage (VDC)	Output		Efficiency (%Min./Typ.) @ Full Load	Max. Capacitive Load (μF)
		Nominal (Range)	Output Voltage (VDC)	Output Current (mA)(Max./Min.)		
CE	A0305XT-1WR2	3.3 (2.97-3.63)	± 5	$\pm 100/\pm 10$	72/76	100
	A0312XT-1WR2		± 12	$\pm 42/\pm 5$	73/77	
	A0315XT-1WR2		± 15	$\pm 33/\pm 3$	74/78	
UL/CE/CB	A0505XT-1WR2	5 (4.5-5.5)	± 5	$\pm 100/\pm 10$	76/80	
	A0509XT-1WR2		± 9	$\pm 56/\pm 6$	76/80	
	A0512XT-1WR2		± 12	$\pm 42/\pm 5$	75/79	
	A0515XT-1WR2		± 15	$\pm 33/\pm 3$	77/81	
	A0524XT-1WR2		± 24	$\pm 21/\pm 2$	77/81	
	A1205XT-1WR2	12 (10.8-13.2)	± 5	$\pm 100/\pm 10$	76/80	
	A1209XT-1WR2		± 9	$\pm 56/\pm 6$	76/80	
	A1212XT-1WR2		± 12	$\pm 42/\pm 5$	77/81	
A1215XT-1WR2	± 15		$\pm 33/\pm 3$	77/81		
CE	A1224XT-1WR2		± 24	$\pm 21/\pm 2$	77/81	
CE	A1515XT-1WR2	15 (13.5-16.5)	± 15	$\pm 33/\pm 3$	77/81	
UL/CE/CB	A2405XT-1WR2	24 (21.6-26.4)	± 5	$\pm 100/\pm 10$	76/80	
	A2409XT-1WR2		± 9	$\pm 56/\pm 6$	76/80	
	A2412XT-1WR2		± 12	$\pm 42/\pm 5$	77/81	
	A2415XT-1WR2		± 15	$\pm 33/\pm 3$	78/82	
	A2424XT-1WR2		± 24	$\pm 21/\pm 2$	74/80	

Note: *The capacitive loads of positive and negative outputs are identical.

Input Specifications

Item	Operating Conditions	Min.	Typ.	Max.	Unit
Input Current (full load / no-load)	3.3V input	--	389/25	--/70	mA
	5V input	--	250/20	--/60	
	12V input	--	104/15	--/50	
	15V input	--	83/12	--/35	
	24V input	--	52/10	--/30	

Reflected Ripple Current		--	15	--	mA
Surge Voltage (1sec. max.)	3.3V input	-0.7	--	5	VDC
	5V input	-0.7	--	9	
	12V input	-0.7	--	18	
	15V input	-0.7	--	21	
	24V input	-0.7	--	30	
Input Filter		Filter capacitor			
Hot Plug		Unavailable			

Output Specifications

Item	Operating Conditions	Min.	Typ.	Max.	Unit	
Output Voltage Accuracy		See tolerance envelope curve(Fig. 1)				
Line Regulation	Input voltage change: $\pm 1\%$	--	--	± 1.2	--	
Load Regulation	10%-100% load	5VDC output	--	12	--	%
		9VDC output	--	9	--	
		12VDC output	--	8	--	
		15VDC output	--	7	--	
		24VDC output	--	6	--	
Ripple & Noise*	20MHz bandwidth	--	60	150	mVp-p	
Temperature Coefficient	Full load	--	--	± 0.03	%/°C	
Short Circuit Protection**	A03xxXT-1WR2/A24xxXT-1WR2/A0524XT-1WR2	--	--	1	s	
	Others	Continuous, self-recovery				

Note: *Ripple and noise are measured by "parallel cable" method, please see DC-DC Converter Application Notes for specific operation;
 **Supply voltage must be discontinued at the end of short circuit duration for A03xxXT-1WR2 series, A0524XT-1WR2 model and A24xxXT-1WR2 series.

General Specifications

Item	Operating Conditions	Min.	Typ.	Max.	Unit
Isolation Voltage	Input-output, with the test time of 1 minute and the leak current lower than 1mA	1500	--	--	VDC
Isolation Resistance	Input-output, isolation voltage 500VDC	1000	--	--	MΩ
Isolation Capacitance	Input-output, 100KHz/0.1V	--	20	--	pF
Operating Temperature	Derating when operating temperature up to 100°C, (see Fig. 2)	-40	--	105	°C
Storage Temperature		-55	--	125	
Casing Temperature Rise	Ta=25°C, nominal input, full load output	--	25	--	
Pin Welding Resistance Temperature	Welding spot is 1.5mm away from the casing, 10 seconds	--	--	300	
Storage Humidity	Non-condensing	--	--	95	%RH
Reflow Soldering Temperature		Peak temp. $\leq 245^\circ\text{C}$, maximum duration time $\leq 60\text{s}$ at 217°C . For actual application, please refer to IPC/JEDEC J-STD-020D.1.			
Switching Frequency	Full load, nominal input voltage	--	100	--	KHz
MTBF	MIL-HDBK-217F@25°C	3500	--	--	K hours

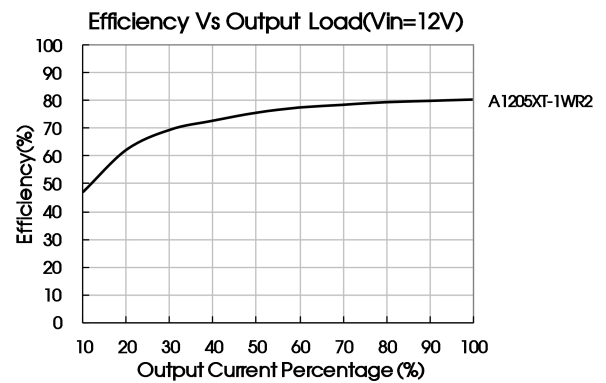
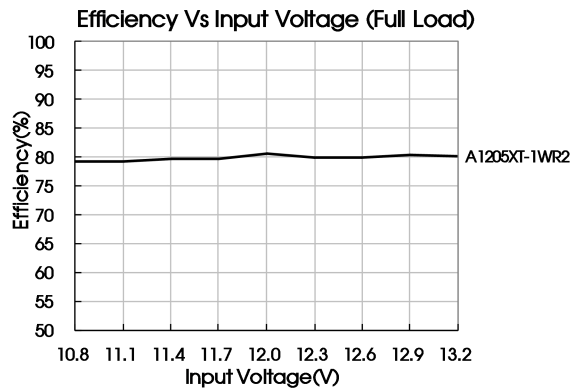
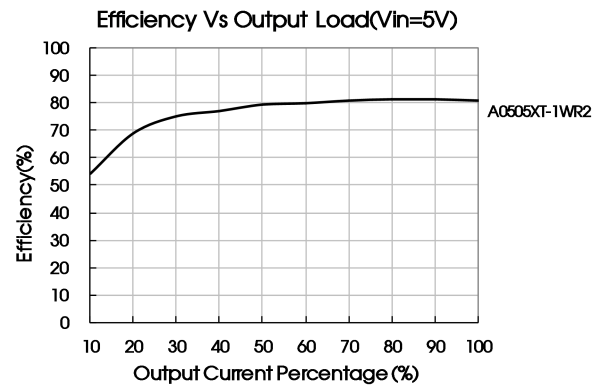
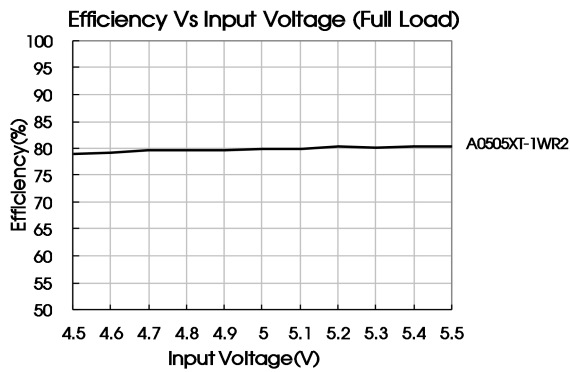
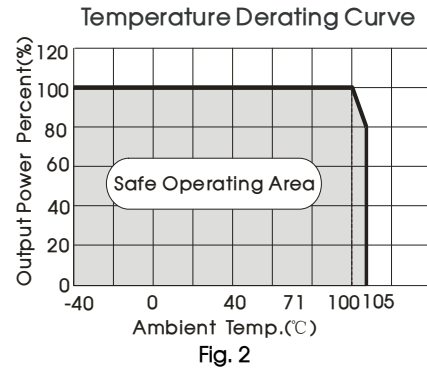
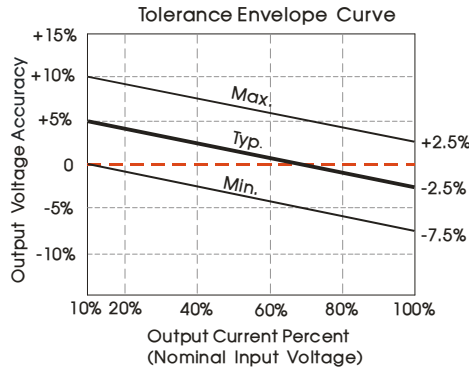
Physical Specifications

Casing Material	Black flame-retardant heat resistant epoxy resin (UL94 V-0)
Dimensions	15.24*11.20*7.25 mm
Weight	2.0g (Typ.)
Cooling Method	Free air convection

EMC Specifications

EMI	CE	CISPR32/EN55032	CLASS B (see Fig. 5 for recommended circuit)
	RE	CISPR32/EN55032	CLASS B (see Fig. 5 for recommended circuit)
EMS	ESD	IEC/EN61000-4-2	Contact ±6KV perf. Criteria B

Product Characteristic Curve

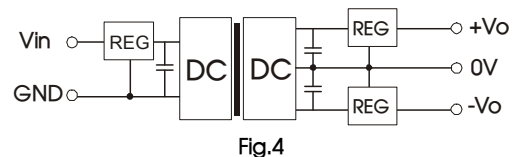
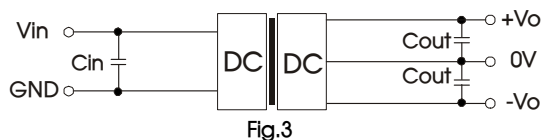


Design Reference

1. Typical application circuit

If it is required to further reduce input and output ripple, a filter capacitor may be connected to the input and output terminals, see Fig.3. Moreover, choosing a suitable filter capacitor is very important, start-up problems may be caused if the capacitance is too large. Under the condition of safe and reliable operation, the recommended capacitive load values are shown in Table 1.

The simplest device for output voltage regulation, over-voltage and over-current protection is a linear voltage regulator with overheat protection that is connected to the input or output end in series (see Fig. 4).



Recommended capacitive load value table (Table 1)

Vin(VDC)	Cin(μF)	Vo (VDC)	Cout(μF)
3.3	4.7	±5	4.7
5	4.7	±9	2.2
12	2.2	±12	1
15	2.2	±15	1
24	1	±24	0.47

2. EMC solution-recommended circuit

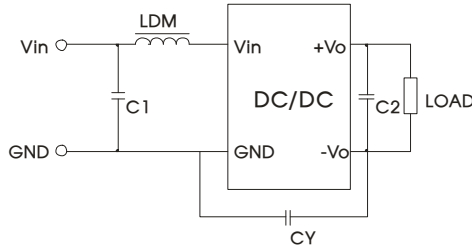


Fig. 5

Input voltage (VDC)	3.3/5/12	15/24
EMI	C1	4.7μF /50V
	C2	Refer to the Cout in Fig.3
	LDM	6.8μH
	CY	-- 1nF /2KV

Note: 1. 15/24V input series, 24V output series is subject to CY (CY : 1nF/2KV).
2. It is not needed to add the component in the peripheral circuit when parameter with the symbol of "--".

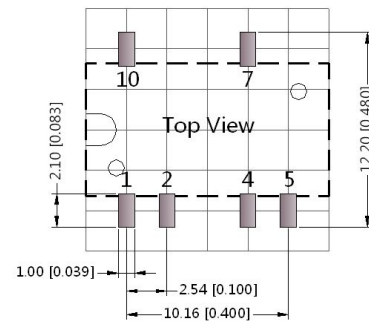
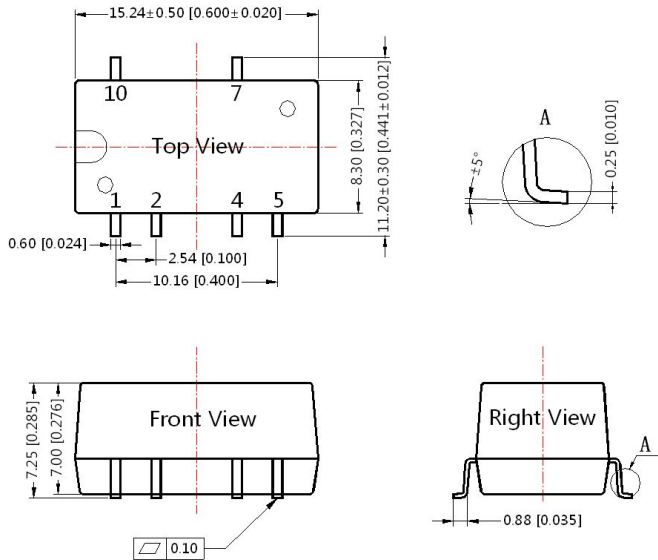
3. Output load requirements

In order to ensure the converter can work reliably with high efficiency, the minimum load should not less than 10% rated load when it is used. If the needed power is indeed small, please parallel a resistor on the output side (The sum of the efficient power and resistor consumption power is not less than 10%).

4. For more information please find DC-DC converter application notes on www.mornsun-power.com

Dimensions and Recommended Layout

THIRD ANGLE PROJECTION



Note: Grid 2.54*2.54mm

Pin-Out	
Pin	Function
1	GND
2	Vin
4	0V
5	-Vo
7	+Vo
10	NC

NC: Pin to be isolated from circuitry

Notes:

1. Packing information please refer to Product Packing Information which can be downloaded from www.mornsun-power.com. Tube Packing bag number: 58210023, Roll Packing bag number: 58210034;
2. If the product is not operated within the required load range, the product performance cannot be guaranteed to comply with all parameters in the datasheet;
3. The maximum capacitive load offered were tested at input voltage range and full load;
4. Unless otherwise specified, parameters in this datasheet were measured under the conditions of $T_a=25^{\circ}\text{C}$, humidity<75%RH with nominal input voltage and rated output load;
5. All index testing methods in this datasheet are based on our Company's corporate standards;
6. We can provide product customization service, please contact our technicians directly for specific information;
7. Products are related to laws and regulations: see "Features" and "EMC";
8. Our products shall be classified according to ISO14001 and related environmental laws and regulations, and shall be handled by qualified units.

MORNSUN Guangzhou Science & Technology Co., Ltd.

Address: No. 5, Kehui St. 1, Kehui Development Center, Science Ave., Guangzhou Science City, Luogang District, Guangzhou, P. R. China
Tel: 86-20-38601850-8801 Fax: 86-20-38601272 E-mail: info@mornsun.cn