

VECO VANSONIC ENTERPRISE CO., LTD.

8F., No.7, Lane 16, Sec.2, Szechwan Road, Panchiao, Taipei Hsien, TAIWAN.

TEL: +886-2-29626335

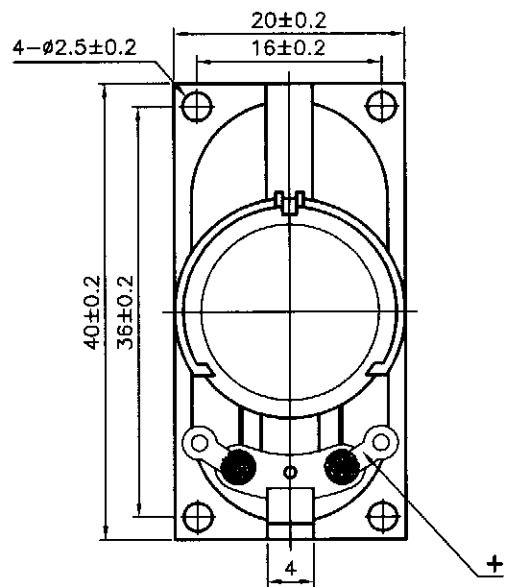
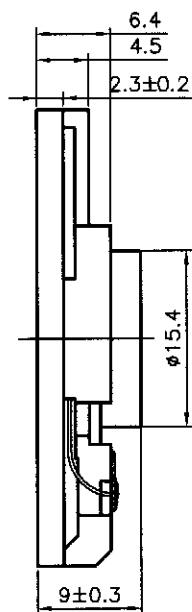
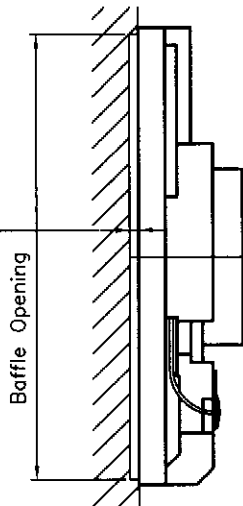
FAX: +886-2-29625220

E-MAIL: VANSONIC@MS4.HINET.NET

1.	MODEL:	40KS08PN			
2.	Dimension	Outer Diameter	20 X 40 mm.	Baffle Opening	19 X 39 mm.
		Height	Refer to Drawing	Weight	8.4 Grams.
3.	Magnet	Materials	Rare Earth	Size	∅ 11.5x2.5 mm.
4.	Nominal Resistance		8 Ω	± 15 %	
5.	Power Rating	Normal	2 W.	Maximum	2.5 W.
6.	Lowest Resonant Frequency		480	± 20 %	Hz.
7.	Output Sound Pressure Level (S.P.L.)		89	± 3 db / 1.0 Watt · 0.5 Meter.	
		Average at	800, 1000, 1200, 1500		Hz.
8.	Frequency Range		350 ~ 20000	Hz.	Average SPL - 10 db.
9.	Distortion		5 %	Maximum At 1000 Hz.	1 W.
10.	Abnormal Sound Test		Must be Normal Tested By 4.0	Volts.	Sine Wave.
11.	Load Test		White Noise with Weighted Filter 4.0	Volts.(RMS)	24 Hrs.
12.	Polarity		Diaphragm shall move Forward when Apply a Positive DC.		
			Current to the "+" or "Marked" Terminal.		

MOUNTING NOTICE

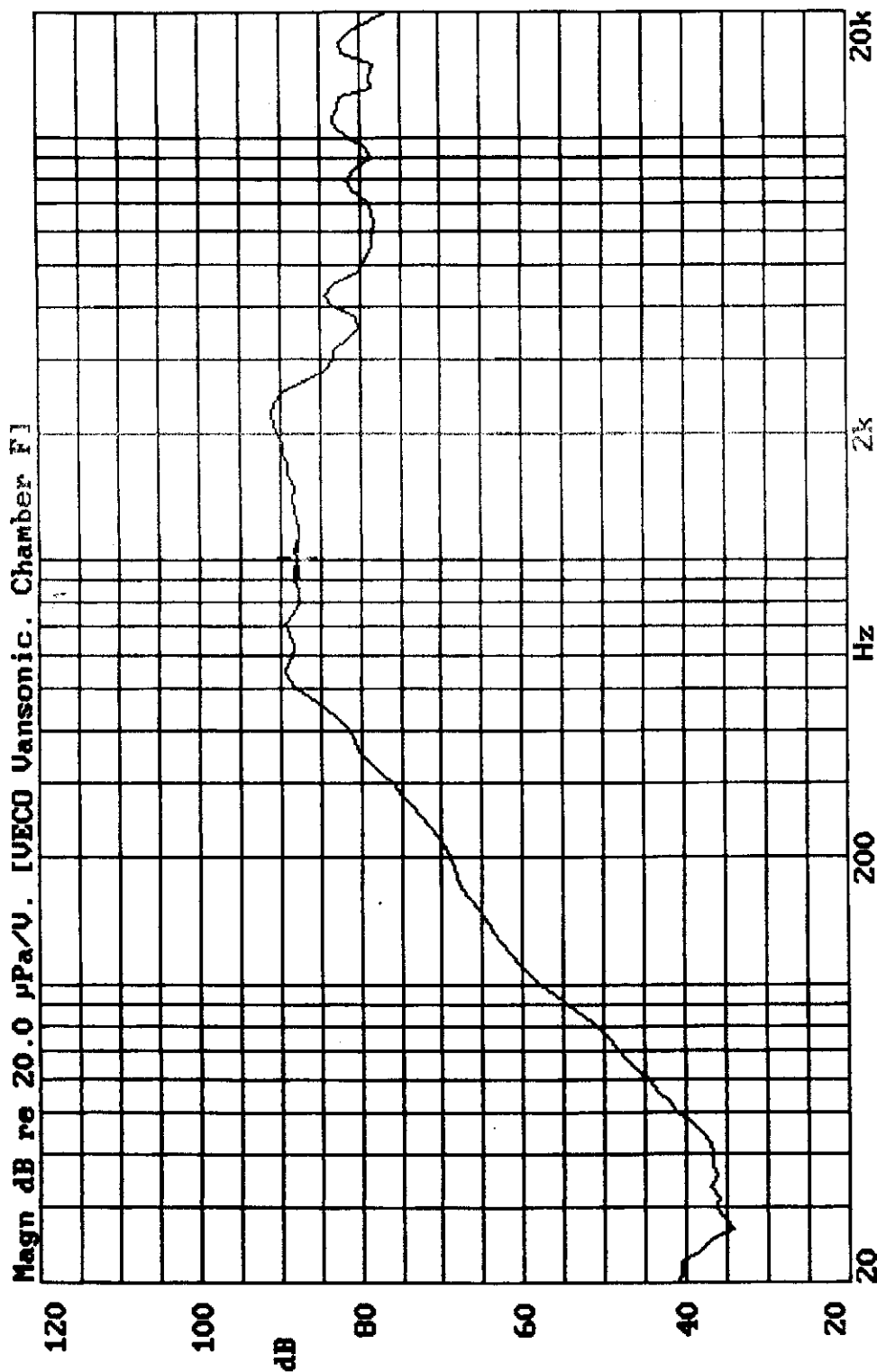
AT LEAST
0.8mm
FOR
DIAPHRAM
MOVING



Unit : mm

Housing Material : PBT

P40KS08PN VDL:2.828V(1.0M) DIS:0.5M VANSONIC
X:1.0000kHz *Y:88.05dB ZA:Live Curve SSR Fund.



06-MAY-2003 08:39:11

Mode: SSR

