

VECO VANSONIC ENTERPRISE CO., LTD.

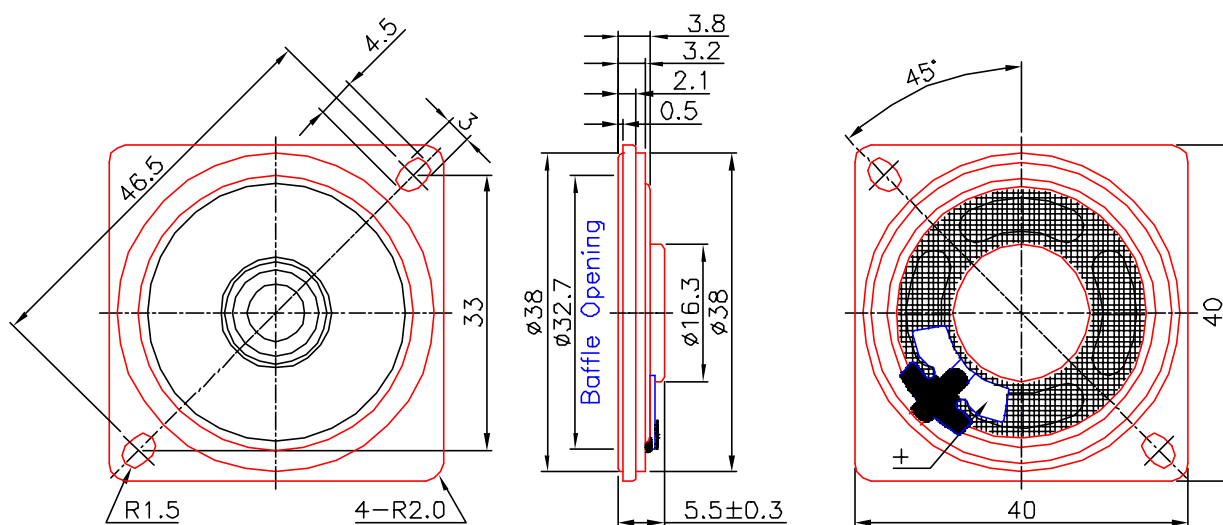
8F., No.7, Lane 16, Sec.2, Szechwan Road, Panchiao, Taipei Hsien, TAIWAN.

TEL: +886-2-29626335

FAX: +886-2-29625220

E-MAIL: VANSONIC@MS4.HINET.NET

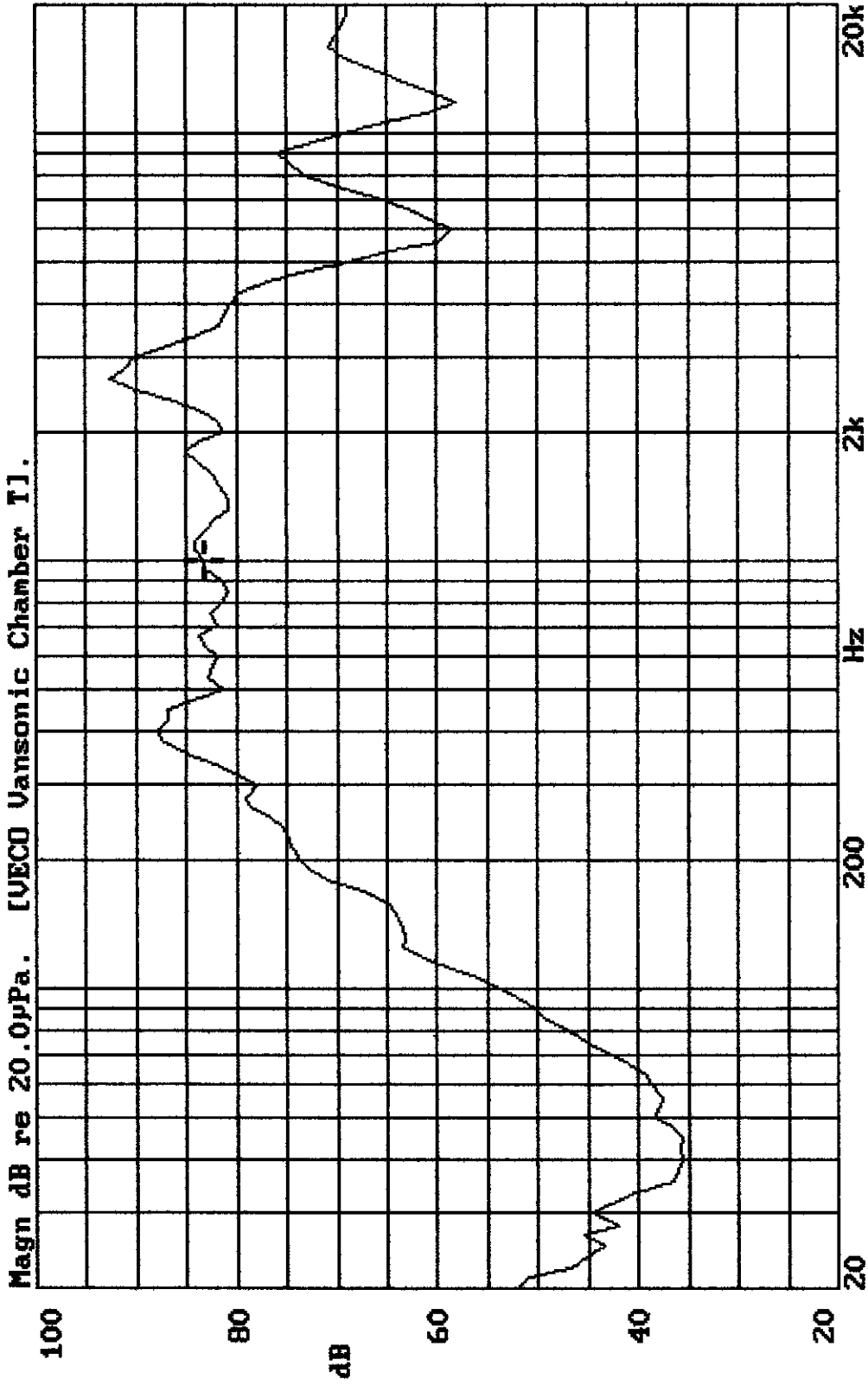
1.	MODEL:	40CS08FNK -M50NT(Clear Mylar)-M50ND(Black Mylar)			
2.	Dimension	Outer Diameter	40x40 mm.	Baffle Opening	32.7 mm.
		Height	Refer to Drawing.	Weight	9.0 Grams.
3.	Magent	Materials	Rare Earth	Size	∅ 11x1.5 mm.
4.	Nominal Impedance	8 ± 15 %	At	1000 Hz.	
5.	Power Rating	Normal	200 mW.	Maximum	400 mW.
6.	Lowest Resonant Frequency	400 ± 20 %			Hz.
7.	Output Sound Pressure Lever (S.P.L.)	82 ± 3 db / 0.2 Watt . 0.5 Meter.			
		Average at	600, 800, 1000, 1200		Hz.
8.	Frequency Range	300 ~ 5000	Hz.	Average SPL	- 10 db.
9.	Distortion	5 %	Maximum At	1000 Hz.	200 mW.
10.	Abnormal Sound Test	Must be Normal Tested By		1.3 Volts.	Sine Wave.
11.	Load Test	White Noise with Weighted Filter		1.3 Volts.(RMS)	24Hrs.
12.	Polarity	Diaphragm shall move Forward when Apply a Positive DC.			
		Current to the "+" or "Marked" Terminal.			



Unit : mm

Housing Material : ABS

40CS08FNK-M50ND VOL:1.265V(0.2W) DIS:0.5M VANSONIC
X:1.0000kHz *Y:83.30dB ZA:1.0000 SSR Fund.



04-MAR-2002 15:01:07

Mode: SPEAKER

