

VECO VANSONIC ENTERPRISE CO., LTD.

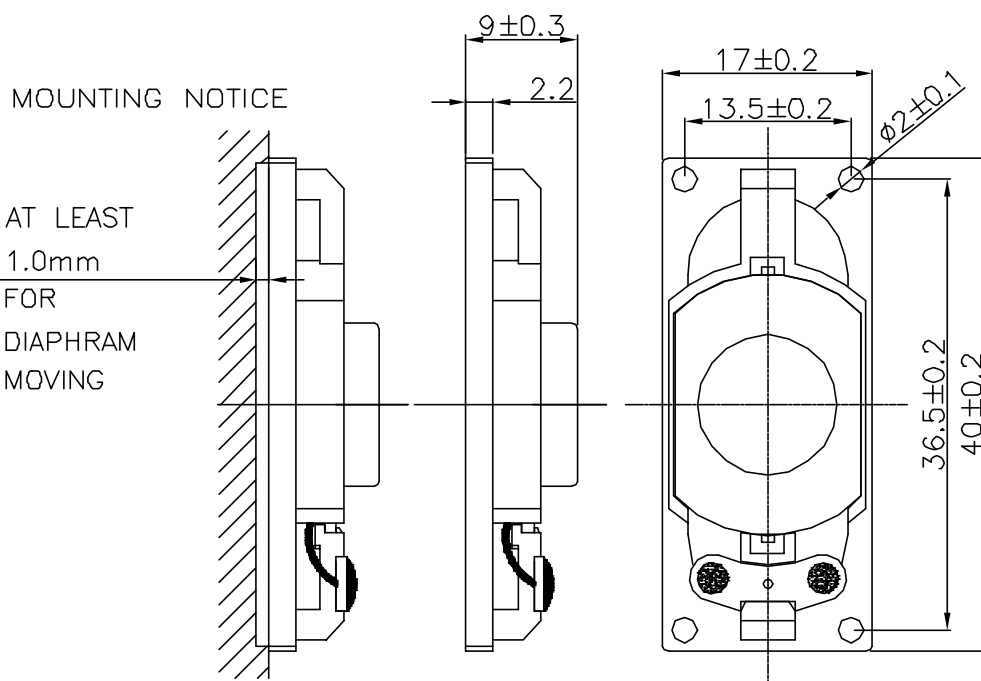
8F., No. 7, Lane 16, Sec. 2, Szechwan Road, Panchiao, Taipei Hsien, TAIWAN.

TEL: +886-2-29626335

FAX: +886-2-29625220

E-MAIL: vansonic@ms4.hinet.net

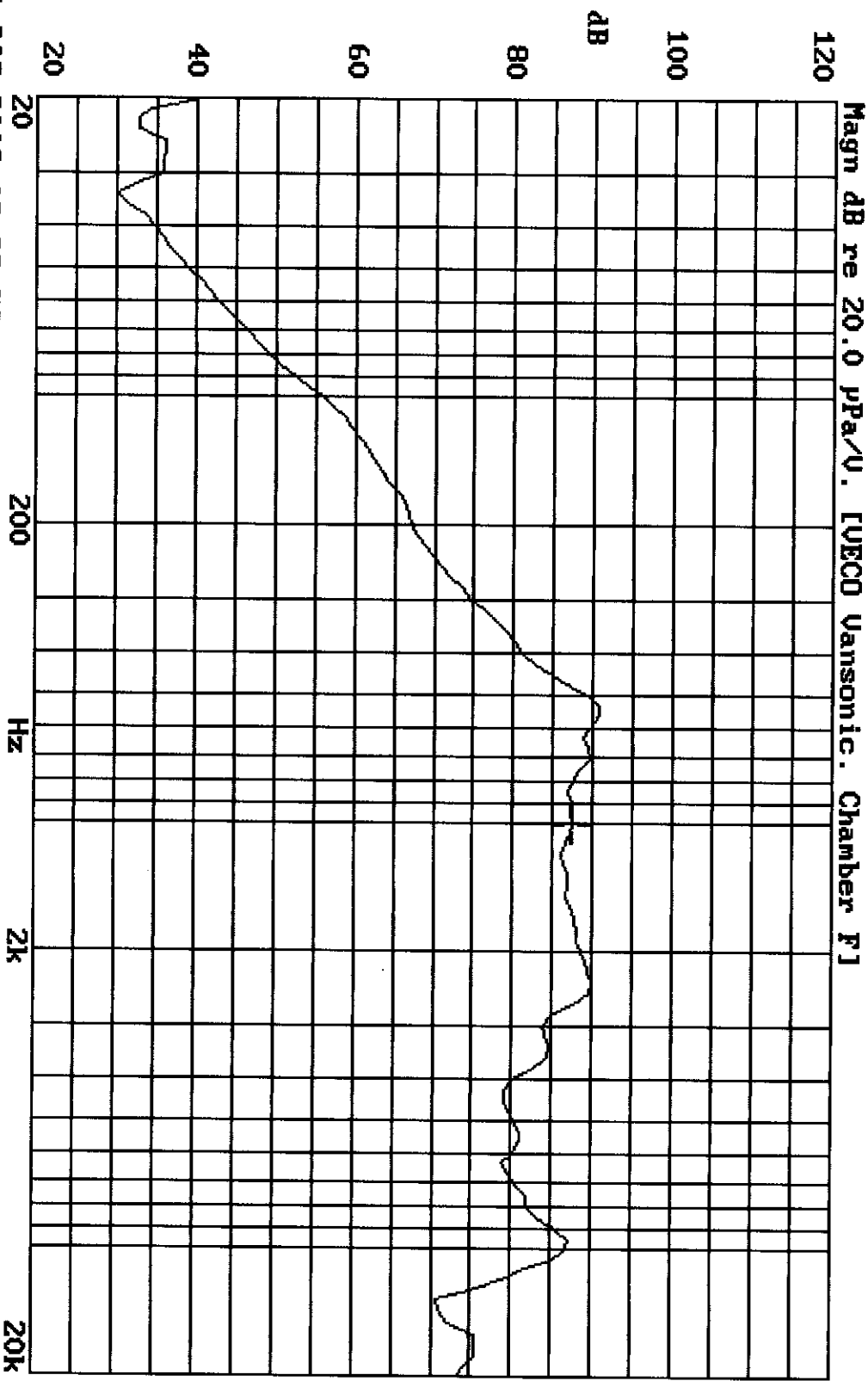
1.	MODEL:	4017KP08			
2.	Dimension	Outer Diameter	40X17 mm.	Baffle Opening	39X16 mm.
		Height	Refer to Drawing	Weight	6.5 Grams.
3.	Magnet	Materials	Rear Earth	Size	ϕ 9.7x2.5 mm.
4.	Nominal Impedance	8	\pm 15 %	At	1000 Hz.
5.	Power Rating	Normal	2 W.	Maximum	3 W.
6.	Lowest Resonant Frequency	480	\pm 20 %		Hz.
7.	Output Sound Pressure Level (S.P.L.)	88	\pm 3 db / 1.0 Watt		0.5 Meter.
		Average at	800, 1000, 1200, 1500		Hz.
8.	Frequency Range	350	~ 20000 Hz.	Average S P L - 10 db.	
9.	Distortion	5 %	Maximum At	1000 Hz.	1000 mW.
10.	Abnormal Sound Test	Must Be Normal Test By 4.0 Volts. Sine Wave.			
11.	Load Test	Pink Noise With Weighted Filter 4.0 Volts.(RMS) 96 Hrs.			
12.	Polarity	Diaphragm shall move Forward when Apply a Positive DC.			
		Current to the "+" or "Marked" Terminal.			



Unit : mm

Housing Material : PBT

4017KPO8 UDL:2.828V(1.0W) DIS:0.5M VANSOONIC
X:1.0000KHz *Y:87.36dB ZA:4.0000 SSR Fund.



02-OCT-2003 09:22:52

Mode: SSR

