

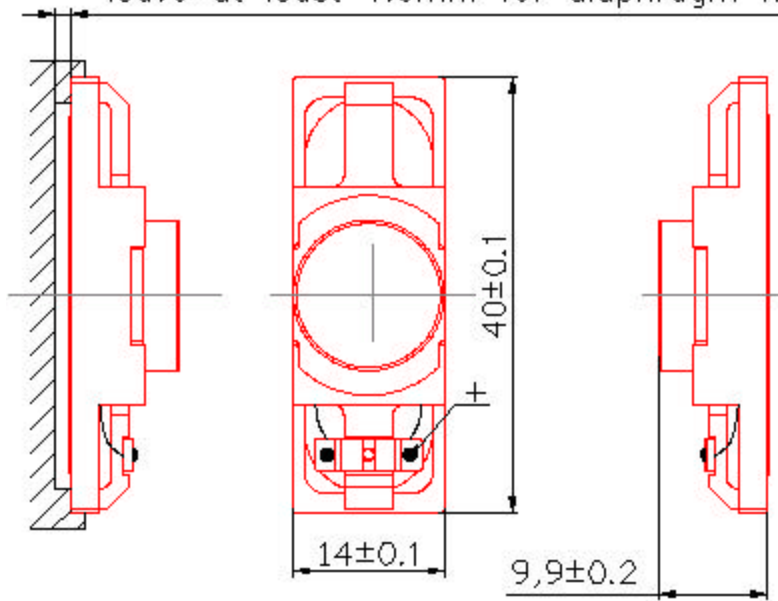
VECO VANSONIC ENTERPRISE CO.,LTD.

8F., No7, Lane16, Sec2, Szechwan Road, Panchiao, Taipei Hsien, TAIWAN.
 E-mail: Vansonic@ms4.hinet.net Homepage: <http://www.veco.com.tw>
 TEL: +886-2-962 6335 FAX: +886-2-962 5220

1.	MODEL:	4014KMG04CX DYNAMIC SPEAKER
2	Dimension	Outer Diameter 40*14mm.
		Height Refer to Fig 1 mm. Weight 5.0 Grams.
3.	Magnet	Materials NdFeB
4.	Impedance	4 Ω ± 15 % At 1000 Hz.
5.	Power Rating	Normal 2.0 W. Maximum 2.5 W.
6	Lowest Resonant Frequency	450 ± 20% Hz at 1.0V measured by SUNLILAB®7117C
7.	Output Sound Pressure (S.P.L.)	84 ± 3 db / 1.0Watt · 0.5Meter , Measured by B&K Type 2012
		At 800, 1000, 1200 ,1500 HZ Average
8.	Frequency Range	280 ~ 20,000 Hz. Average SPL -10db Refer to Fig. 2
9.	Distortion	5% Maximum at 1000 Hz 1.0W.
10.	Abnormal Sound Test	Must be Normal Tested By 2.83 Volts. Sine Wave.
11.	Load Test	Pink noise with HPF(High Pass Filter 235HZ-3db-11db/Oct) 2.83Volts(RMS.)24 hrs.
12	Storage Temperature	- 25°C ~ + 65°C
13.	Operating Temperature	- 20°C ~ + 60°C

MOUNTING NOTICE:

leave at least 1.0mm for diaphragm moving



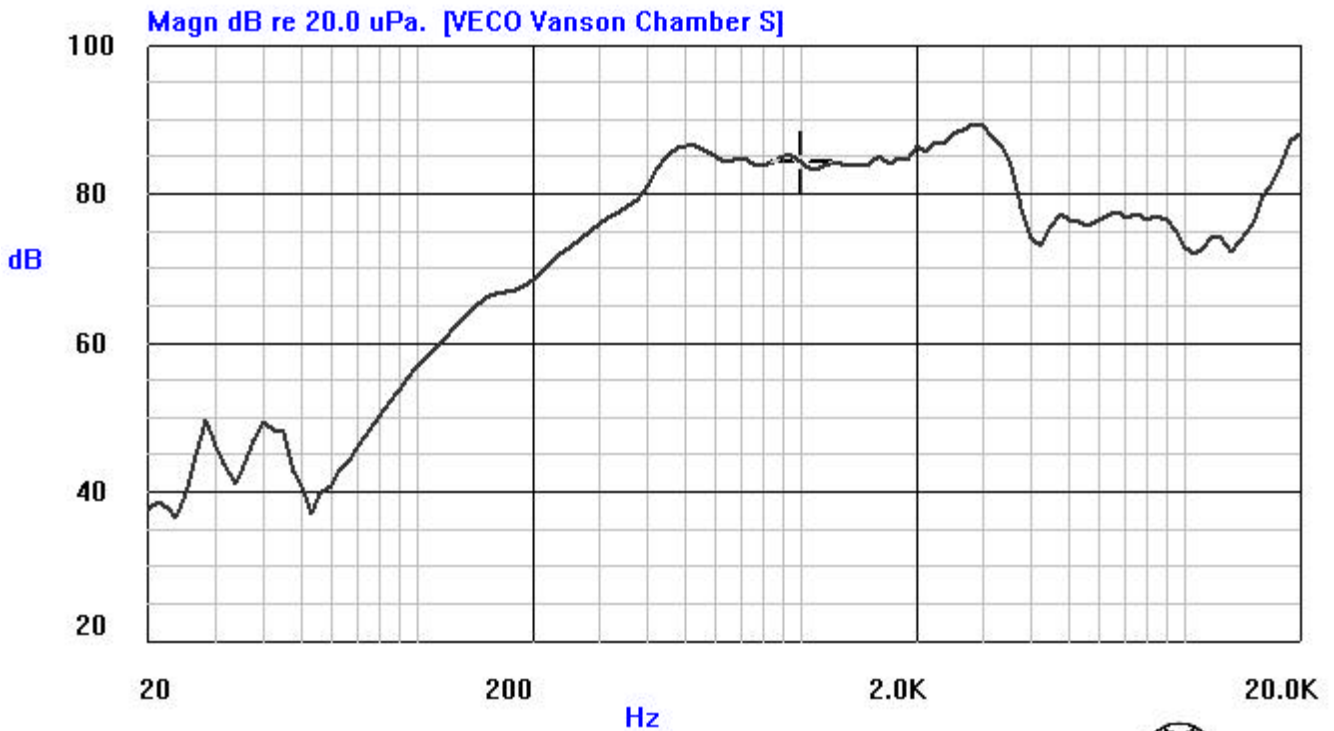
PRELIMINARY

Fig.1

14.Frequency Response Curve.

14.1 Speaker

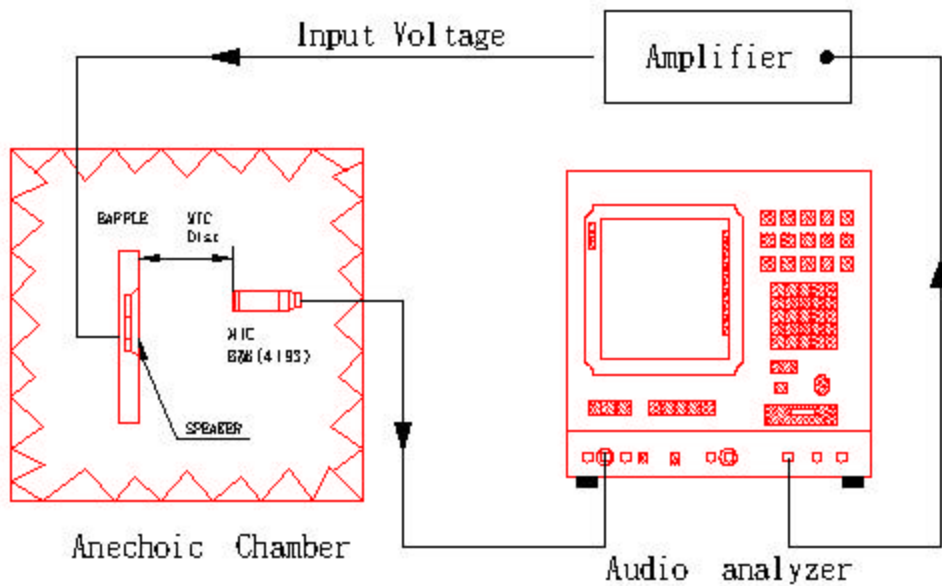
Sound Pressure Level(SPL) :84 ± 3dB 1.0W/0.5M at (800,1k,1.2k,1.5k) AV



Current Curve: 0 X: 1000 Hz Y: 84.25 dB
Time[Y/M/D H:M:S]: 2004/10/20 1:58:25



INPUT: 1.0W
MIC DIST: 0.5M
BAFFLE: IEC6028-5



PRELIMINARY

Fig.2

15.Environment Test

15.1 Environment test – High temperature.

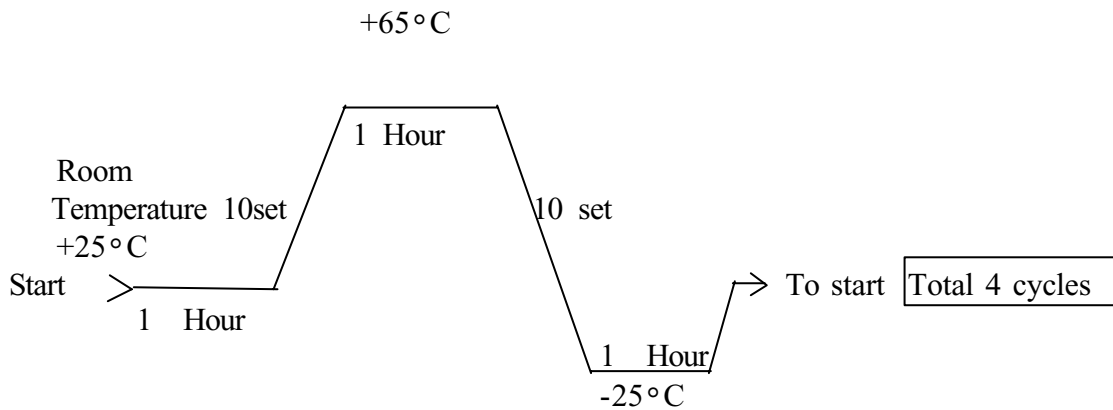
After exposure the speaker in the $+ 65 \pm 3 \text{ }^\circ\text{C}$ chamber for 24 hours, then leave the speaker at room temperature for 1 hour, the SPL should not deviate by $\pm 3 \text{ db}$, compare with pre-test measurement.

15.2 Environment test - Low temperature.

After exposure the speaker in the $- 25 \pm 3 \text{ }^\circ\text{C}$ chamber for 24 hours, then leave the speaker at room temperature for 1 hour, the SPL should not deviate by $\pm 3 \text{ db}$, compare with pre-test measurement.

15.3 Environment test-Temperature cycle.

After exposure the speaker in the chamber, temperature cycle setting as below shows, SPL should not Deviate by $\pm 4\text{db}$,compare with pre-test measurement.



15.4 Environment test – Humidity.

After exposure the speaker in the $+ 40 \pm 3 \text{ }^\circ\text{C}$, relative humidity $90\% \sim 95\%$ chamber for 24 hours, then leave the speaker at room temperature for 6 hours, the SPL should not deviate by $\pm 3\text{db}$, compare with pre-test measurement.

PRELIMINARY