

# VECO VANSONIC ENTERPRISE CO., LTD.

**8F.,No.7,Lane 16, Sec.2, Szechwan Road, Panchiao, Taipei Hsien, TAIWAN.**

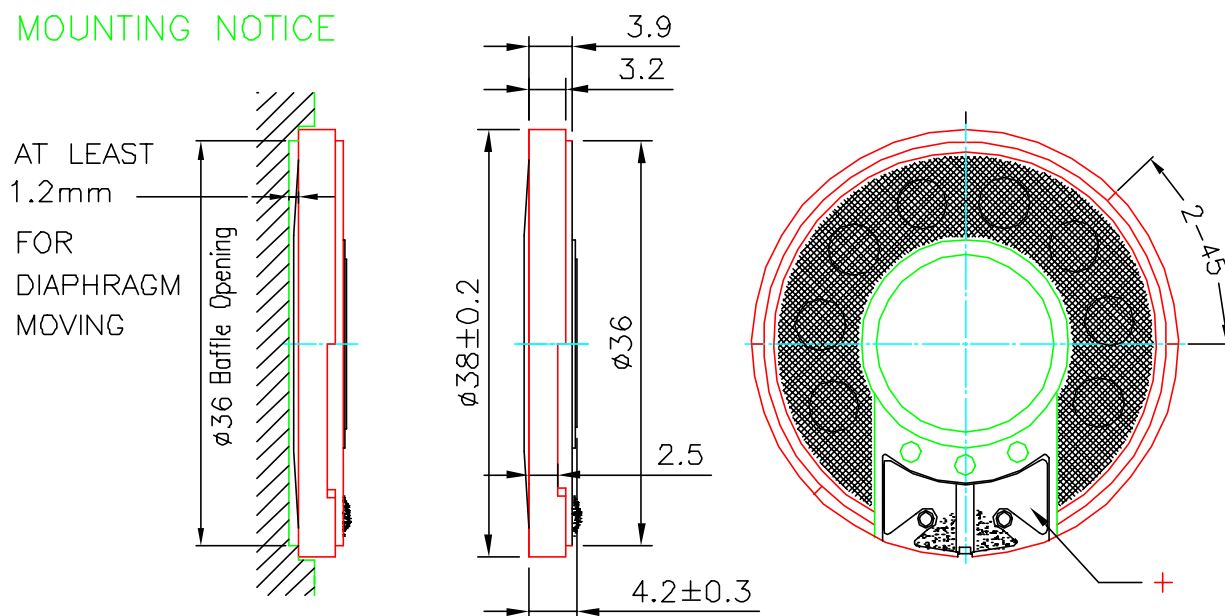
TEL: +886-2-29626335

TEL: +886-2-29625220

E-MAIL: vansonic@ms4.hinet.net

1.	<b>MODEL:</b>	<b>38CR08G-M75ND</b> (Black Mylar)			
2.	Dimension	Outer Diameter	<b>38</b> mm.	Baffle Opening	<b>36.2</b> mm.
		Height	<b>Refer to Drawing</b>	Weight	<b>6</b> Grams.
3.	Magnet	Materials	<b>Rare Earth</b>	Size	$\phi$ <b>12.5X 1.5</b> mm.
4.	Nominal Impedance	<b>8</b>	$\pm$ <b>15</b> %	At	<b>1000</b> Hz.
5.	Power Rating	Normal	<b>300</b> mW.	Maximum	<b>600</b> mW.
6.	Lowest Resonant Frequency	<b>380</b>	$\pm$ <b>20</b> %		Hz.
7.	Output Sound Pressure Level (S.P.L.)		<b>80</b> $\pm$ <b>3</b> db / 0.3 Watt		0.5 Meter.
		Average at	<b>600, 800, 1000, 1200</b>		Hz.
8.	Frequency Range	<b>200</b> ~ <b>20000</b>	Hz.	Average S P L -	10 db.
9.	Distortion	<b>5</b> %	Maximum At	<b>1000</b> Hz.	<b>300</b> mW.
10.	Abnormal Sound Test	Must Be Normal Test By <b>1.6</b> Volts. Sine Wave.			
11.	Load Test	White Noise With Weighted Filter <b>1.6</b> Volts.(RMS) <b>24</b> Hrs.			
12.	Polarity	Diaphragm shall move Forward when Apply a Positive DC.			
		Current to the "+" or "Marked" Terminal.			

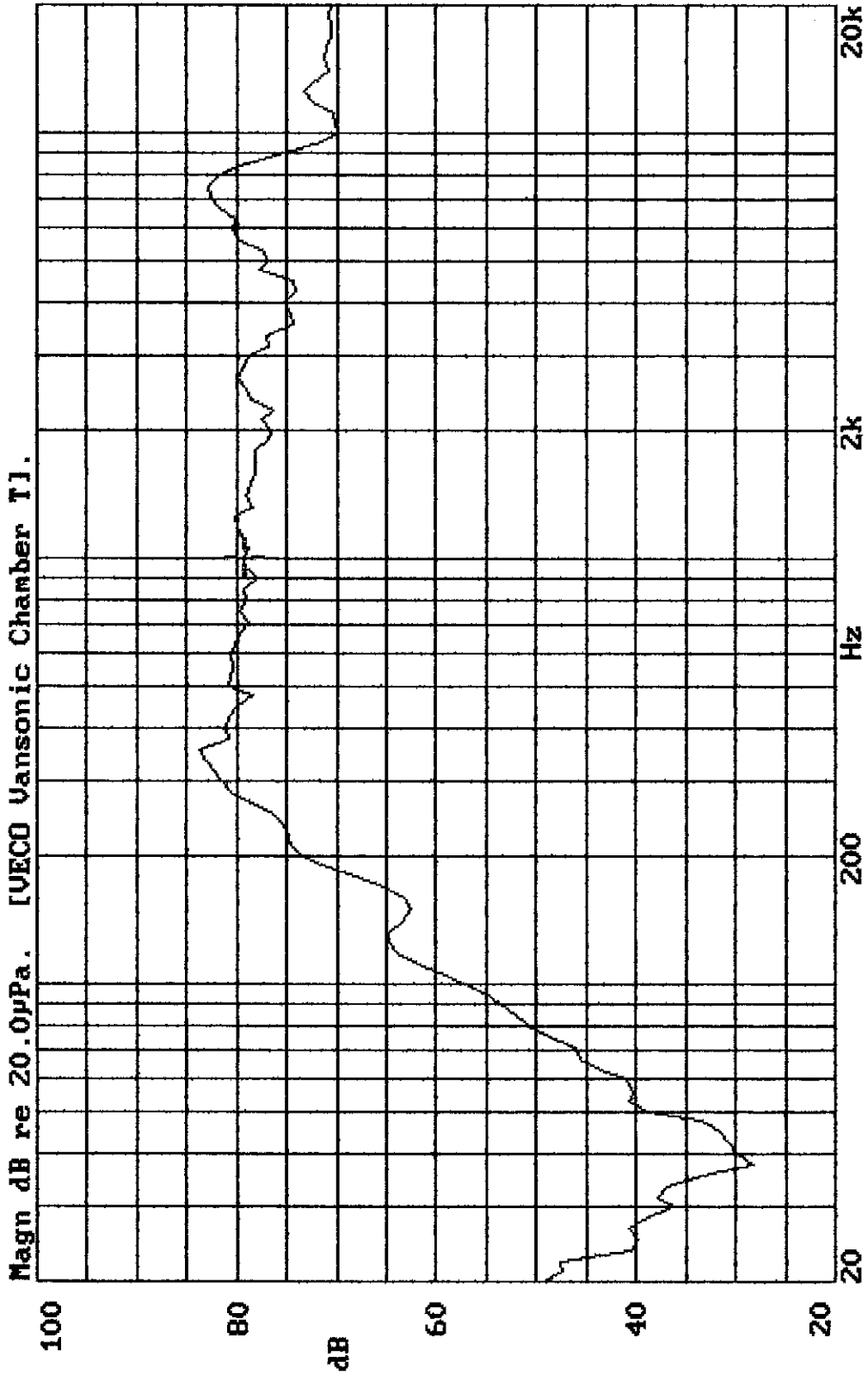
## MOUNTING NOTICE



Unit : mm

Housing Material : ABS

3BCROBG-M75ND VOL:1.549V(0.3W) DIS:0.5M VANSONIC  
X:1.000kHz \*Y:79.32dB ZA:Live Curve SSR Fund.



19-OCT-1999 10:48:23

Mode: SPEAKER

