

VECO VANSONIC ENTERPRISE CO.,LTD.

8F.,No.7,Lane 16, Sec.2, Szechwan Road, Panchiao, Taipei Hsien, TAIWAN.

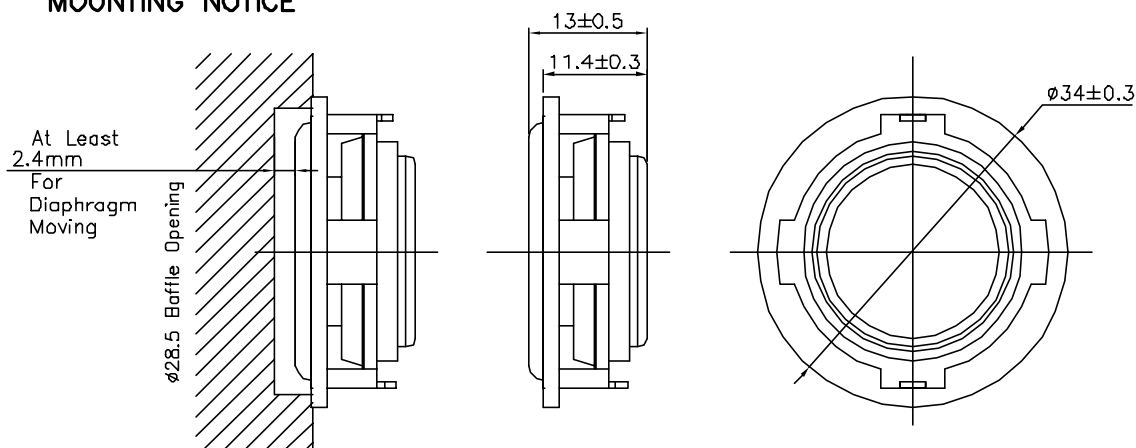
TEL: +866-2-29626335

FAX: +866-2-29625220

E-MAIL: vansonic@ms4.hinet.net

1.	MODEL:	34RE08
2.	Dimension	Outer Diameter $\phi 34$ mm.
		Height Refer to Drawing Weight 15 Grams.
3.	Magnet	Materials Rare Earth Size $\phi 15.5 \times 2.2$ mm.
4.	Nominal Resistance	8 Ω \pm 15 %
5.	Power Rating	Normal 3 W. Maximum 5 W.
6.	Lowest Resonant Frequency	180 \pm 20 % Hz.
7.	Output Sound Pressure Level (S.P.L.)	81 \pm 3 db / 1.0 Watt . 0.5 Meter.
		Average at 600, 800, 1000, 1200 Hz.
8.	Frequency Range	120 ~ 15000 Hz. Average S P L - 10 db.
9.	Distortion	5 % Maximum At 1000 Hz. 1 W.
10.	Abnormal Sound Test	Must be Normal Tested By 4.9 Volts. Sine Wave.
11.	Load Test	White Noise with Weighted Filter 4.9 Volts.(RMS) 24 Hrs.
12.	Polarity	Diaphragm shall move Forward when Apply a Positive DC.
		Current to the "+" or "Marked" Terminal.

MOUNTING NOTICE

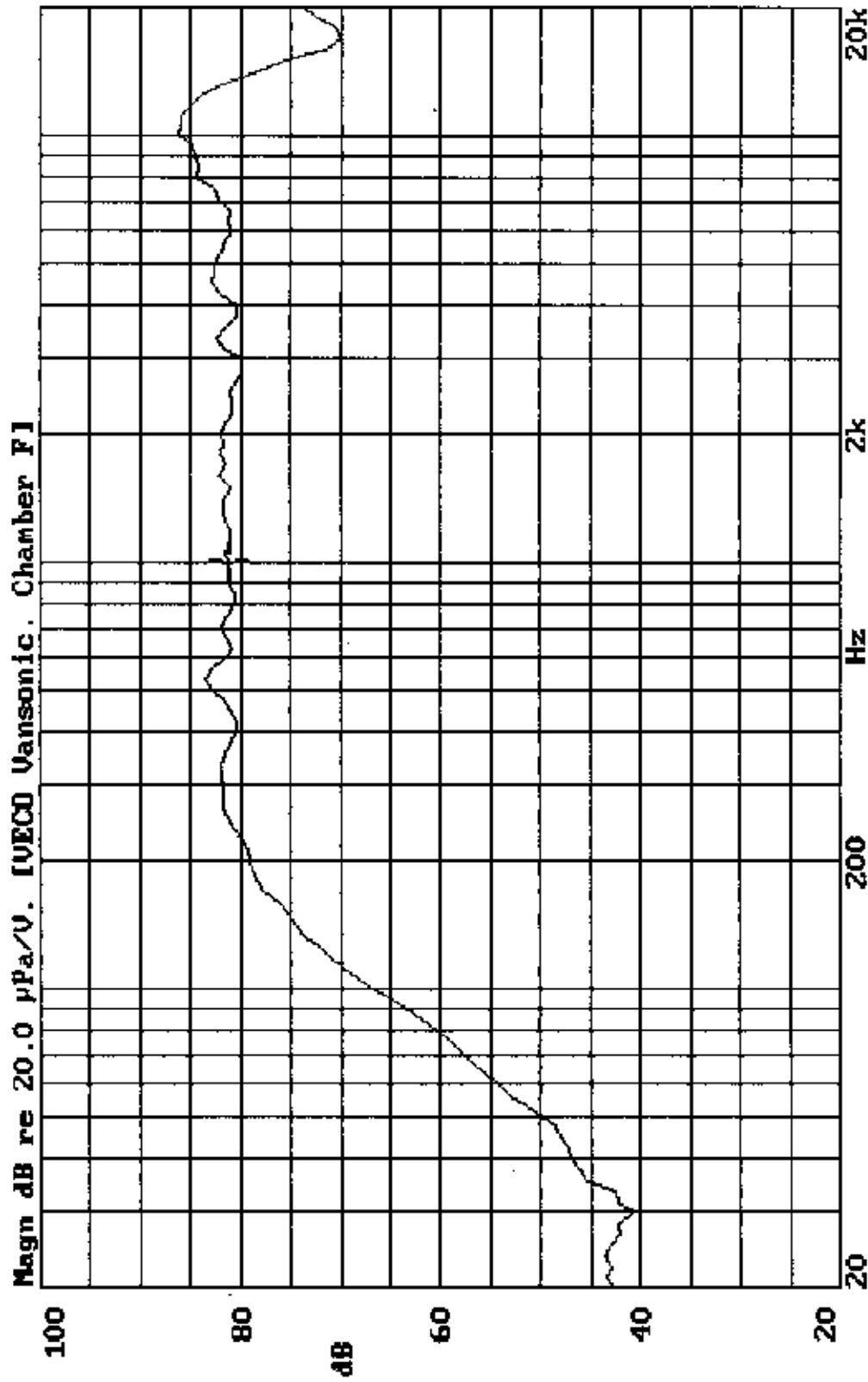


Unit : mm

Housing Material : PBT

P34RE08 VOL:2.828V(1.0W) DIS:0.5M VANSONIC
X:1.0000kHz *Y:81.24dB ZA:1.0000

SSR Fund.



06-AUG-2003 12:29:41

Mode: SPEAKER

