

# VECO VANSONIC ENTERPRISE CO., LTD.

**8F.,No.7,Lane 16, Sec.2, Szechwan Road, Panchiao, Taipei Hsien, TAIWAN.**

TEL: +886-2-29626335

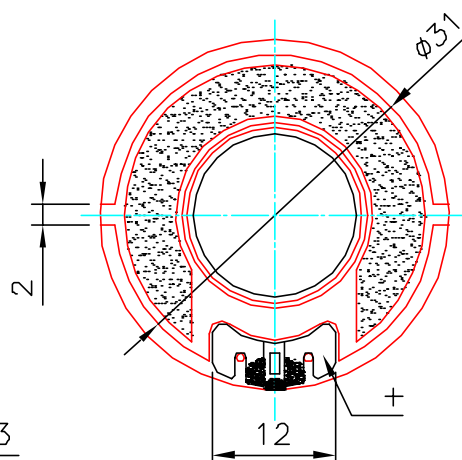
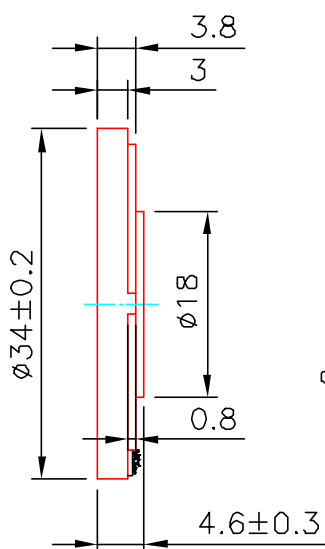
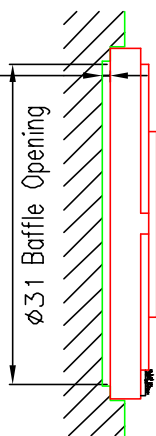
FAX: +886-2-29625220

E-MAIL: vansonic@ms4.hinet.net

1.	<b>MODEL:</b>	<b>34CS08G</b> -M38ND(Black Mylar)-M38NT(Clear Mylar)			
2.	Dimension	Outer Diameter	<b>34</b> mm.	Baffle Opening	<b>31</b> mm.
		Height	<b>Refer to Drawing</b> .	Weight	<b>5.4</b> Grams.
3.	Magnet	Materials	<b>Rare Earth</b> .	Size	$\phi$ <b>12.5X 1.5</b> mm.
4.	Nominal Impedance	<b>8</b>	$\pm$ <b>15</b> %	At	<b>1000</b> Hz.
5.	Power Rating	Normal	<b>200</b> mW.	Maximum	<b>400</b> mW.
6.	Lowest Resonant Frequency	<b>330</b>	$\pm$ <b>15</b> %		Hz.
7.	Output Sound Pressure Level (S.P.L.)		<b>80</b> $\pm$ <b>3</b> db / 0.2 Watt .		<b>0.5</b> Meter.
		Average at	<b>800, 1000, 1200, 1500</b>		Hz.
8.	Frequency Range	<b>170</b> ~ <b>12000</b>	Hz.	Average S P L -	<b>10</b> db.
9.	Distortion	<b>5</b> %	Maximum At	<b>1000</b> Hz.	<b>200</b> mW.
10.	Abnormal Sound Test	Must Be Normal Test By <b>1.3</b> Volts. Sine Wave.			
11.	Load Test	White Noise With Weighted Filter <b>1.3</b> Volts.(RMS) <b>24</b> Hrs.			
12.	Polarity	Diaphragm shall move Forward when Apply a Positive DC.			
		Current to the "+" or "Marked" Terminal.			

## MOUNTING NOTICE

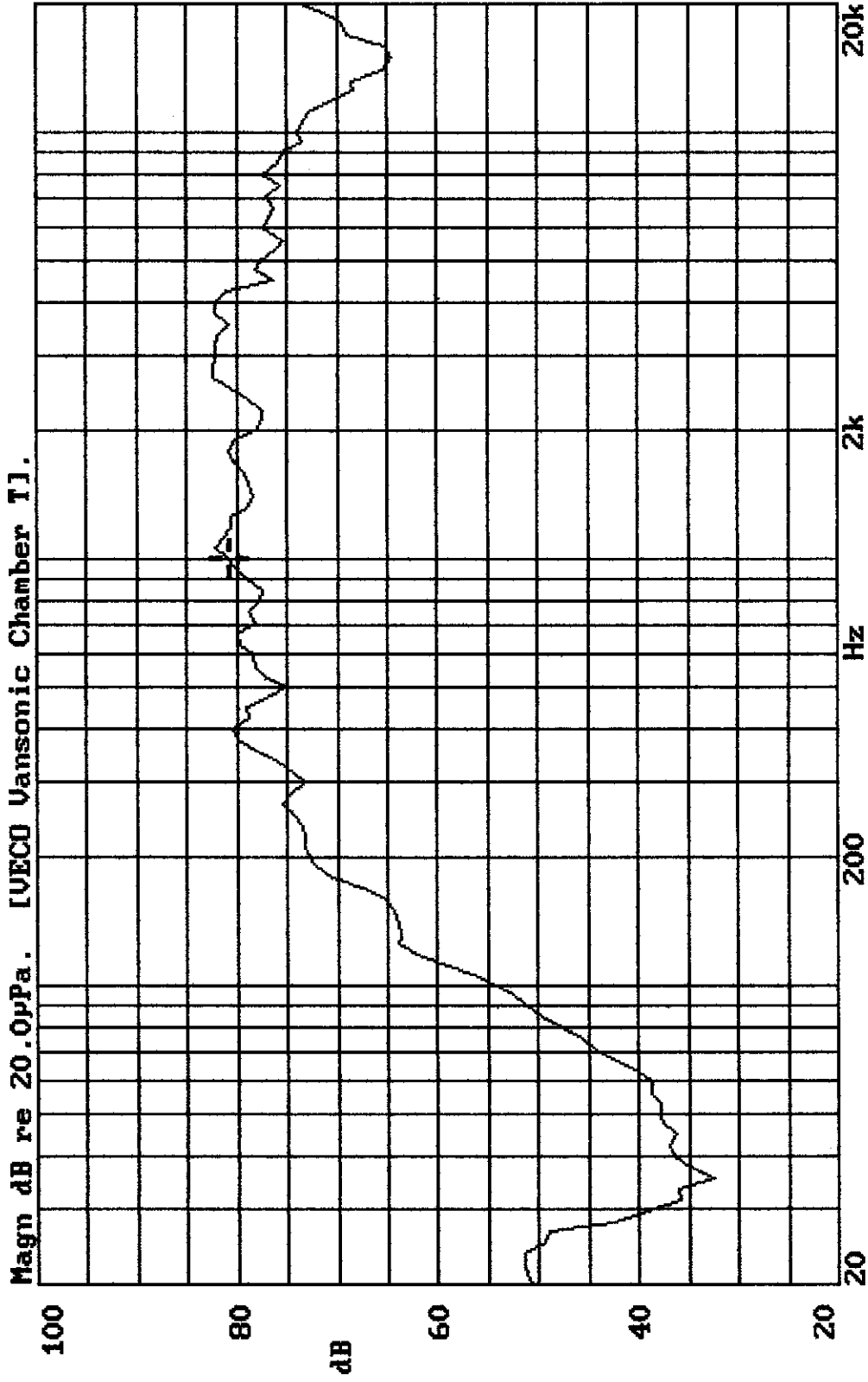
AT LEAST  
0.8mm  
FOR  
DIAPHRAGM  
MOVING



Unit : mm

Housing Material : ABS

34CS08G-M3BND VOL:1.265V(0.2W) DIS:0.5M VANSONIC  
X:1.0000kHz \*Y:80.83dB ZA:1.0000 SSR Fund.



02-FEB-2002 10:18:37

Mode: SSR

