

# VECO VANSONIC ENTERPRISE CO., LTD.

8F., No.7, Lane 16, Sec.2, Szechwan Road, Panchiao, Taipei Hsien, TAIWAN.

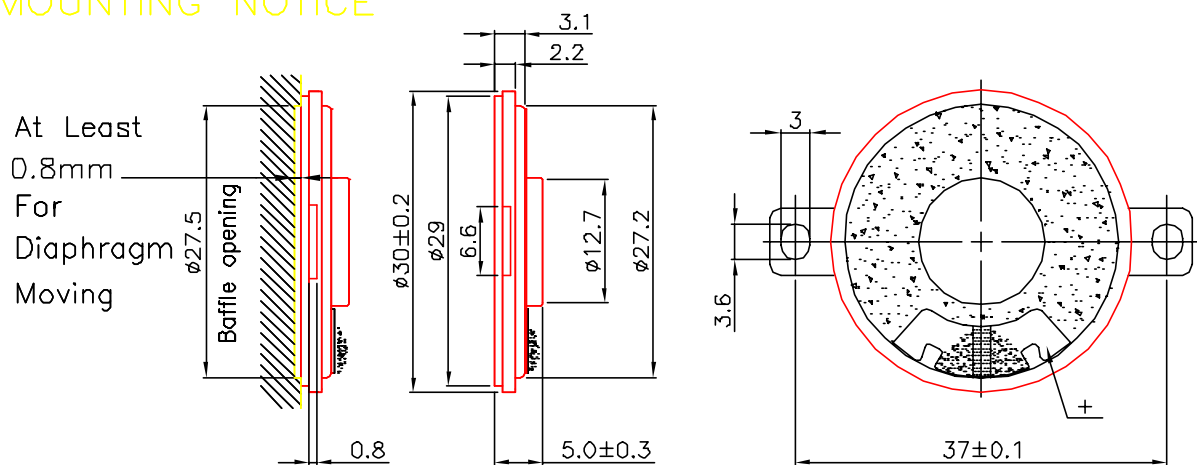
TEL: +886-2-29626335

FAX: +886-2-29625220

E-MAIL: VANSONIC@MS4.HINET.NET

1.	<b>MODEL:</b>	<b>30CS08FEP</b>			
2.	Dimension	Outer Diameter	30 mm.	Baffle Opening	27.5 mm.
		Height	Refer to Drawing.	Weight	5.4 Grams.
3.	Magnet	Materials	Rare Earth	Size	∅ 9.5X1.5 mm.
4.	Nominal Impedance	8	± 15 %	At	1500 Hz.
5.	Power Rating	Normal	1000 mW.	Maximum	2000 mW.
6.	Lowest Resonant Frequency	450	± 20 %		Hz.
7.	Output Sound Pressure Level (S.P.L.)	85 ± 3 db / 1 Watt . 0.5 Meter.			
		Average at	600,	800,	1000, 1200 Hz.
8.	Frequency Range	200	~ 20000 Hz.	Average SPL - 10 db.	
9.	Distortion	5 %	Maximum At	1000 Hz.	1000 mW.
10.	Abnormal Sound Test	Must be Normal Tested By		2.9 Volts.	Sine Wave.
11.	Load Test	White Noise with Weighted Filter		2.9 Volts.(RMS)	24Hrs.
12.	Polarity	Diaphragm shall move Forward when Apply a Positive DC.			
		Current to the "+" or "Marked" Terminal.			

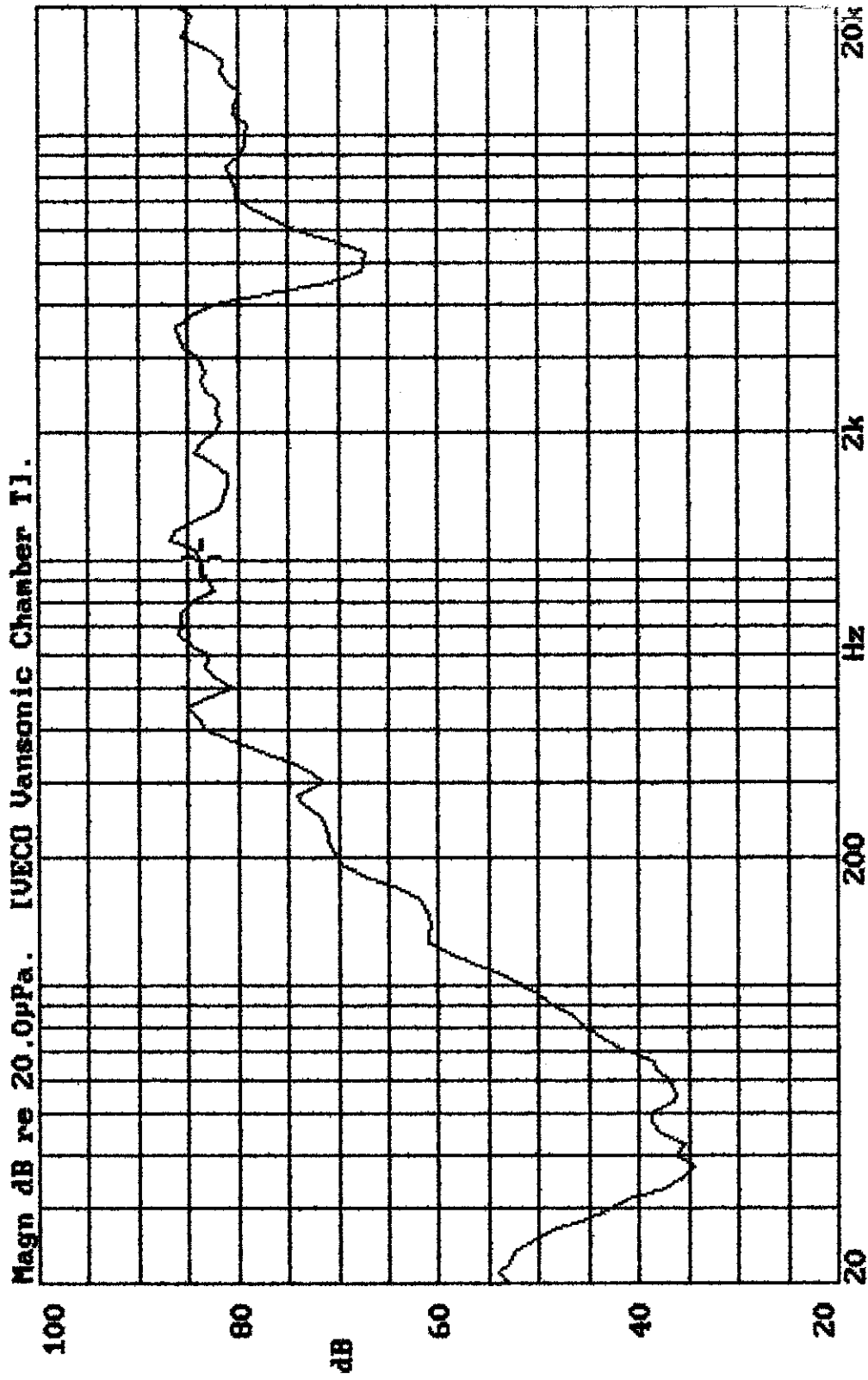
## MOUNTING NOTICE



Unit : mm

Housing Material : METAL

30CS08FEP VOL:2.828V(1W) DIS:0.5M VANSONIC  
X:1.0000kHz \*Y:83.70dB ZA:1.0000 SSR Fund.



12-JUN-2001 10:06:46

Mode: SSR

