

VECO VANSONIC ENTERPRISE CO., LTD.

8F.,No.7,Lane 16, Sec.2, Szechwan Road, Panchiao, Taipei Hsien, TAIWAN.

TEL: +886-2-29626335

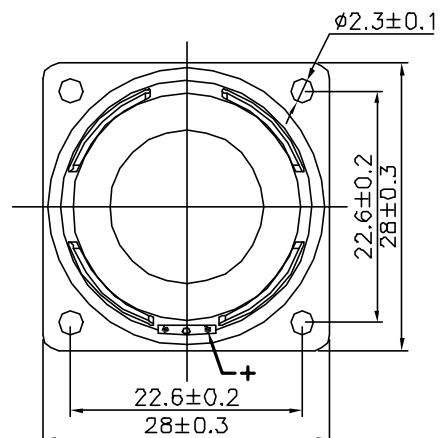
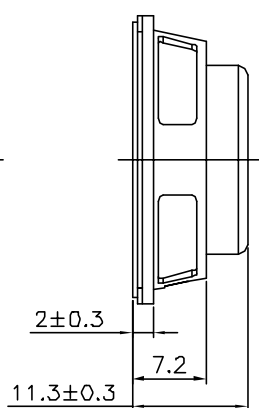
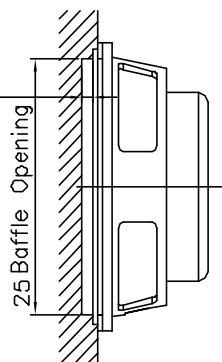
FAX: +886-2-29625220

E-MAIL: vansonic@ms4.hinet.net

1.	MODEL:	28AF08K				
2.	Dimension	Outer Diameter	28x 28 mm.	Baffle Opening	ø25 mm.	
		Height	Refer to Drawing	Weight	12 Grams.	
3.	Magnet	Materials	Rare Earth	Size	ø 12.8 x 2.2 mm.	
4.	Nominal Impedance	8 Ω ± 15 %	At	1500 Hz.		
5.	Power Rating	Normal	2 W.	Maximum	3 W.	
6.	Lowest Resonant Frequency	320 ± 20 %			Hz.	
7.	Output Sound Pressure Lever (S.P.L.)	82 ± 3 db / 1.0 Watt		0.5 Meter.		
		Average at	600, 800, 1000, 1200 Hz.			
8.	Frequency Range	180 ~ 20000 Hz.		Average S P L - 10 db.		
9.	Distortion	5 % Maximum At	1000 Hz.	1 W.		
10.	Abnormal Sound Test	Must be Normal Tested By	4 Volts.	Sine Wave.		
11.	Load Test	White Noise with Weighted Filter	4 Volts.(RMS)	24 Hrs.		
12.	Polarity	Diaphragm shall move Forward when Apply a Positive DC.				
		Current to the "+" or "Marked" Terminal.				

MOUNTING NOTICE

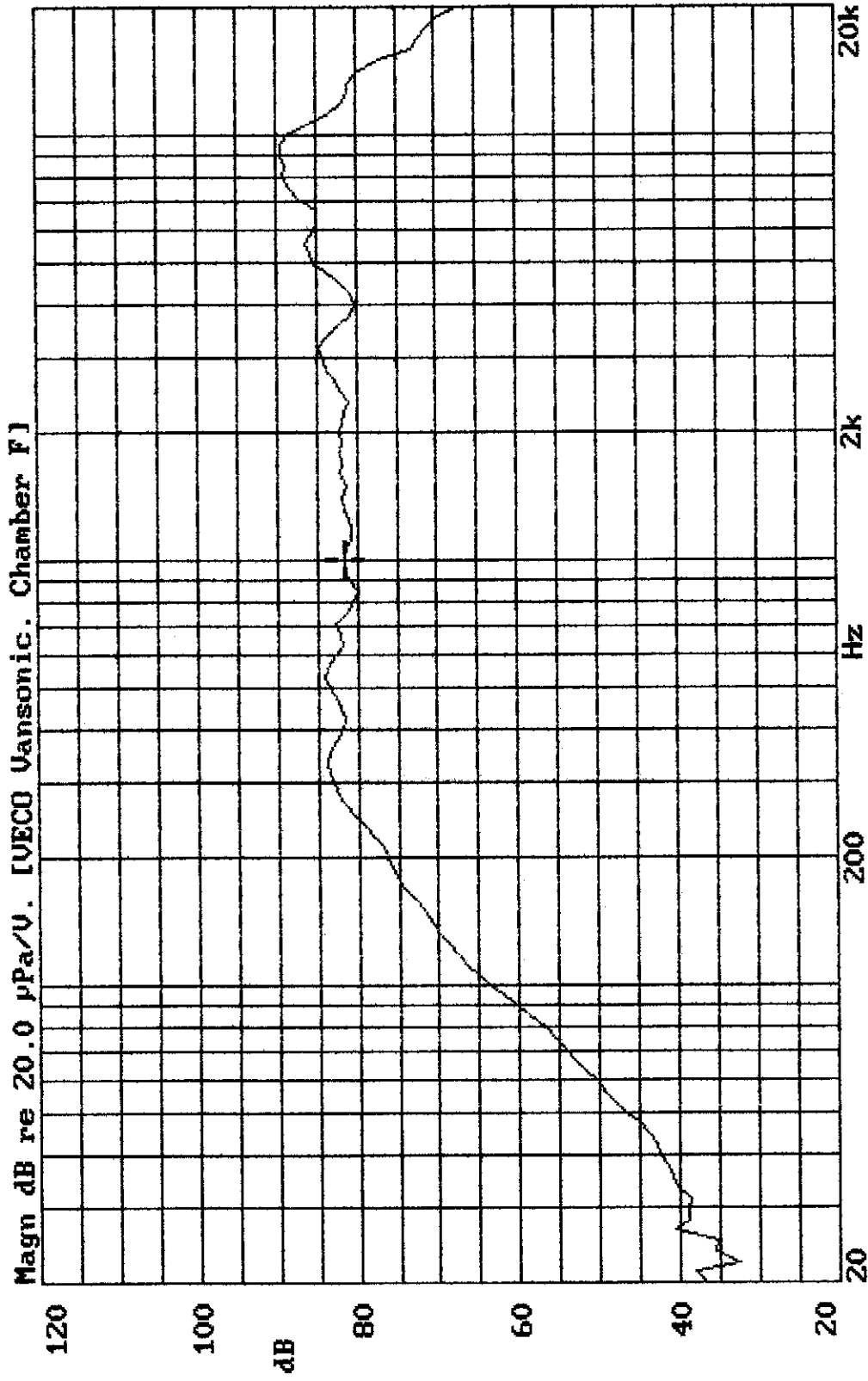
AT LEAST
1.0 mm
FOR
DIAPHRAGM
MOVING



Unit : mm

Housing Material : METAL

P28AF08K VOL:2.83(1W) DIS:0.5M VANSONIC
X:1.0000KHz *Y:81.56dB ZA:1.0000
SSR Fund.



10-DEC-2002 08:26:17

Mode: SPEAKER

