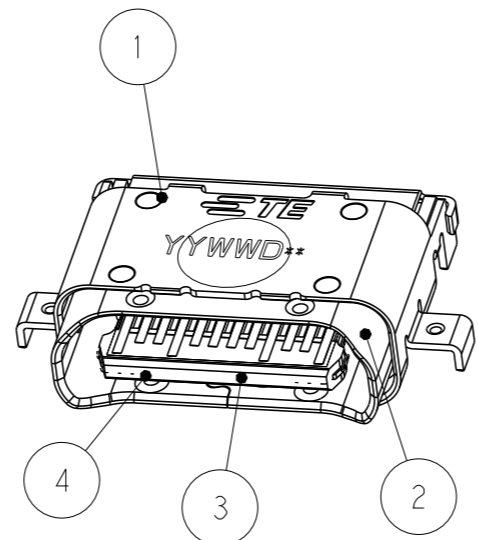
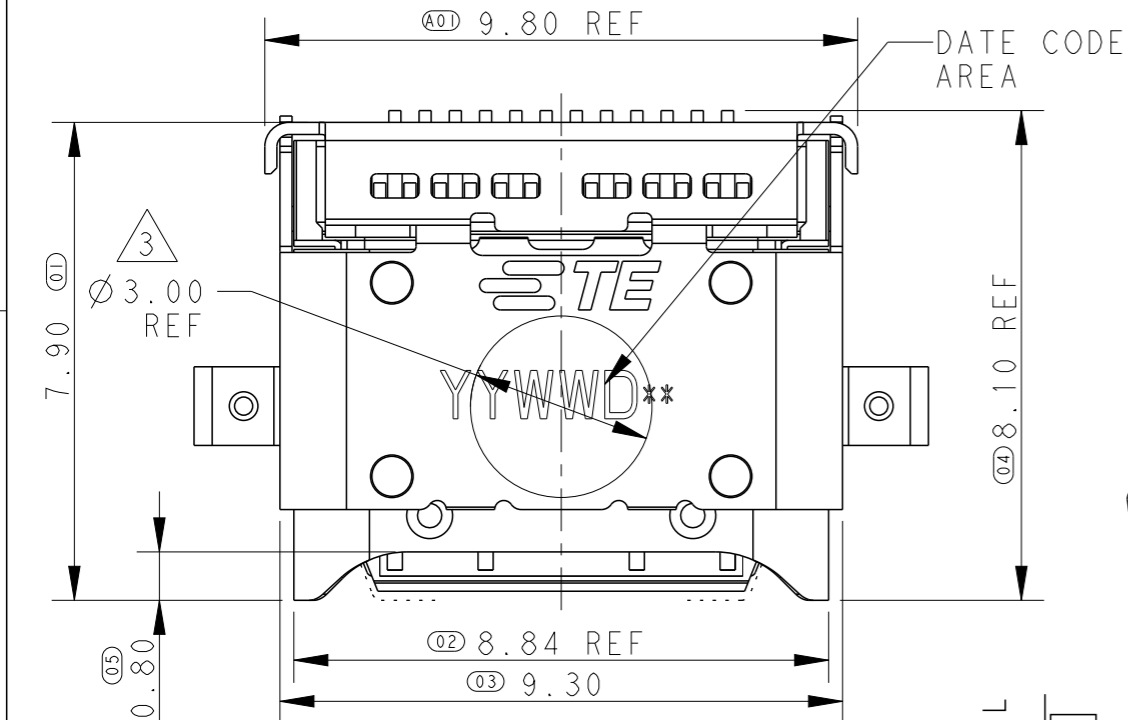


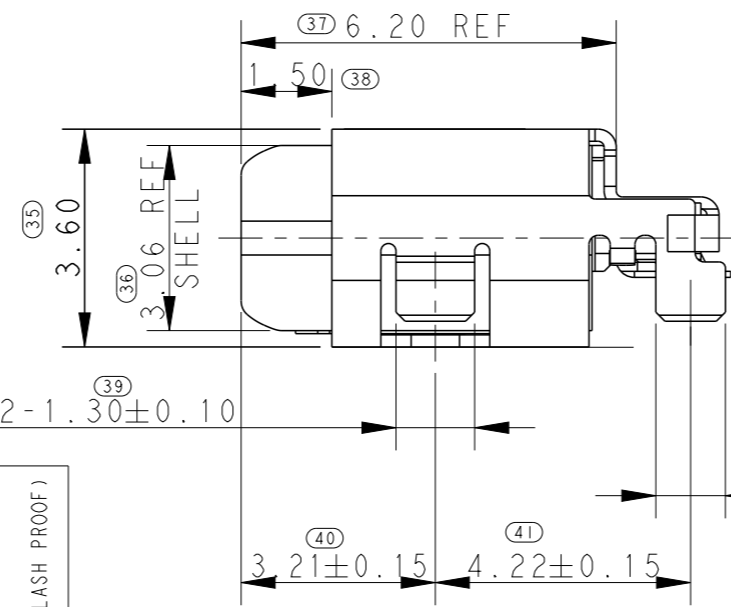
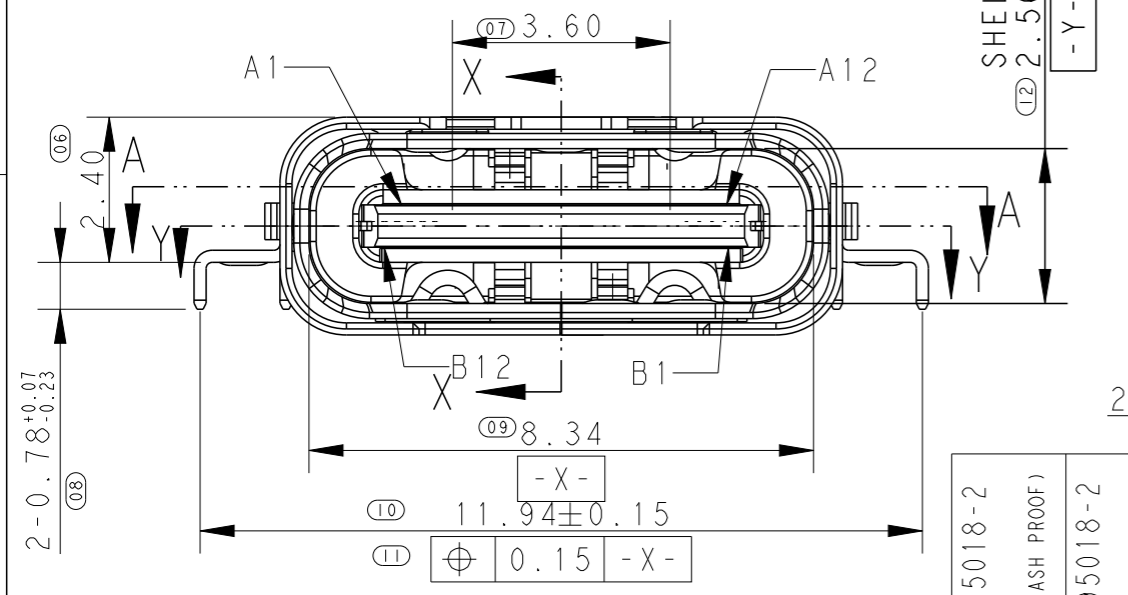
REVISIONS					
P	LTR	DESCRIPTION	DATE	DWN	APVD
	7	REVISED	19FEB2016	S.ZH	H.WU
	8	OPTIMIZE FRONT OF MID-PLATE	07MAR2016	S.ZH	H.WU

SHOWN AS; 2295018-2



- NOTES:
- 1. MATERIAL : SEE TABLE "A"
 - 2. FINISH : SEE TABLE "A"
 - 3. PICKING AREA
 - 4. DATE CODE
 - 5. FEATURES IDENTIFIED AS STATISTICALLY TOLERANCED (ST)

DAY SHIFT OR NIGHT SHIFT
 YYWWD**
 ASSY LINE NO. A,B,C,***



FOR ALL SMT CONTACT TAILS BEFORE REFLOW 0.10MAX. AFTER REFLOW 0.12MAX.

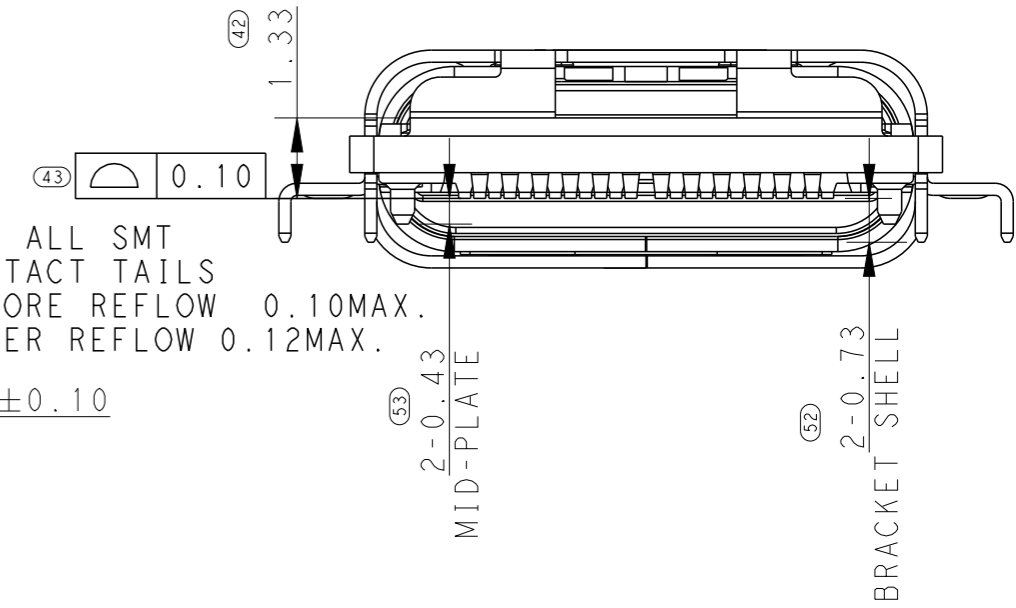


TABLE "A"

ITEM	DESCRIPTION	MATERIAL AND FINISH	Q'TY	Q'TY
-	PACKAGE		-	-
11	POTTING	SILICONE	1	1
10	MYLAR	POLYMIND TAPE	1	
9	LOWER CONTACT	ALLOY. CONTACT AREA:GOLD PLATED. SOLDER AREA:MATTE SN PLATED. ALL OVER:NI PLATED	1	1
8	UPPER CONTACT		1	1
7	LOWER CONTACT IM	HIGH TEMPERATURE PLASTIC,BLACK, UL94V-0	1	1
6	UPPER CONTACT IM	HIGH TEMPERATURE PLASTIC,BLACK, UL94V-0	1	1
5	INNER SHELL	STAINLESS STEEL, CLEANING	2	2
4	MID-PLATE	STAINLESS STEEL, OVER ALL, NI PLATED.	1	1
3	MAIN IM HOUSING	HIGH TEMPERATURE PLASTIC,BLACK, UL94V-0	1	1
2	MAIN SHELL	STAINLESS STEEL, OVER ALL, NI PLATED.	1	1
1	BRACKET SHELL	STAINLESS STEEL, OVER ALL, NI PLATED.	1	1

2295018-2 (SPLASH PROOF)
 1-2295018-2 (NONE SPLASH PROOF)

THIS DRAWING IS A CONTROLLED DOCUMENT.

DIMENSIONS: mm

TOLERANCES UNLESS OTHERWISE SPECIFIED:

0 PLC	±0.25
1 PLC	±0.25
2 PLC	±0.25
3 PLC	±0.25
4 PLC	±0.25
ANGLES	±3°
FINISH	-

MATERIAL SEE DRAWING

DWN	S.ZH	18AUG2015
CHK	H.WU	18AUG2015
APVD	H.WU	18AUG2015
PRODUCT SPEC	108-115109-2	
APPLICATION SPEC	-	
WEIGHT	-	
CUSTOMER DRAWING	-	

STE TE Connectivity

NAME: USB C, RECEPTACLE, DUAL ROW SMT, OFFSET 0.65MM

SIZE	CAGE CODE	DRAWING NO	RESTRICTED TO
A3	-	C-2295018	-

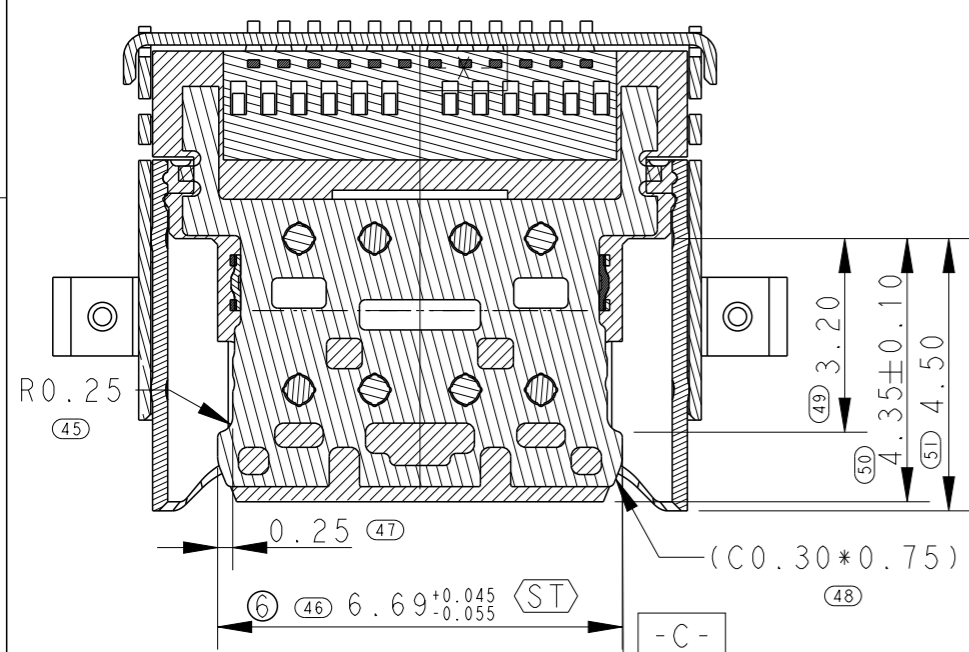
SCALE 8:1 SHEET 1 OF 4 REV 8

THIS DRAWING IS UNPUBLISHED. RELEASED FOR PUBLICATION 20
COPYRIGHT 20 BY - ALL RIGHTS RESERVED.

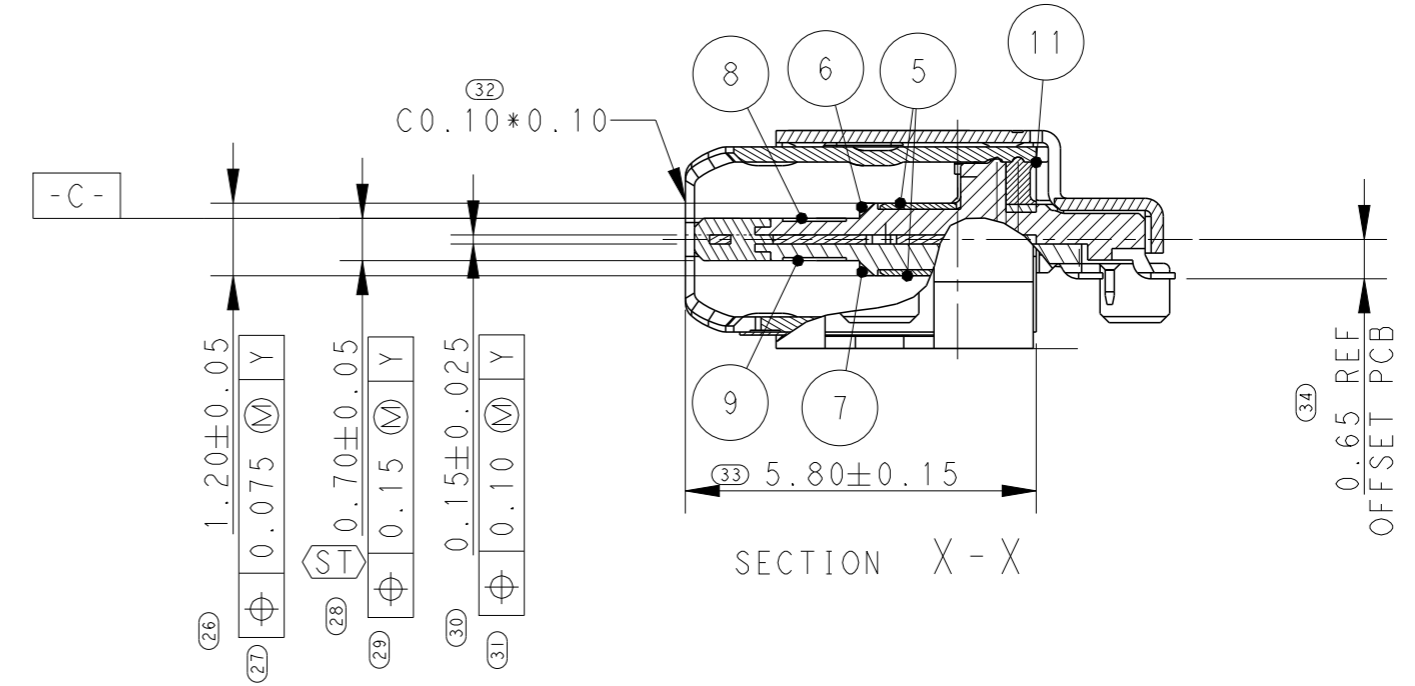
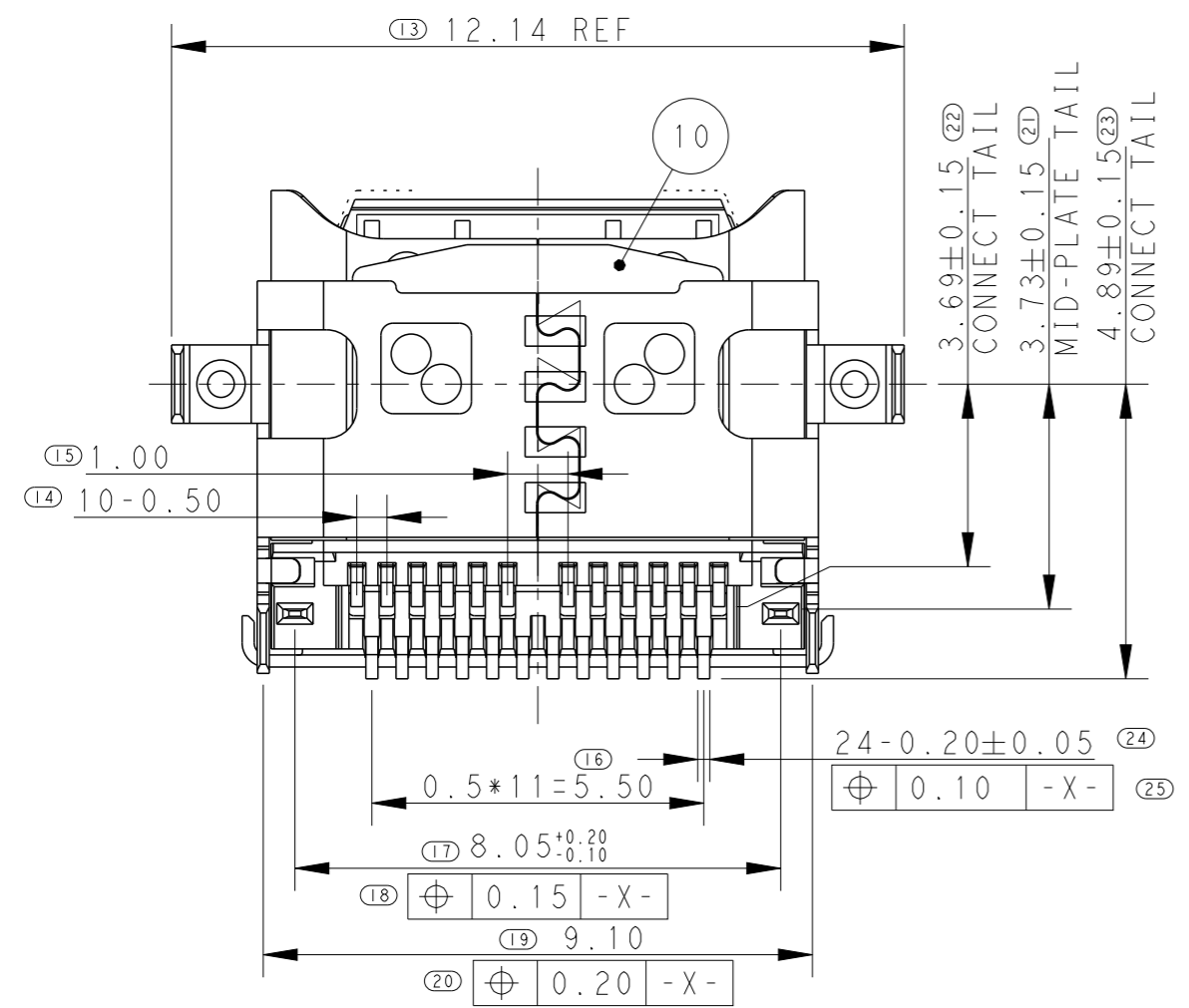
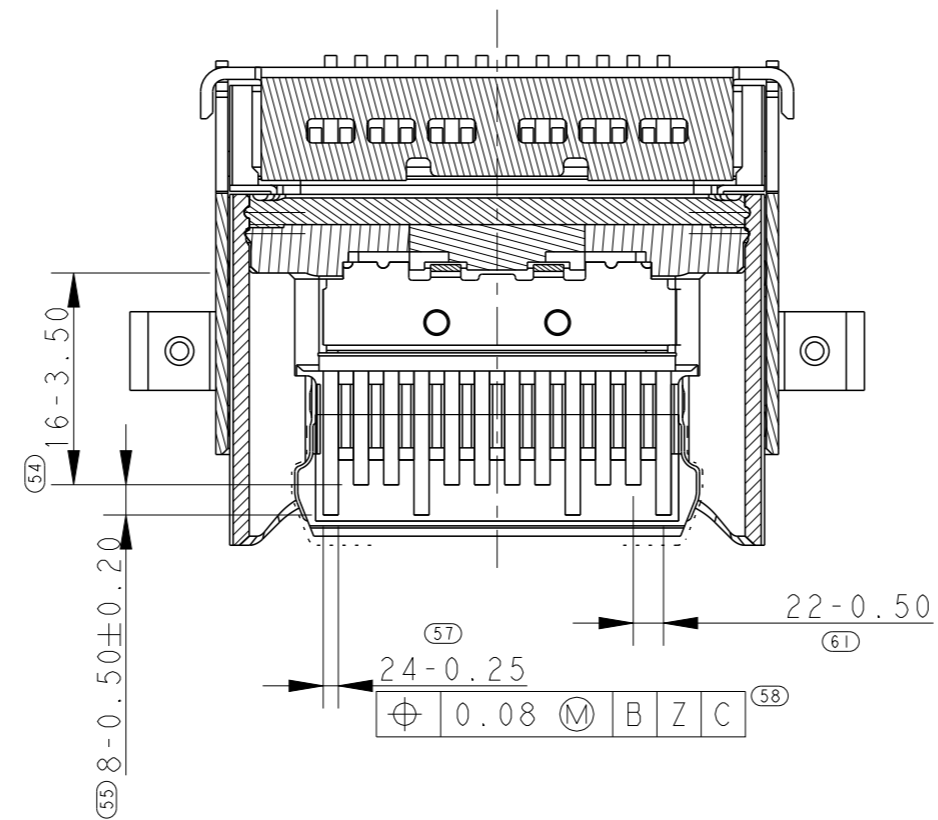
REVISIONS

P	LTR	DESCRIPTION	DATE	DWN	APVD
-	-	SEE SHEET 1	-	-	-


SHOWN AS; 2295018-2



SECTION Y - Y



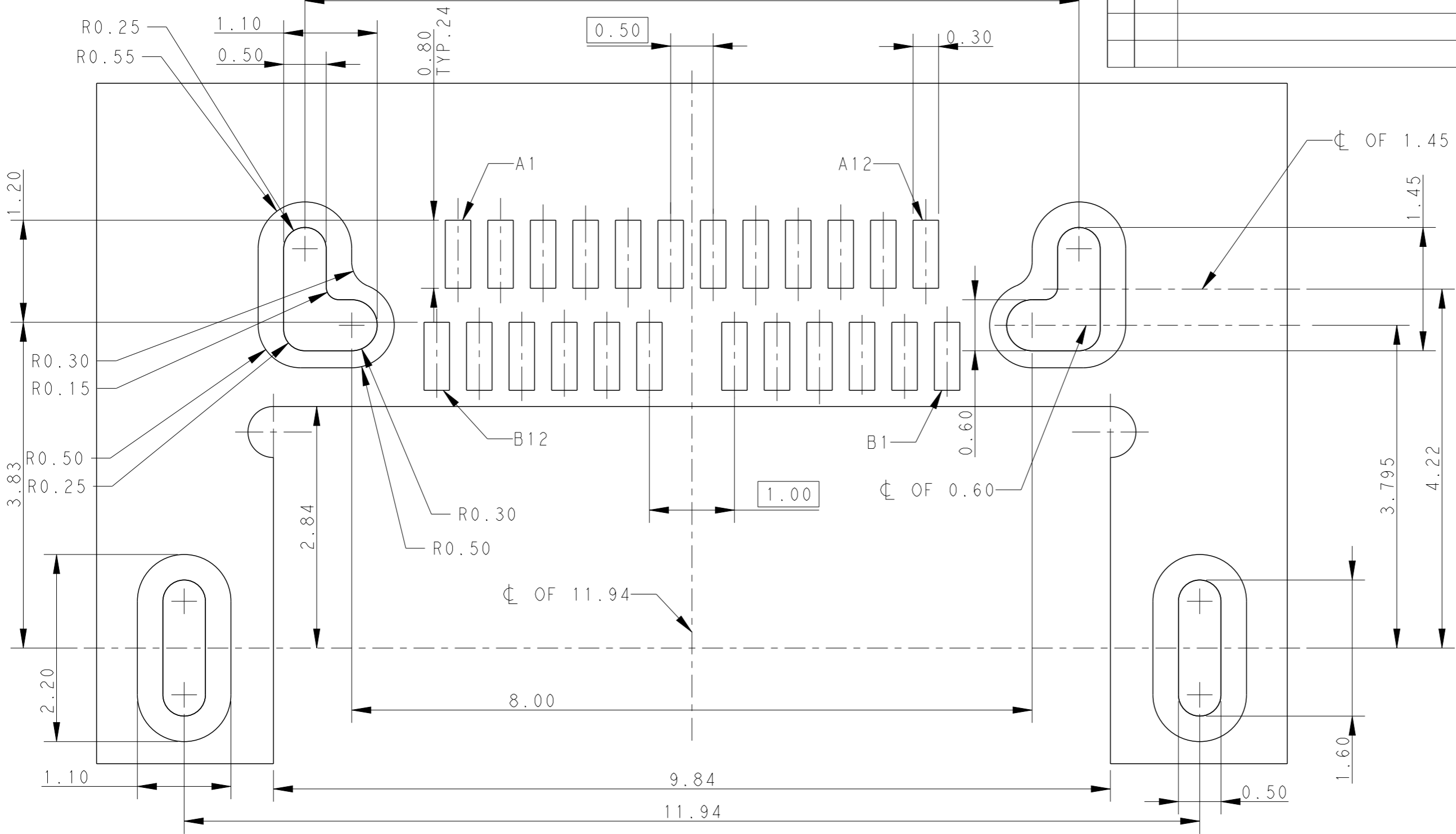
SECTION X - X

THIS DRAWING IS A CONTROLLED DOCUMENT.		DWN S.ZH 18AUG2015	 TE Connectivity	NAME	
DIMENSIONS: mm		CHK H.WU 18AUG2015		USB C, RECEPTACLE, DUAL ROW SMT, OFFSET 0.65MM	
TOLERANCES UNLESS OTHERWISE SPECIFIED:		APVD H.WU 18AUG2015		-	
0 PLC ±0.25 1 PLC ±0.25 2 PLC ±0.25 3 PLC ±0.25 4 PLC ±0.25 ANGLES ±3°		PRODUCT SPEC 108-115109		SIZE A3	CAGE CODE -
MATERIAL SEE DRAWING		APPLICATION SPEC -	DRAWING NO C-2295018	RESTRICTED TO -	SCALE NA
-		WEIGHT -	SHEET 2 OF 4	REV 8	
-		CUSTOMER DRAWING			

THIS DRAWING IS UNPUBLISHED. RELEASED FOR PUBLICATION 20
© COPYRIGHT 20 BY - ALL RIGHTS RESERVED.

REVISIONS					
P	LTR	DESCRIPTION	DATE	DWN	APVD
-	-	SEE SHEET 1	-	-	-

SHOWN AS; 2295018-2, 1-2295018-2
9.10



ONLY REFERENCE PCB LAYOUT(TOP VIEW)
THICKNESS: 0.80MM
GENERAL TOLERANCE: ±0.03

SCALE 20:1

RECEPTACLE PIN LABEL:

A1	A2	A3	A4	A5	A6	A7	A8	A9	A10	A11	A12
GND	TX1+	TX1-	VBUS	CC1	D+	D-	SBU1	VBUS	RX2-	RX2+	GND
GND	RX1+	RX1-	VBUS	SBU2	D-	D+	CC2	VBUS	TX2-	TX2+	GND
B12	B11	B10	B9	B8	B7	B6	B5	B4	B3	B2	B1

THIS DRAWING IS A CONTROLLED DOCUMENT.	
DIMENSIONS: mm	TOLERANCES UNLESS OTHERWISE SPECIFIED:
	0 PLC ±0.25
	1 PLC ±0.25
	2 PLC ±0.25
	3 PLC ±0.25
	4 PLC ±0.25
	ANGLES ±3°
MATERIAL SEE DRAWING	FINISH

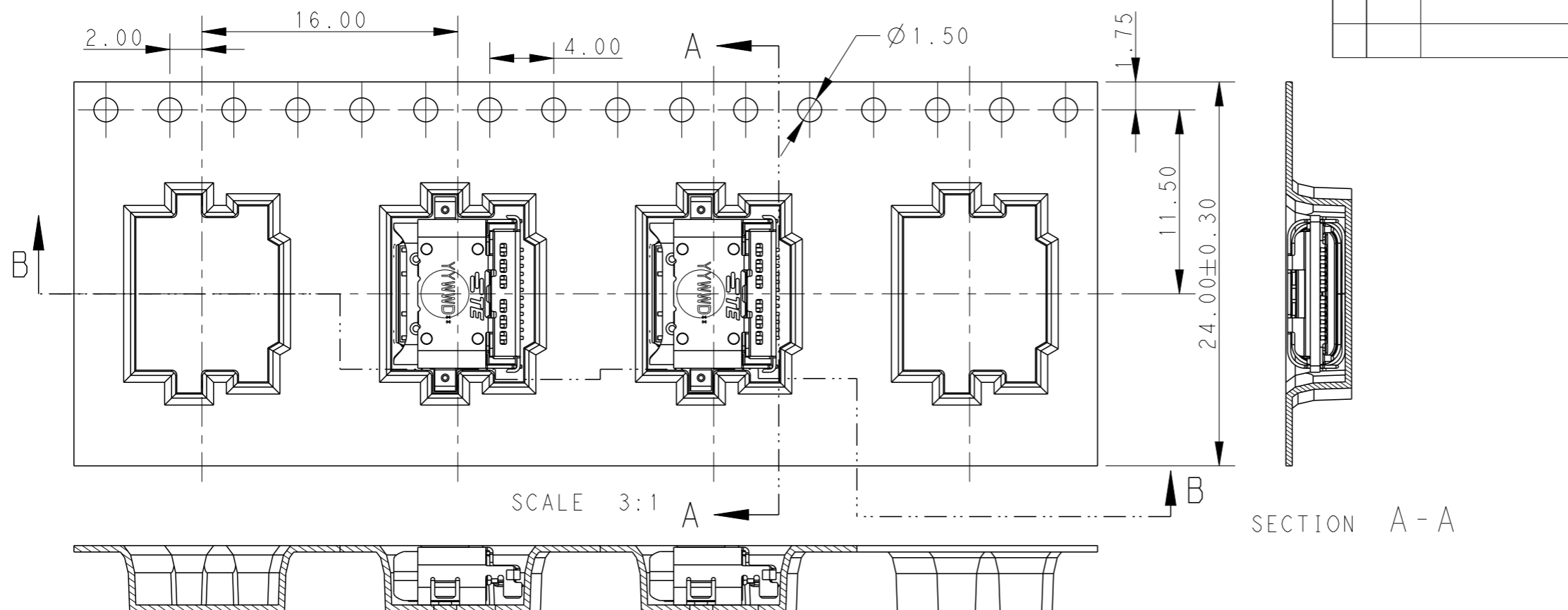
DWN	S.ZH	18AUG2015
CHK	H.WU	18AUG2015
APVD	H.WU	18AUG2015
PRODUCT SPEC	108-115109	
APPLICATION SPEC	-	
WEIGHT	-	
CUSTOMER DRAWING		

		TE Connectivity	
		NAME USB C, RECEPTACLE, DUAL ROW SMT, OFFSET 0.65MM	
SIZE	CAGE CODE	DRAWING NO	RESTRICTED TO
A3	-	©-2295018	-
SCALE		SHEET	REV
NA		3 OF 4	8

P	LTR	DESCRIPTION	DATE	DWN	APVD
-	-	SEE SHEET 1	-	-	-

SHOWN AS; 2295018-2, 1-2295018-2

CUSTOMER FEED DIRECTION →

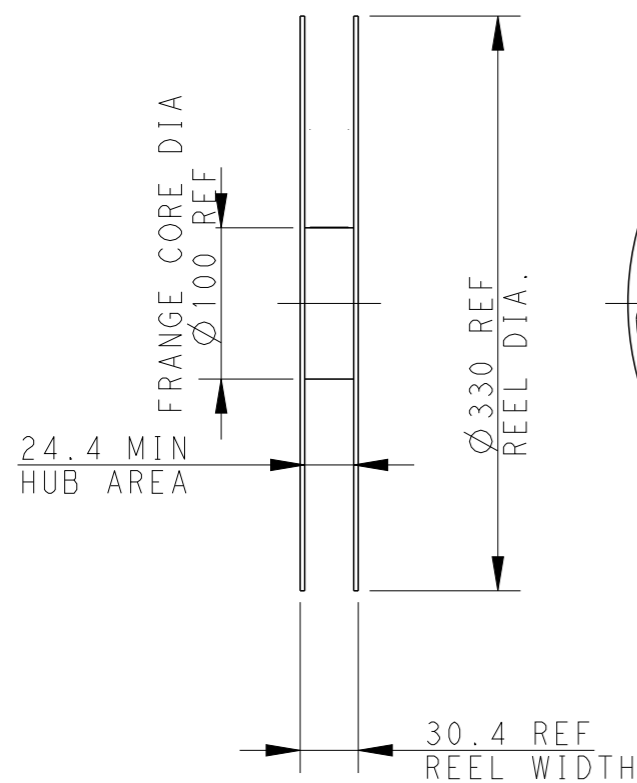


SCALE 3:1

SECTION A - A

SECTION B - B

USER PULL OUT DIRECTION →



WITHOUT CHARGE 15PCS REF WITH PRODUCT CHARGE 900PCS WITHOUT CHARGE 10PCS REF

THIS DRAWING IS A CONTROLLED DOCUMENT.

DWN S.ZH 18AUG2015

CHK H.WU 18AUG2015

APVD H.WU 18AUG2015

PRODUCT SPEC 108-115109

APPLICATION SPEC -

WEIGHT -

CUSTOMER DRAWING



NAME USB C, RECEPTACLE, DUAL ROW SMT, OFFSET 0.65MM

SIZE A3 CAGE CODE - DRAWING NO C-2295018 RESTRICTED TO -

SCALE NA SHEET 4 OF 4 REV 8

DIMENSIONS: mm

TOLERANCES UNLESS OTHERWISE SPECIFIED:

- 0 PLC ±0.25
- 1 PLC ±0.25
- 2 PLC ±0.25
- 3 PLC ±0.25
- 4 PLC ±0.25
- ANGLES ±3°
- FINISH -

MATERIAL SEE DRAWING