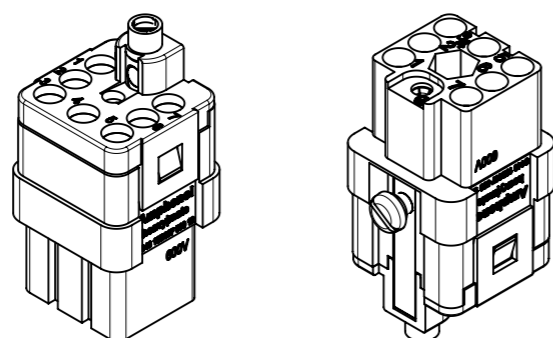
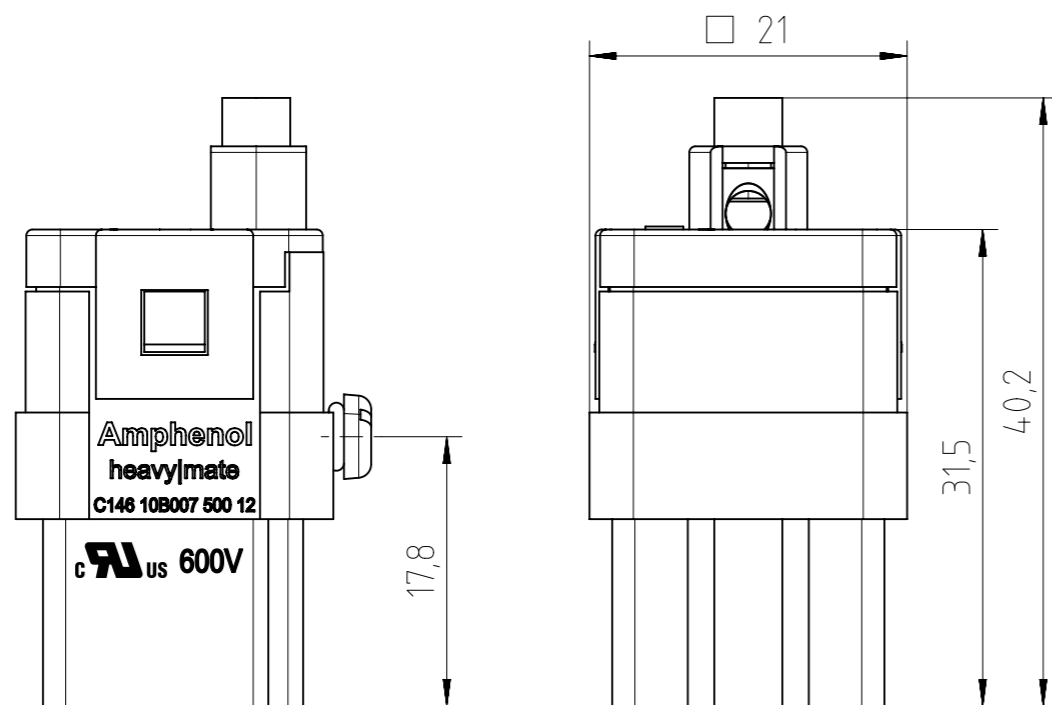
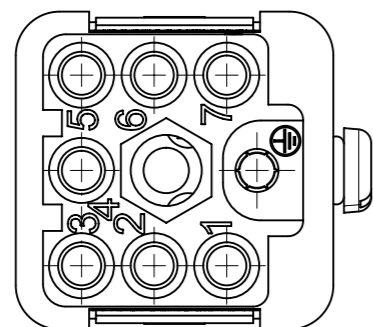


Characteristics



General Characteristics	Standard	Value
number of contacts		7 + PE
termination technique		crimp
wire gauge		0,14 mm <sup>2</sup> - 2,5 mm <sup>2</sup> AWG 26 - AWG 14
max. insulation diameter		4,6 mm
flammability	UL 94	V-0
Electrical Characteristics	Standard	Value
rated voltage	IEC 60664-1	400 V (UL/CSA: 600 V)
pollution degree	IEC 60664-1	3
installation (overvoltage) category	IEC 60664-1	3
material group	IEC 60664-1	3b
rated impulse withstand voltage	IEC 60664-1	6 kV
rated current T <sub>amb</sub> = 40 °C		10 A
current carrying capacity	IEC 60512-5-2	see derating curve
contact resistance	IEC 60512-2-1	≤ 5 mΩ
insulation resistance	IEC 60512-3-1	≥ 10 <sup>10</sup> Ω
Climatical Characteristics	Standard	Value
climatic category	IEC 60068-1	40 / 125 / 21
upper temperature	IEC 60512-11-9	+125 °C
lower temperature	IEC 60512-11-10	-40 °C
Mechanical Characteristics	Standard	Value
mechanical operation	IEC 60512-9-1	≥500 mating cycles
Materials	Standard	Value
insert		PC-GF
contacts		CuZn (brass)
contact plating		Ag (silver)/Au (gold)
color		grey

passende Kodierelemente VN17 059 0002 X (10 Stk.)

Gewicht (errechnet) / Calc WT: 16 g		Zul. Abw./Tolerances:		Maßstab / Scale: 2:1 (1:1)		A3			
Prüfmaß / Testdimension		ISO 2768-m		CUSTOMER DRAWING		Buchseneinsatz 7-Pol		socket insert 7 pole	
Teileindex / Partindexnumber:		DIN / ISO 13715							
Bagatelle change:		Gez. 18.09.2013		M C146 10B007 500 12		Blatt / Sheet 1		1 Bl.	
		Drawn DSC-MIG							
		Status Released							
		Gepr. 08.09.2017		Ers. f. / Replacement for: M-C146 10B007 500 12 Rev.01					
		Checked MGRIMM							
02 201700257		01.09.2017 PWOLF		Amphenol Tuchel Industrial GmbH					
Index Änderung / Description		Datum / Date Name							

Alle technischen Daten wurden unter Laborbedingungen ermittelt und können im Praxisbetrieb abweichen. Es handelt sich bei den Angaben weder um Beschaffenheits- noch um Haltbarkeitsgarantien. All technical data have been measured in a laboratory environment and can be different during practical usage of the product. Any product information is for descriptive usage only and not legally binding; particularly the information does not constitute or provide any legal guarantees ("Beschaffenheitsgarantie" or "Haltbarkeitsgarantie").

Copying of this document and giving it to others and the use or communication of the contents thereof, are forbidden without express authority. Offenders are liable to the payment of damages. All rights are reserved in the event of the grant of a patent or the registration of the utility model or design.

Weitergabe sowie Vervielfältigung dieser Unterlage, Verwertung und Mitteilung ihres Inhalts nicht gestattet, soweit nicht ausdrücklich zugestanden. Zuwiderhandlungen verpflichten zu Schadensersatz. Alle Rechte für den Fall der Patenterteilung oder Gebrauchsmuster-Ertragung vorbehalten.

NXM-V02