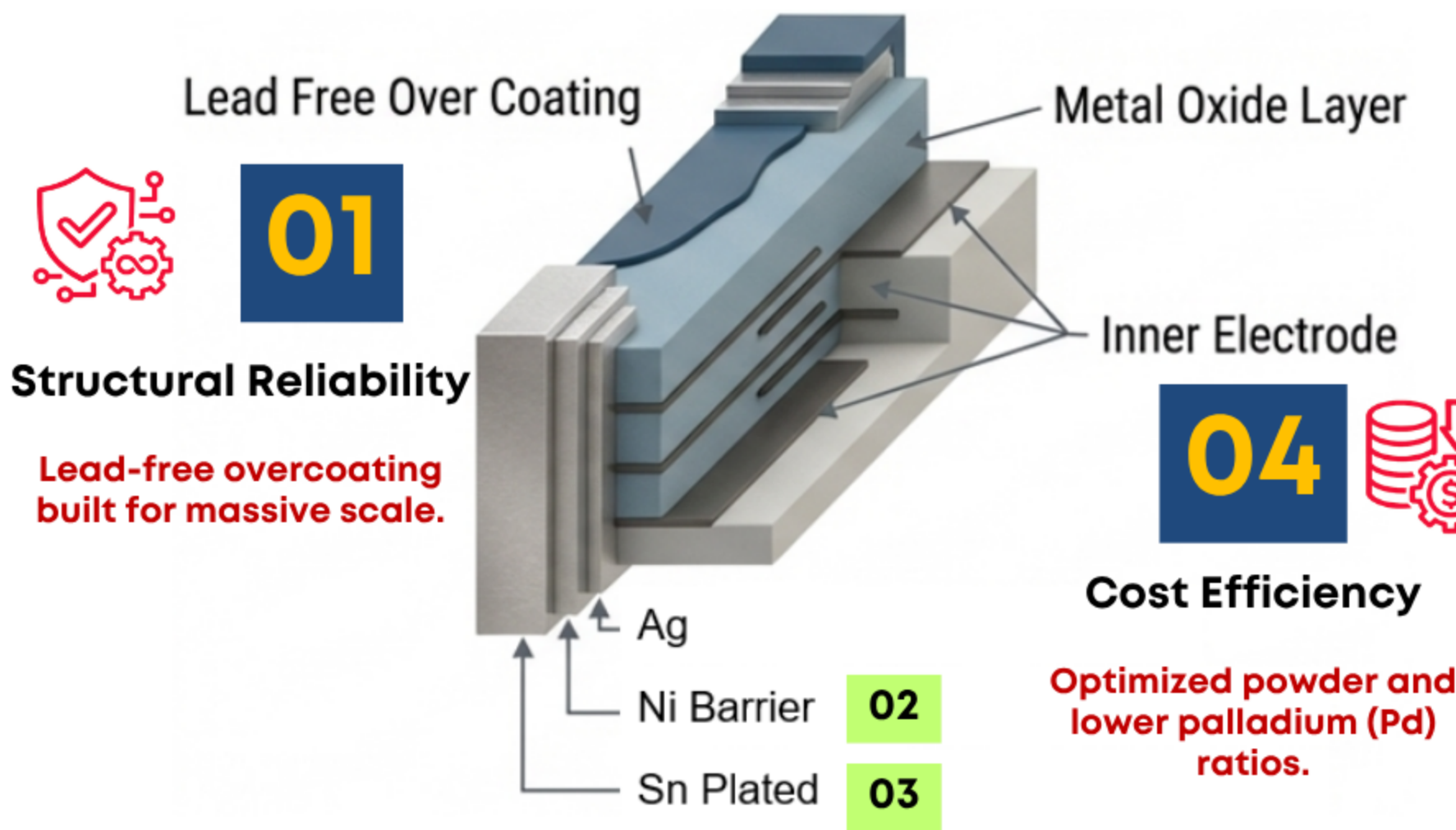


# Overcoming SMD Varistor Challenges in 5G Base Station

## MLVS 2220 Series

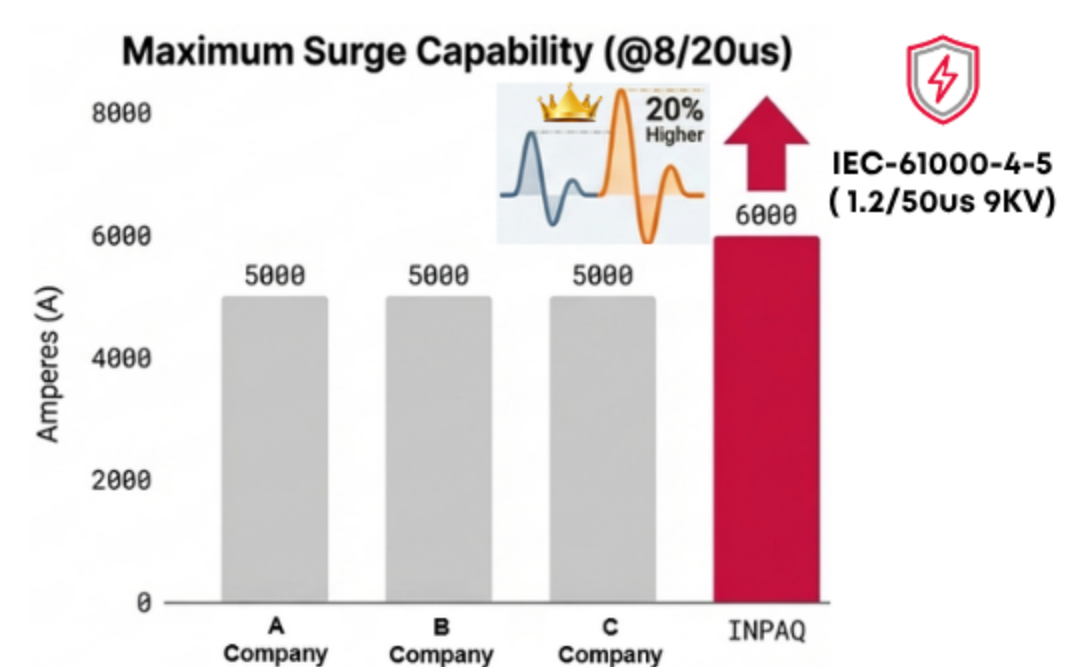
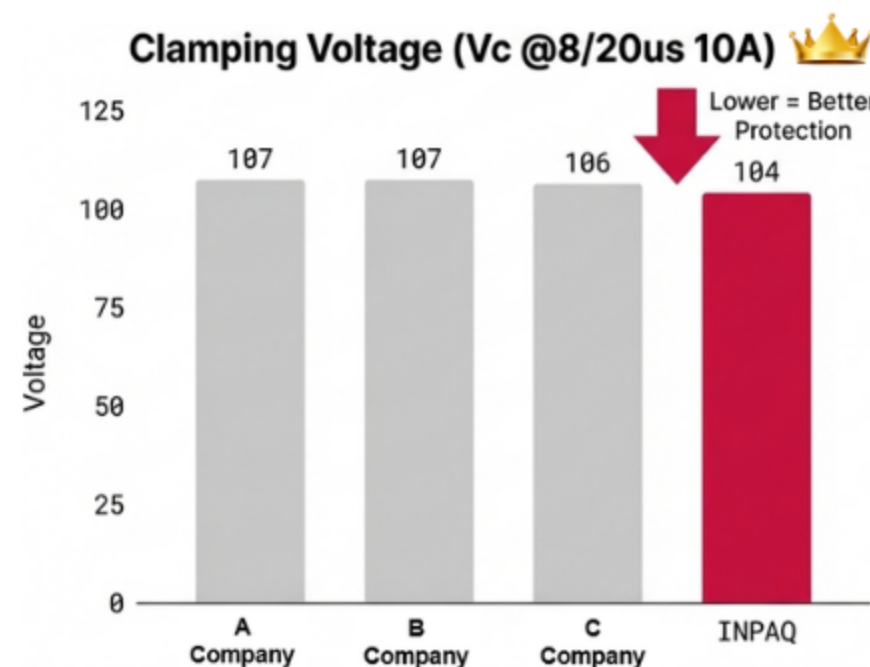
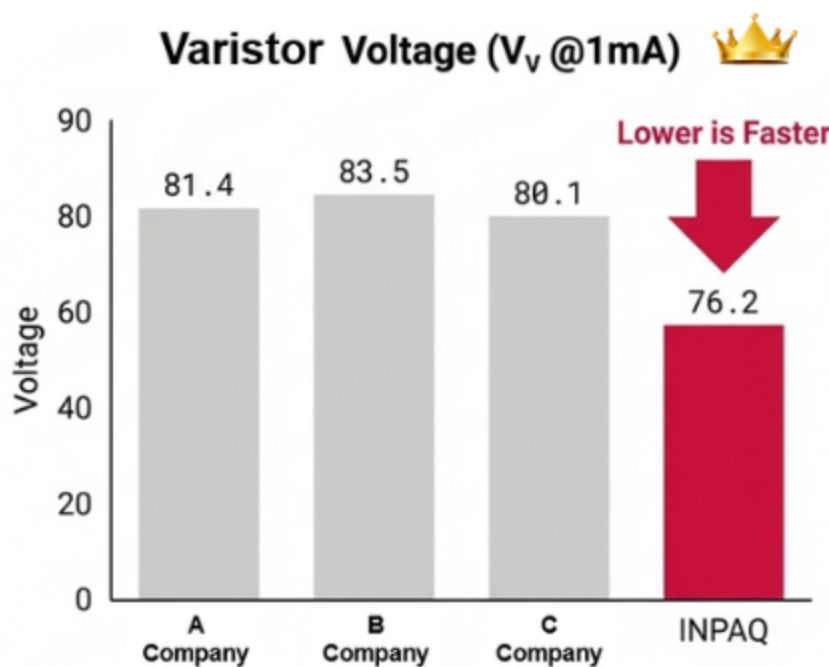
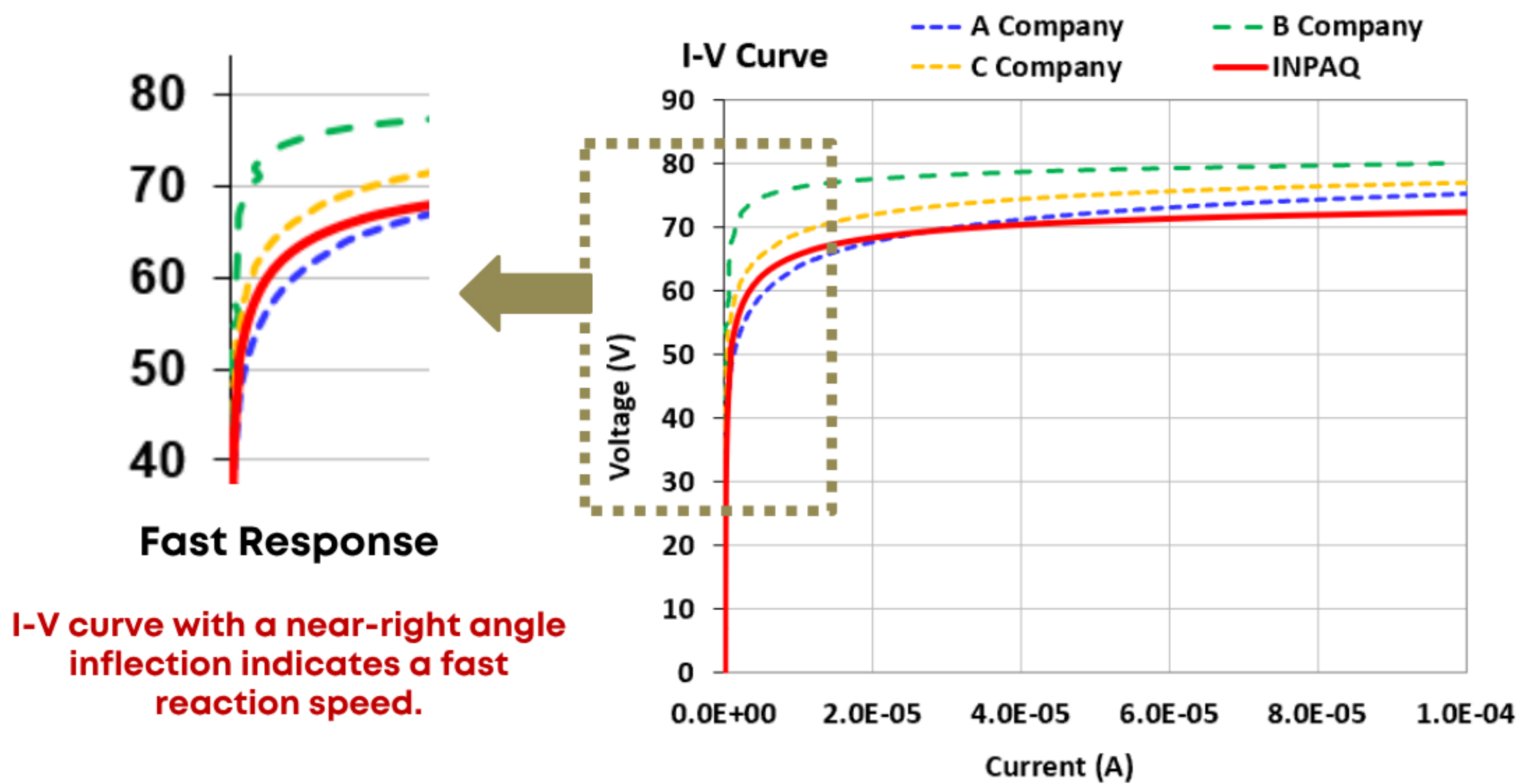
### Advanced Structure & Material Innovation



Brand	01	02	03	04
A Company		X	X	Ag/Pd 7x/2x
B Company		V	V	Ag/Pd 9x/1x
C Company		V	V	Ag/Pd 9x/xx
INPAQ		V	V	Ag/Pd 9x/xx

### Competitive Performance & Advantages

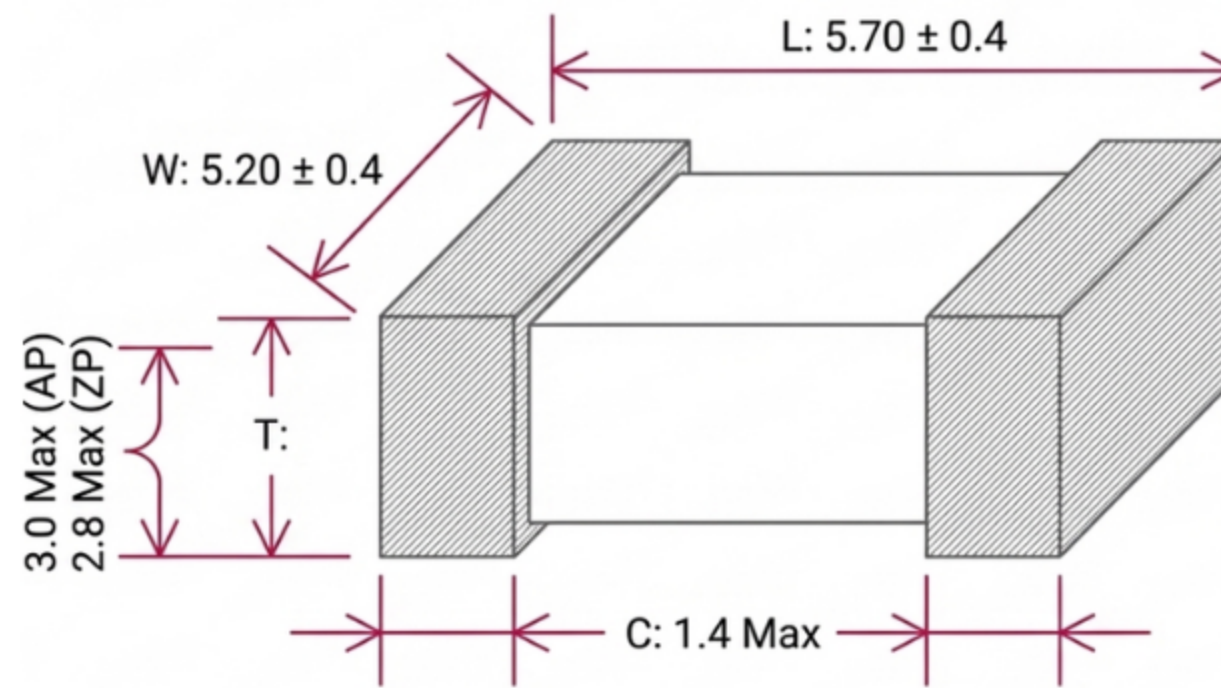
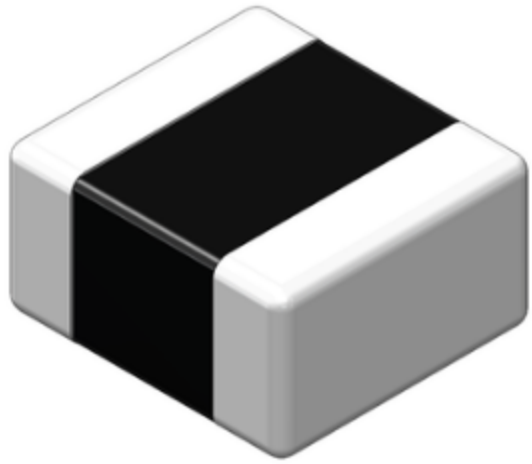
#### INPAQ PN MLVS2220ZP50842



# Overcoming SMD Varistor Challenges in 5G Base Station

## MLVS 2220 Series

### Product Dimension



Unit : mm

### Specifications

P/N	VRMS	VDC	VV (V) (@1mA)	Vc (V) (@8/20us 10A)	Cp (pF)	Surge (A) (@8/20us)
MLVS2220AP14143	14	16	21.4~27.8	60	14000	1500
MLVS2220AP30502	30	38	42.3~51.7	82	5000	1200
MLVS2220ZP45942	45	58	64.4~74.1	110	9400	4500
MLVS2220ZP50852	50	63	69.3~84.7	115	8500	4500
MLVS2220ZP50842	50	65	73.8~90.2	135	8400	4500
MLVS2220AP50212	50	65	73.8~90.2	135	2100	1200
MLVS2220AP60172	60	85	90~110	165	1700	800

	Surge Standard	Waveform	IR (ohm)	Voltage	Surge Standard	Waveform	IR (ohm)	Voltage
	IEC-61000-4-5	1.2/50us	2	9KV	IEC-61000-4-5 Level 4	1.2/50us	2	4KV ± 5 times
	GR-1089	1.2/50us	0.5	2.25KV	IEC-61000-4-5 Level 4	10/700us	40	4KV ± 5 times

### Product Applications



IEC-61000-4-5  
(1.2/50us 9KV)



IEC-61000-4-5  
Level 4  
(4KV ± 5 times)



GR-1089  
Telecommunications  
Standard



5G RAN



POE Switch



Industrial PC