



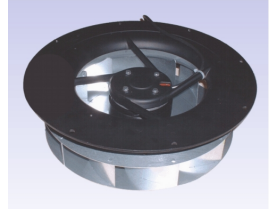
2RREu25 220x45R (115V-Inv) C45-A6 p



DATA SHEET

release. h - Revision 08-2018

| Voltage | Frequency | Input Power | Input Current | Capacitor | Airflow | Rotation speed | Acoustic level | Direction rotation | Admissible Temperature |
|---------|-----------|-------------|---------------|-----------|---------|----------------|----------------|--------------------|------------------------|
| V | Hz | W | A | µF | m³/h | RPM | dBA | ↻ | Min/Max |
| 115 | 50 | 100 | 0,88 | 10,0 | 885 | 2620 | 67 | R | -40°C / +70°C |
| 115 | 60 | 144 | 1,26 | 10,0 | 940 | 2810 | 69 | R | -40°C / +70°C |
| 115 | 50 | | | | 520 CFM | | | | -40°F / 158°F |
| 115 | 60 | | | | 553 CFM | | | | -40°F / 158°F |



dBa : free blowing

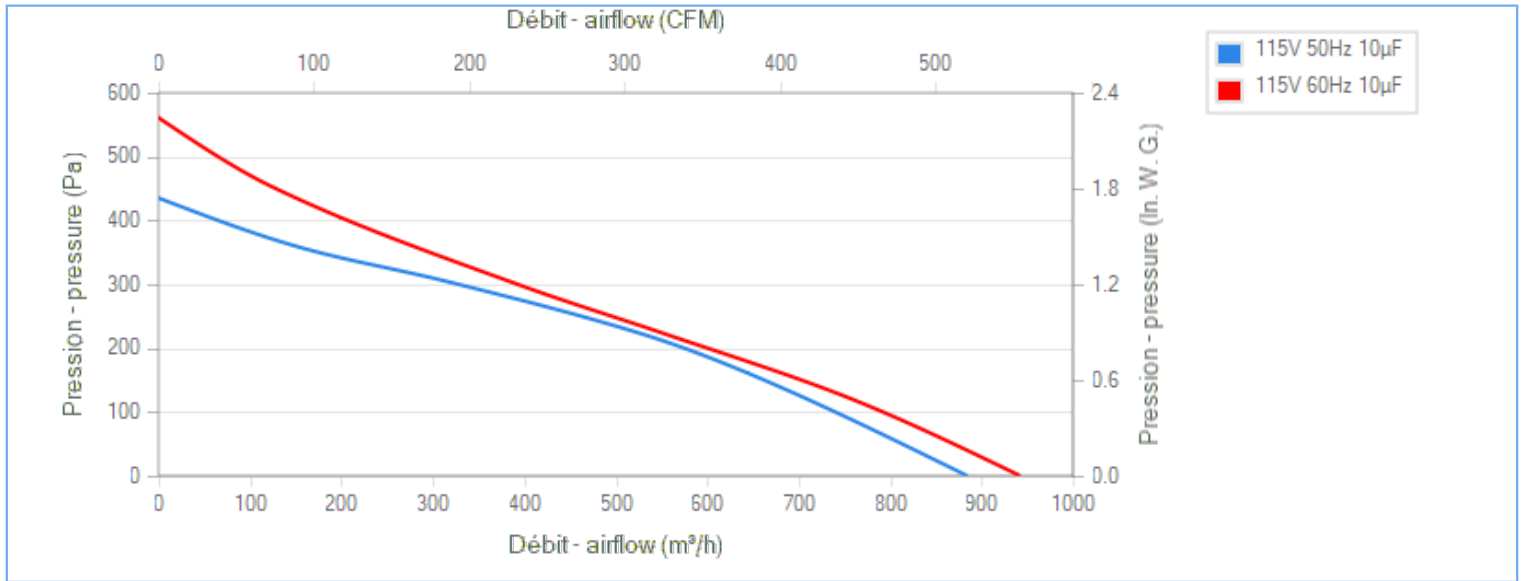
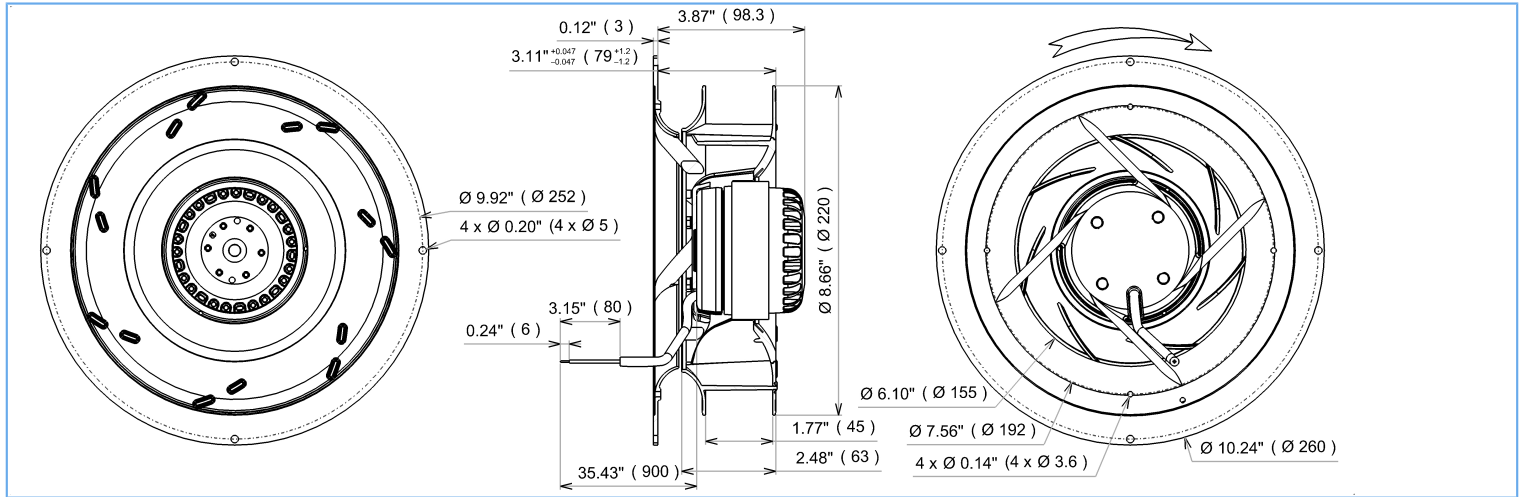
NA : not applicable

ErP 2013

NA

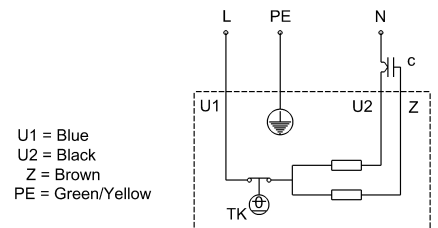
ErP 2015

NA



Description

- .Weight : 2,2 Kg
- .Ball bearing
- .Insulation Class F
- .IP44 protection depending on installation and position as per EN60034-5
- .G2.5 balancing
- .PA 6/6 UL 94 V-0 plastic impeller
- .Rotor : black paint
- .Black painted aluminium reversed-inletcone
- .Motor - UL Recognized component





2RREu25 220x45R (115V-Inv) C45-A6 p



DATA SHEET

release. h - Revision 08-2018

Data in accordance to ErP directive

| | | |
|---------------------------------|-------|----------------------------------|
| Voltage | 115 | V |
| Frequency | 50 | Hz |
| Power | 0,114 | kW ⁽¹⁾ |
| Airflow | 521 | m ³ /h ⁽¹⁾ |
| Pressure | 226 | Pa ⁽¹⁾ |
| Rotation speed | 2504 | RPM ⁽¹⁾ |
| (1) at optimal efficiency point | | |

ErP directive (EU 2009/125/EC) not applicable :
Power at optimum energy efficiency point

Accessories

- 19223
- 19223
- 21194

Measurement setup

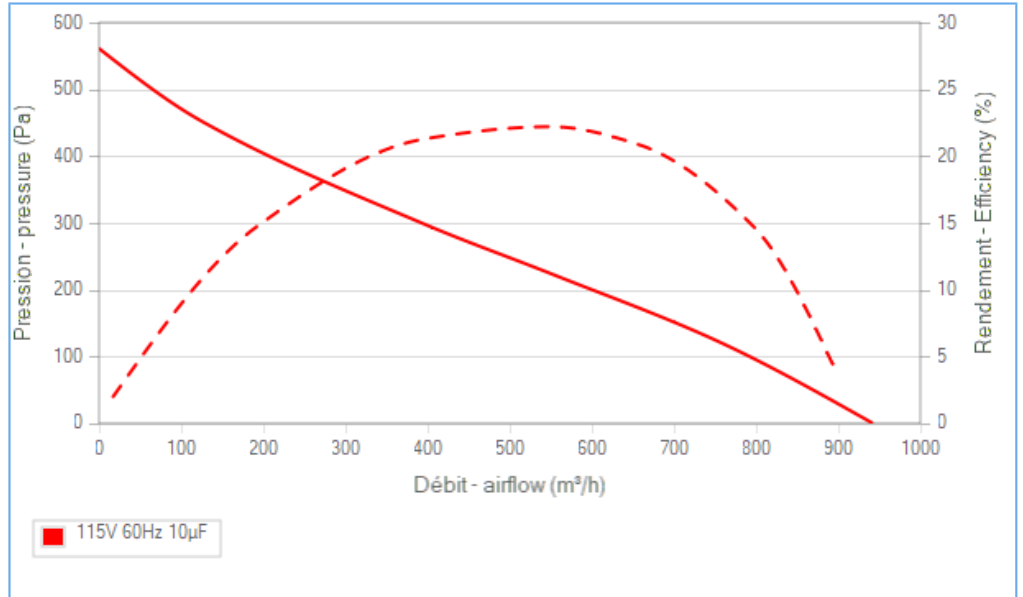
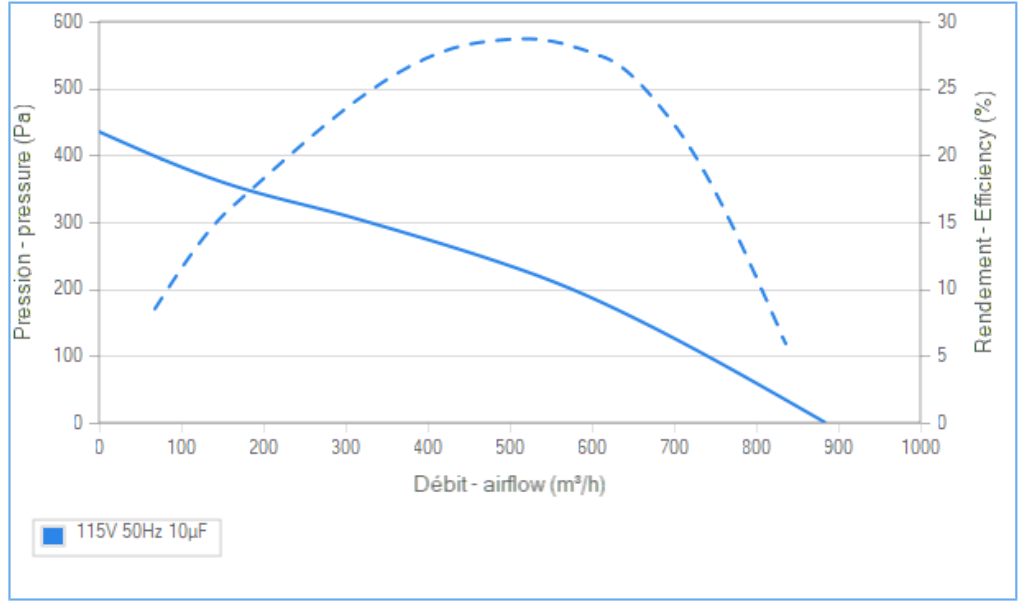
16195 M05-022 Ouie support moteur Ø155inter
Ø260ext moulée Alu NOIRE

Documents

- Manuel d'utilisation
www.ecofit.com/site/normes
- Operating and recycling manual
www.ecofit.com/anglais/normes



UL2111 (XEW2,8)
N° file E135223
2RS925



Non contractual document. All specifications are subject to change without prior notice. Picture for information only.