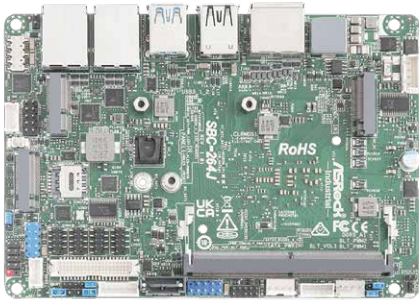


# SBC-264J

## 3.5" SBC Motherboard



### KEY FEATURES

- Intel® Alder Lake-N Processors
- 1 x 262-pin SO-DIMM DDR5 4800 MHz, up to 32GB
- 3 x USB 3.2 Gen2, 5 x USB 2.0, 1 x M.2 Key E, 1 x M.2 Key M, 1 x M.2 Key B, 4 x COM, 1 x SATA3
- 2 x Realtek 2.5 Gigabit LAN
- Supports Triple display, 2 x HDMI 2.0b, 1 x LVDS or eDP
- 9~36V DC-In



### SPECIFICATIONS

#### Form Factor

Dimensions	3.5" SBC (5.8-in x 4-in x 1.02-in, 14.7 cm x 10.2 cm x 2.60 cm)
------------	---

#### Processor System

CPU	Intel® Alder Lake-N SoC Processors SBC-264J (N97, QC, Max Speed Up to 3.6GHz, 12W) <small>*For other CPU SKUs request, please contact regional Sales for availability</small>
BIOS	AMI SPI 256 Mbit

#### Memory

Technology	Single Channel DDR5 4800 MHz
Capacity	32GB
Socket	1 x 262-pin SO-DIMM

#### Graphics

Controller	Intel® UHD Graphics
HDMI	HDMI 2.0b Max resolution up to 4096 x 2160@60Hz
LVDS	Dual channel 24 bit up to 1920 x 1200@60Hz (Connector shared with eDP)
eDP	Max resolution up to 1920 x 1080@60Hz (Connector shared with LVDS)
MultiDisplay	Triple display

#### Expansion Slot

M.2	1 x M.2 (Key E, 2230) with PCIe Gen3 x1, USB 2.0 and CNVi for Wireless 1 x M.2 (Key B, 3042/3052) with PCIe Gen3 x1, USB 2.0 and SIM for 4G/5G
SIM Socket	1 x SIM socket connected to M.2 key B

#### Audio

Interface	Realtek ALC256 HD, High Definition Audio.
-----------	---

#### Ethernet

Controller/ Speed	LAN1: Realtek RTL8125BG with 10/100/1000/2500 Mbps LAN2: Realtek RTL8125BG with 10/100/1000/2500 Mbps
Connector	2 x RJ-45

#### Rear I/O

HDMI	2 x HDMI 2.0b
Ethernet	2 x 2.5 Gigabit LAN
USB	3 x USB 3.2 Gen2 1 x USB 2.0

#### Internal Connector

USB	4 x USB 2.0 (2 x 2.54 pitch header)
COM	COM2, COM3, COM4 (RS-232) COM1 (RS-232/422/485)
GPIO	4 x GPI, 4 x GPO
LVDS	1 (Connector with LVDS/eDP signal, switch by BIOS)
SATA PWR Output	1
Speaker Header	1
I2C Header	1

#### Storage

M.2	1 x M.2 (Key M, 2242/2280) with PCIe Gen3 x1 and SATA3 and USB 2.0 for SSD
SATA	1 x SATA3 (6Gb/s)

#### Security

TPM	TPM Header Intel® PTT
-----	--------------------------

#### Watchdog Timer

Output	From Super I/O to drag RESETCON#
Interval	256 Segments, 0, 1, 2, ...255sec

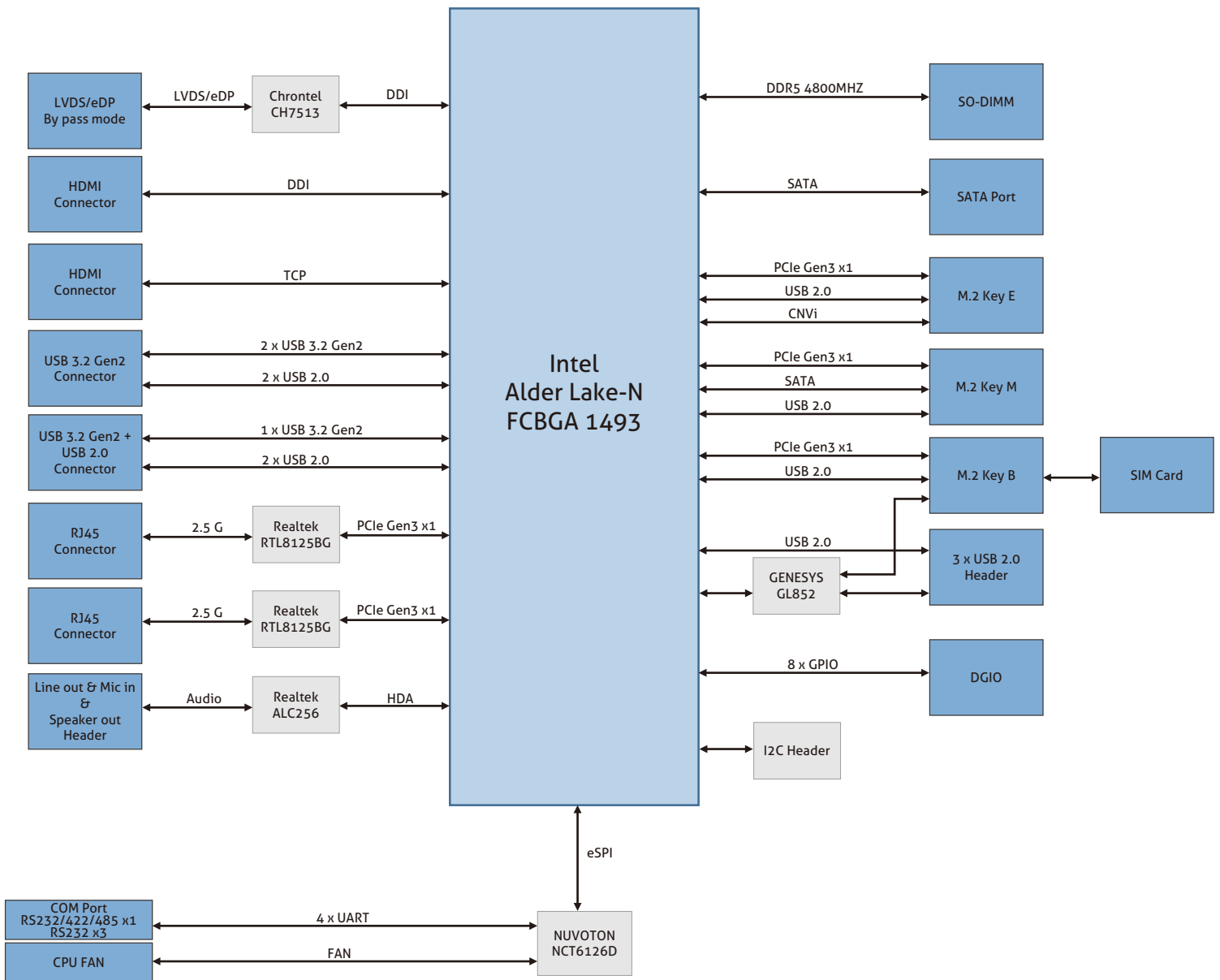
#### Power Requirements

Input PWR	9~36V DC-In 12V DC-In only (BOM option)
Power On	AT/ATX Supported - AT : Directly PWR on as power input ready - ATX : Press button to PWR on after power input ready

#### Environment

Operating Temp	-20°C ~ 70°C
Storage Temp	-40°C ~ 85°C
Operating Humidity	5% ~ 90% (non-condensing)
Storage Humidity	5% ~ 90% (non-condensing)

BLOCK DIAGRAM



## ORDERING INFORMATION

### Ordering Information

Model	SBC-264J
CPU	N97
HDMI	2
LVDS/eDP	1/ (1)
2.5 Gbe LAN	2
COM	4
USB 3.2	3
USB 2.0	5
SATA III	1
M.2 E-Key	1
M.2 B-Key	1
M.2 M-Key	1
TPM	FW TPM

### I/O View



### Packing List (Gift)

Description	Quantity
Heatsink	1
SATA Power Cable	1
COM Cable	2
SATA Data Cable	2
DC-in Cable	1
SCREW M3*2.5	3
2.00mm MINI JUMPER	1

### Packing List (Bulk)

Description	Quantity
SCREW M3*2.5	3
2.00mm MINI JUMPER	1